

27 532 782 Product version from 3/10/2014



- 220mm projection
- spout: rectangular normal flow
- max. flow 27.3 l/min at 3 bar flow pressure
- Hand shower: COMPACT RAIN, max. flow rate 6.8 l/min (at 3 bar)
- complete hand shower set with anti-scale system
- automatic bath/shower diverter
- height of mixer 300 mm
- height up to aerator 170 mm
- hole diameter valve 32 mm
- hole diameter spout 32 mm
- hole diameter for complete hand shower set 32 mm
- rosette for spout 60 x 60mm
- rosette for complete hand shower set 60 x 60mm
- rosette for deck valve 60 x 60mm
- metal shower hose 1750mm with integrated anti-twist protection
- WRAS

Intrinsic protection against back flow.

	Brushed Platinum	27 532 782-06
	Chrome	27 532 782-00
	Platinum	27 532 782-08
	Dark Chrome	27 532 782-19
	Brushed Light Gold (PVD)	27 532 782-27
	Brushed Durabronze (23kt Gold)	27 532 782-28
	Brushed Dark Brass (PVD)	27 532 782-39
	Brushed Bronze (PVD)	27 532 782-42
	Brushed Dark Bronze (PVD)	27 532 782-43
	Brushed Champagne (22kt Gold)	27 532 782-46
	Champagne (22kt Gold)	27 532 782-47
	Brushed Dark Platinum	27 532 782-99

**Recommended miscellaneous**



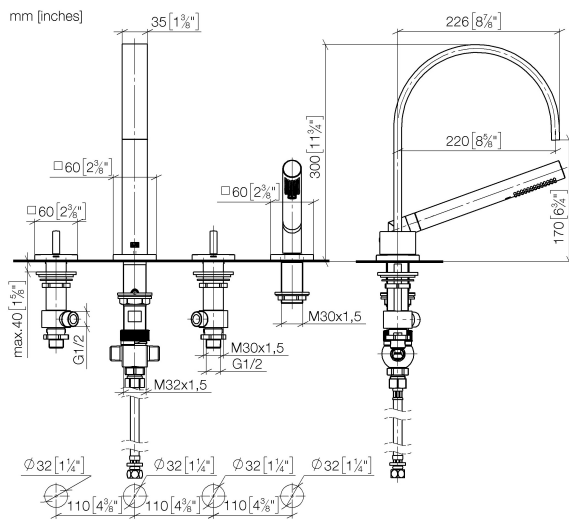
**Perfecto installation kit -** 12 614 970 90

**Recommended miscellaneous**

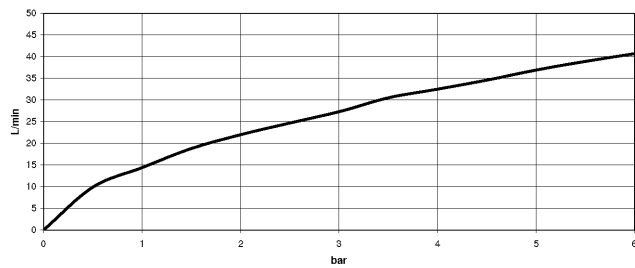


**Decorative caps for Perfecto - Brushed Platinum** 12 801 970-06  
• 1 pair

27 532 782 Product version from 3/10/2014



**Flow rate chart**



**Codes & Standards**

ASME A112.18.1	cUPC	DIN 4109	EN 1717
ISO 3822	Scottish Water Byelaws	UK Water Supply Regulations	Ü-Zeichen



## MEM Bath shower set for bath rim or tile edge installation - Brushed Platinum

MEM

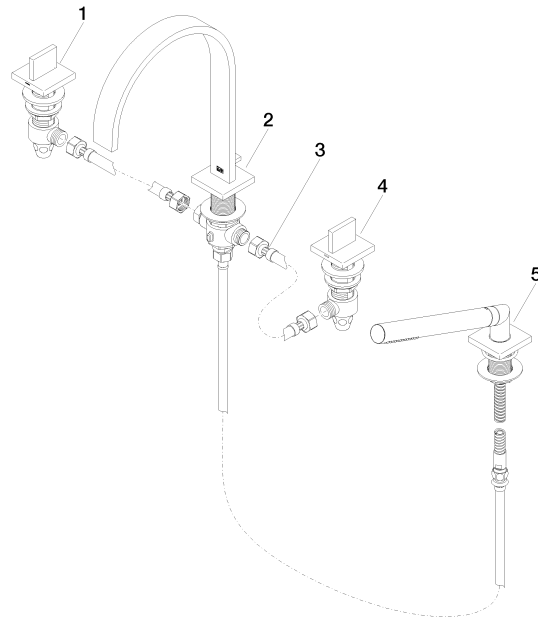
27 532 782 Product version from 3/10/2014

### Certificates and sustainability

---

IAPMO_4976	WRAS_2306	LGA_9	Belgaqua_21-026-2	EPD-DOR-20230287 -IBA1-EN Environmental.prod uct-declarat
------------	-----------	-------	-------------------	--

Belgaqua\_25-341-2



**Spare parts list**

No.	Item Number	Name	Quantity used	Delivery time
4	20 000 782-06	MEM Deck valve clockwise closing cold - Brushed Platinum	1.00	20
1	20 000 783-06	MEM Deck valve anti-clockwise closing hot - Brushed Platinum	1.00	20
5	27 702 980-06	Hand shower set for bath rim or tile edge installation - Brushed Platinum	1.00	20
3	12 502 970 90	High pressure hose 1/2" x 1/2" x 400 mm -	1.00	14
2	90 28 22 268 00-06	Bath spout with diverter for deck mounting - Brushed Platinum	1.00	20