

24 510 360 Product version from 7/31/2009

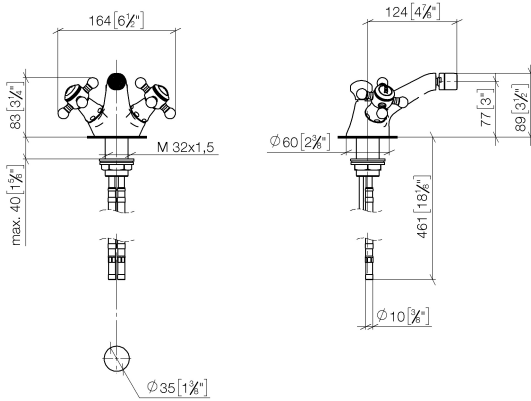


- 125mm projection
- ball-joint pivotable through 15°
- circular, air-enriched flow
- height of mixer 88 mm
- height up to aerator 78 mm
- hole diameter 35 mm
- 2x screw-in M 10 x 1 pressure hose, leak-tested
- max. flow 7 l/min
- WRAS

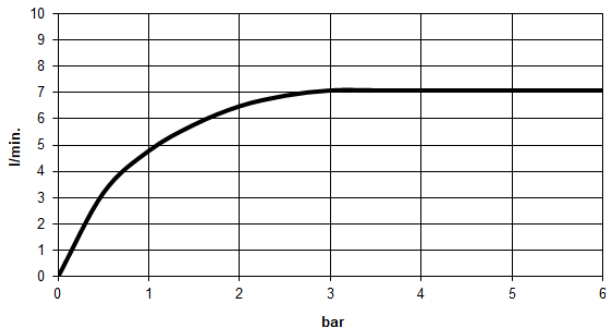
| | | |
|---|-------------------------------|---------------|
|  | Chrome | 24 510 360-00 |
|  | Brushed Platinum | 24 510 360-06 |
|  | Platinum | 24 510 360-08 |
|  | Durabrand (23kt Gold) | 24 510 360-09 |
|  | Brushed Durabrand (23kt Gold) | 24 510 360-28 |
|  | Brushed Gold (PVD) | 24 510 360-37 |
|  | Brushed Dark Brass (PVD) | 24 510 360-39 |
|  | Brushed Bronze (PVD) | 24 510 360-42 |
|  | Brushed Dark Platinum | 24 510 360-99 |

24 510 360 Product version from 7/31/2009

mm [inches]



Flow rate chart



Codes & Standards

Scottish Water
Byelaws

UK Water Supply
Regulations



MADISON Single-hole bidet mixer with pop-up waste - Chrome

MADISON

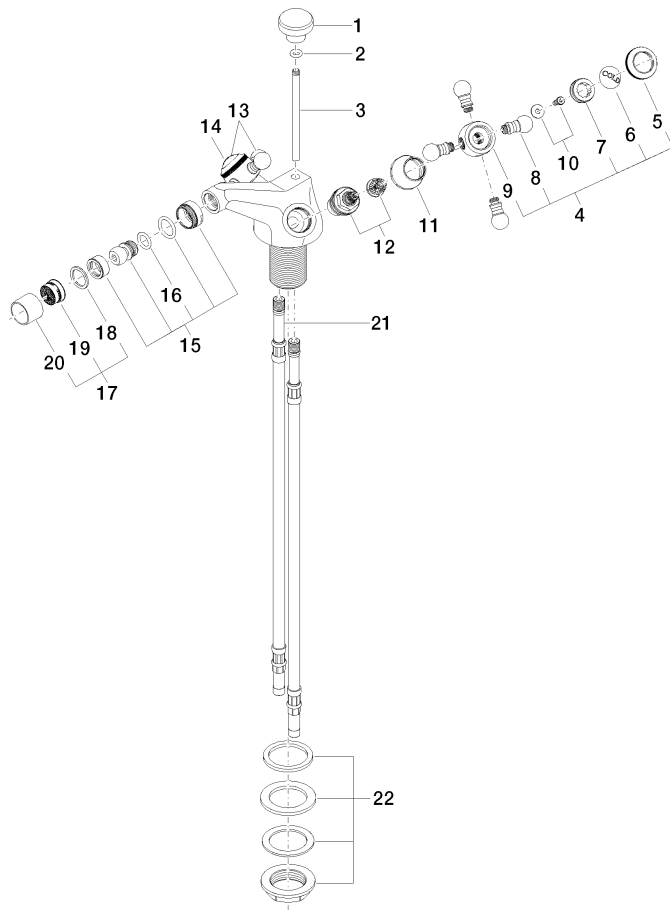
24 510 360 Product version from 7/31/2009

Certificates and sustainability

| | |
|-----------|--|
| WRAS_2310 | EPD-DOR-20230287 -IBA1-EN Environmental.prod uct-declarat |
|-----------|--|

24 510 360 Product version from 7/31/2009

Parts for other finishes can be found here: Brushed Platinum



23 ———— Abteilnummer 04.11.01.001.00-#