

27 806 625 Product version from 4/1/2024 to 6/3/2020



- COMPACT RAIN, max. flow rate 15 l/min (at 3 bar)
- with anti-scale system
- rosette Ø 55 mm
- metal shower hose 1250mm with integrated anti-twist protection
- shower holder rosette Ø 55mm

Notes:

Intrinsic protection against back flow.

Recommended miscellaneous



Concealed wall elbow -

- min. recess depth 90 mm
- max. recess depth 163 mm

35 085 970 90

Recommended miscellaneous

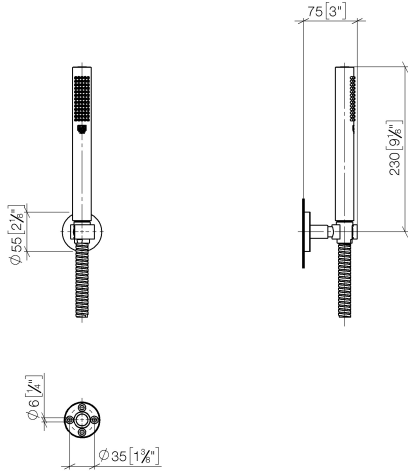


Wall elbow - Chrome

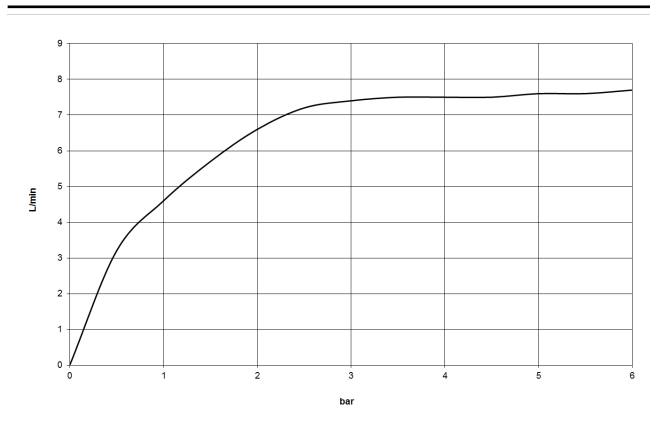
28 450 625-00

27 806 625 Product version from 4/1/2024 to 6/3/2020

mm [inches]



Flow rate chart



Codes & Standards

DIN 4109

ISO 3822

Scottish Water
Byelaws

UK Water Supply
Regulations

Ü-Zeichen



Hand shower set - Chrome

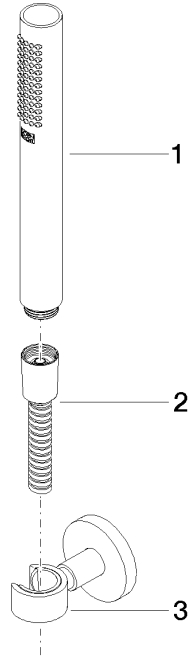
SERIES SPECIFIC

27 806 625 Product version from 4/1/2024 to 6/3/2020

Certificates and sustainability

LGA_29

WRAS_2209



Spare parts list

| No. | Item Number | Name | Quantity used | Delivery time |
|-----|--------------------|--|---------------|---------------|
| 3 | 28 050 625-00 | Wall bracket - Chrome | 1.00 | 20 |
| 2 | 90 30 02 072 00-00 | Metal shower hose 1/2" x 3/8" x 1250 mm - Chrome | 1.00 | 20 |
| 1 | 90 12 11 140 40-00 | Bar-type hand shower 15 l/min. - Chrome | 1.00 | - |

Spare part can no longer be ordered, please order the replacement item