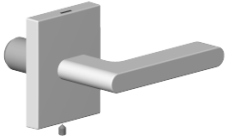



Handle for basin Hot Lever 60 x 47,5 x 40 mm - Brushed Light Gold (PVD)

SPARE PARTS

90 20 70 057 02 Product version from 7/1/2022



	Brushed Light Gold (PVD)	90 20 70 057 02-27
	Chrome	90 20 70 057 02-00
	Brushed Platinum	90 20 70 057 02-06
	Dark Chrome	90 20 70 057 02-19
	Brushed Durabronze (23kt Gold)	90 20 70 057 02-28
	Brushed Gold (PVD)	90 20 70 057 02-37
	Brushed Bronze (PVD)	90 20 70 057 02-42
	Brushed Champagne (22kt Gold)	90 20 70 057 02-46
	Champagne (22kt Gold)	90 20 70 057 02-47
	Brushed Dark Platinum	90 20 70 057 02-99



Handle for basin Hot Lever 60 x 47,5 x 40 mm - Brushed Light Gold (PVD)

SPARE PARTS

90 20 70 057 02 Product version from 7/1/2022



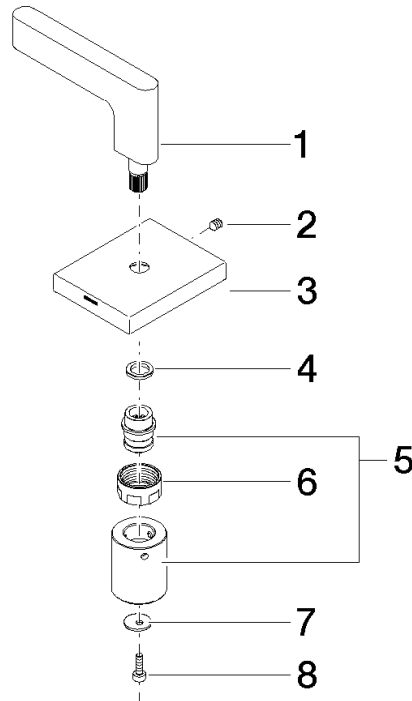
Handle for basin Hot Lever 60 x 47,5 x 40 mm - Brushed Light Gold (PVD)

SPARE PARTS

90 20 70 057 02 Product version from 7/1/2022

90 20 70 057 02 Product version from 7/1/2022

Parts for other finishes can be found here: [Chrome](#)



Spare parts list

No.	Item Number	Name	Quantity used	Delivery time
8	09 30 11 193 90	Disc with tothing Ø 12 x 1 mm -	1.00	14
2	90 31 11 007 00 90	Mounting Threaded pin with hexagon socket M4 x 6 mm -	1.00	14
6	09 23 30 074 90	Mounting Nut M16 x 1 -	1.00	14
9	09 30 30 167 90	Mounting Cylinder head screw with hexagon socket M3 x 10 mm -	1.00	14
4	09 14 03 187 90	Ring -	1.00	14
1	09 20 70 057-27	Handle Lever 85 x 58,5 x 11 mm - Brushed Light Gold (PVD)	1.00	82
3	09 27 70 002-27	Rosette Hot 47,5 x 9 x 60 mm - Brushed Light Gold (PVD)	1.00	82
5	90 12 12 222 00 90	Fixing cap -	1.00	14