

Luminaire Property

Luminaire: 140-085

Report NO.:

Test NO.:

Lamp: CREE 1507-37V-3000K

Sum Lumens: 1083.5 lm

Number of Lamps: 1

Diameter: 200mm

Length: mm

Photometric Type: Type C

Voltage: 223.5 V

Current: 0.078 A

Power: 15.8 W

Power Factor: 0.902

Ballast Type:

Width: 200mm

Height: mm

Remark:

Photometric Results

Lumens: 947.05 lm

Efficiency: 59.9399 lm/W

Central Intensity: 1256.954cd

Maximum Intensity: 1259.53cd

Angle of maximum intensity: C:0.0 G:2.0

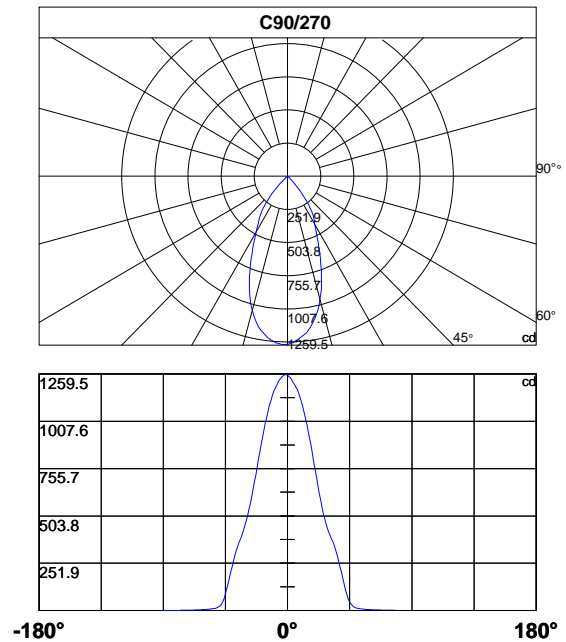
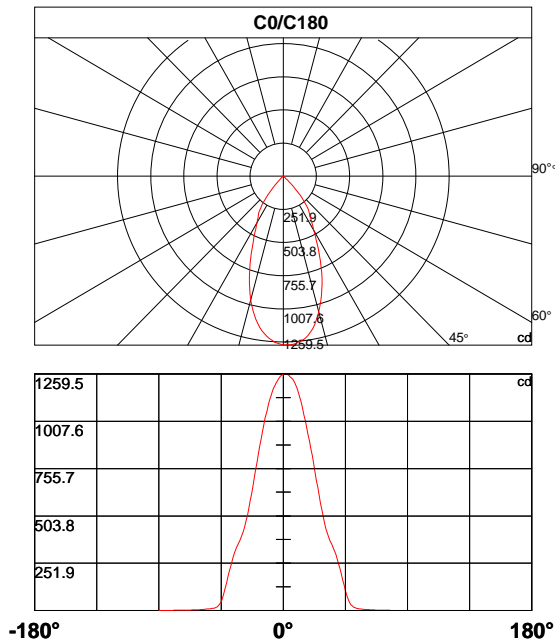
Half Peak Side Angle(50%): Left: -24.8 Right:23.6

Light Out Rate(LOR) : 87.4066%

Up Flux Rate: 0.0%

Down Flux Rate: 100.0%

Beam Angle(10%): Left: -43.7 Right:42.3



Photometric Data Table [cd]

C\G	0.0	1.0	2.0	3.0	4.0	5.0	6.0	7.0	8.0	9.0
0.0	1257.0	1259.2	1259.5	1256.0	1252.8	1244.4	1238.1	1230.0	1219.5	1203.3
45.0	1257.0	1246.7	1240.4	1228.8	1216.4	1203.3	1190.1	1177.3	1157.9	1135.3
90.0	1257.0	1246.7	1240.4	1228.8	1216.4	1203.3	1190.1	1177.3	1157.9	1135.3
135.0	1257.0	1254.3	1247.9	1240.3	1227.4	1213.8	1199.3	1182.8	1163.4	1140.8
180.0	1257.0	1254.3	1247.9	1240.3	1227.4	1213.8	1199.3	1182.8	1163.4	1140.8
225.0	1257.0	1254.8	1255.9	1249.6	1246.2	1236.6	1226.5	1213.7	1198.7	1182.2
270.0	1257.0	1254.8	1255.9	1249.6	1246.2	1236.6	1226.5	1213.7	1198.7	1182.2
315.0	1257.0	1259.2	1259.5	1256.0	1252.8	1244.4	1238.1	1230.0	1219.5	1203.3
360.0	1257.0	1259.2	1259.5	1256.0	1252.8	1244.4	1238.1	1230.0	1219.5	1203.3

C\G	10.0	11.0	12.0	13.0	14.0	15.0	16.0	17.0	18.0	19.0
0.0	1182.8	1161.4	1137.7	1107.6	1078.1	1043.3	1009.0	973.7	937.0	900.2
45.0	1108.5	1083.6	1053.2	1023.5	989.6	950.2	916.0	875.8	831.9	789.9
90.0	1108.5	1083.6	1053.2	1023.5	989.6	950.2	916.0	875.8	831.9	789.9
135.0	1114.9	1086.8	1055.3	1025.5	989.5	955.5	916.3	875.1	834.2	790.8
180.0	1114.9	1086.8	1055.3	1025.5	989.5	955.5	916.3	875.1	834.2	790.8
225.0	1168.6	1147.8	1122.1	1096.8	1066.8	1035.8	1002.3	967.5	930.2	888.9
270.0	1168.6	1147.8	1122.1	1096.8	1066.8	1035.8	1002.3	967.5	930.2	888.9
315.0	1182.8	1161.4	1137.7	1107.6	1078.1	1043.3	1009.0	973.7	937.0	900.2
360.0	1182.8	1161.4	1137.7	1107.6	1078.1	1043.3	1009.0	973.7	937.0	900.2

C\G	20.0	21.0	22.0	23.0	24.0	25.0	26.0	27.0	28.0	29.0
0.0	860.8	820.9	778.1	737.1	694.5	654.1	611.5	571.5	531.6	497.0
45.0	751.7	708.1	664.2	624.2	586.5	548.4	514.0	484.4	457.8	434.0
90.0	751.7	708.1	664.2	624.2	586.5	548.4	514.0	484.4	457.8	434.0
135.0	746.1	704.1	661.8	621.7	581.4	541.8	506.5	474.1	445.4	420.1
180.0	746.1	704.1	661.8	621.7	581.4	541.8	506.5	474.1	445.4	420.1
225.0	847.3	805.3	761.9	719.7	680.1	641.0	604.6	568.8	535.1	503.3
270.0	847.3	805.3	761.9	719.7	680.1	641.0	604.6	568.8	535.1	503.3
315.0	860.8	820.9	778.1	737.1	694.5	654.1	611.5	571.5	531.6	497.0
360.0	860.8	820.9	778.1	737.1	694.5	654.1	611.5	571.5	531.6	497.0

C\G	30.0	31.0	32.0	33.0	34.0	35.0	36.0	37.0	38.0	39.0
0.0	464.2	435.1	409.3	388.4	370.8	355.2	338.2	319.9	300.2	276.6
45.0	412.1	394.5	378.1	362.8	341.1	317.7	290.4	261.2	232.3	201.3
90.0	412.1	394.5	378.1	362.8	341.1	317.7	290.4	261.2	232.3	201.3
135.0	398.9	380.4	364.1	348.0	331.2	310.7	289.9	263.7	236.4	208.6
180.0	398.9	380.4	364.1	348.0	331.2	310.7	289.9	263.7	236.4	208.6
225.0	476.4	447.8	423.8	403.2	383.2	365.3	344.9	323.3	296.8	268.5
270.0	476.4	447.8	423.8	403.2	383.2	365.3	344.9	323.3	296.8	268.5
315.0	464.2	435.1	409.3	388.4	370.8	355.2	338.2	319.9	300.2	276.6
360.0	464.2	435.1	409.3	388.4	370.8	355.2	338.2	319.9	300.2	276.6

Photometric Data Table [cd]

C\G	40.0	41.0	42.0	43.0	44.0	45.0	46.0	47.0	48.0	49.0
0.0	251.6	223.8	196.2	165.5	135.1	106.2	81.8	58.2	43.0	31.0
45.0	170.5	139.2	109.6	81.3	59.8	44.2	34.2	26.3	19.2	16.0
90.0	170.5	139.2	109.6	81.3	59.8	44.2	34.2	26.3	19.2	16.0
135.0	180.0	148.9	118.0	90.6	66.0	46.5	34.1	25.5	18.9	15.6
180.0	180.0	148.9	118.0	90.6	66.0	46.5	34.1	25.5	18.9	15.6
225.0	238.0	208.5	177.3	146.3	116.0	88.3	63.0	44.6	31.6	24.0
270.0	238.0	208.5	177.3	146.3	116.0	88.3	63.0	44.6	31.6	24.0
315.0	251.6	223.8	196.2	165.5	135.1	106.2	81.8	58.2	43.0	31.0
360.0	251.6	223.8	196.2	165.5	135.1	106.2	81.8	58.2	43.0	31.0

C\G	50.0	51.0	52.0	53.0	54.0	55.0	56.0	57.0	58.0	59.0
0.0	23.9	17.7	14.7	11.8	10.6	8.9	8.4	6.7	6.1	5.6
45.0	12.8	11.6	9.9	9.0	8.0	7.2	6.3	5.6	5.3	4.9
90.0	12.8	11.6	9.9	9.0	8.0	7.2	6.3	5.6	5.3	4.9
135.0	12.4	11.3	9.8	8.7	7.5	7.3	6.4	6.1	5.5	5.0
180.0	12.4	11.3	9.8	8.7	7.5	7.3	6.4	6.1	5.5	5.0
225.0	18.8	14.8	12.5	10.4	9.5	7.8	7.5	6.7	6.1	5.5
270.0	18.8	14.8	12.5	10.4	9.5	7.8	7.5	6.7	6.1	5.5
315.0	23.9	17.7	14.7	11.8	10.6	8.9	8.4	6.7	6.1	5.6
360.0	23.9	17.7	14.7	11.8	10.6	8.9	8.4	6.7	6.1	5.6

C\G	60.0	61.0	62.0	63.0	64.0	65.0	66.0	67.0	68.0	69.0
0.0	5.3	4.4	4.4	3.5	3.5	2.9	2.4	2.1	2.0	1.8
45.0	4.9	4.0	4.0	3.2	3.4	2.7	2.7	2.3	2.0	2.0
90.0	4.9	4.0	4.0	3.2	3.4	2.7	2.7	2.3	2.0	2.0
135.0	4.4	4.1	3.7	3.4	3.2	2.9	2.9	2.1	2.1	1.8
180.0	4.4	4.1	3.7	3.4	3.2	2.9	2.9	2.1	2.1	1.8
225.0	5.3	4.4	4.4	3.7	3.5	3.2	2.6	2.6	2.1	2.0
270.0	5.3	4.4	4.4	3.7	3.5	3.2	2.6	2.6	2.1	2.0
315.0	5.3	4.4	4.4	3.5	3.5	2.9	2.4	2.1	2.0	1.8
360.0	5.3	4.4	4.4	3.5	3.5	2.9	2.4	2.1	2.0	1.8

C\G	70.0	71.0	72.0	73.0	74.0	75.0	76.0	77.0	78.0	79.0
0.0	1.7	1.5	1.5	1.5	1.2	1.2	0.9	0.9	0.8	0.8
45.0	1.7	1.7	1.7	1.4	1.2	1.2	1.2	1.2	0.8	0.6
90.0	1.7	1.7	1.7	1.4	1.2	1.2	1.2	1.2	0.8	0.6
135.0	2.1	1.7	1.7	1.4	1.5	1.2	1.4	1.2	1.1	0.9
180.0	2.1	1.7	1.7	1.4	1.5	1.2	1.4	1.2	1.1	0.9
225.0	1.8	1.7	1.5	1.5	1.4	1.3	1.2	1.1	0.8	0.8
270.0	1.8	1.7	1.5	1.5	1.4	1.3	1.2	1.1	0.8	0.8
315.0	1.7	1.5	1.5	1.5	1.2	1.2	0.9	0.9	0.8	0.8
360.0	1.7	1.5	1.5	1.5	1.2	1.2	0.9	0.9	0.8	0.8

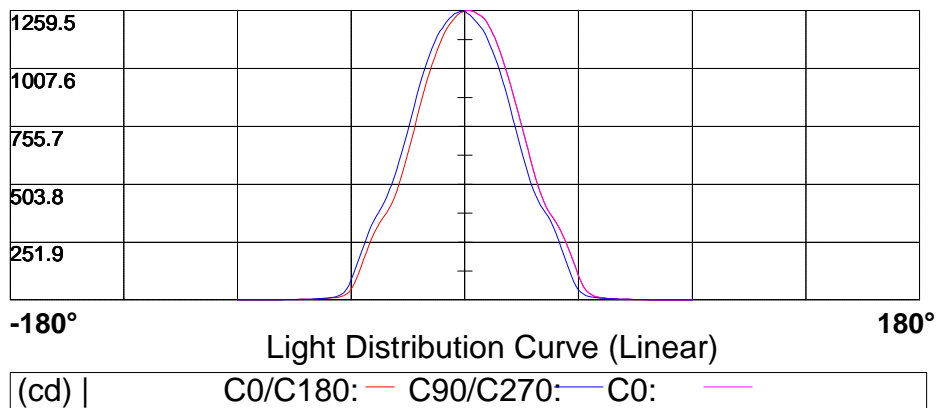
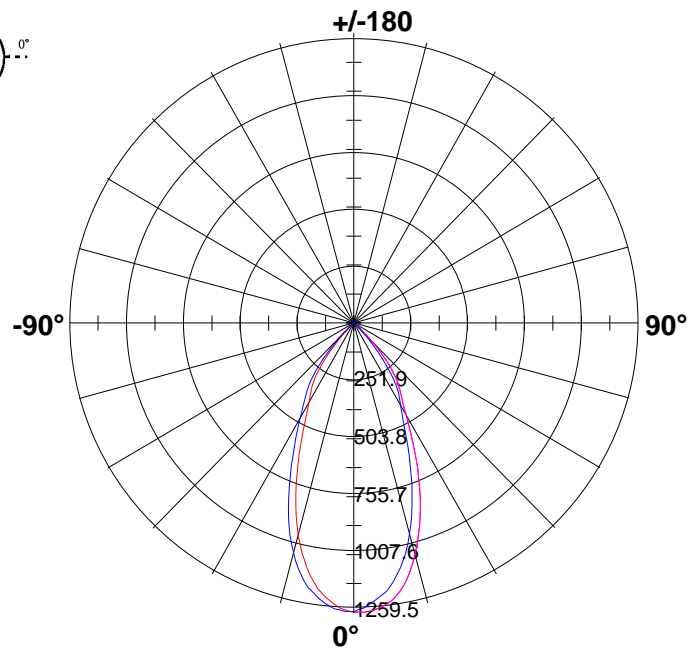
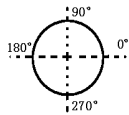
Photometric Data Table [cd]

C\G	80.0	81.0	82.0	83.0	84.0	85.0	86.0	87.0	88.0	89.0
0.0	0.6	0.5	0.3	0.3	0.3	0.3	0.4	0.5	0.5	0.5
45.0	0.6	0.6	0.2	0.2	0.3	0.5	0.5	0.3	0.2	0.2
90.0	0.6	0.6	0.2	0.2	0.3	0.5	0.5	0.3	0.2	0.2
135.0	0.8	0.6	0.6	0.6	0.6	0.2	0.2	0.2	0.2	0.3
180.0	0.8	0.6	0.6	0.6	0.6	0.2	0.2	0.2	0.2	0.3
225.0	0.6	0.5	0.5	0.3	0.3	0.5	0.5	0.5	0.5	0.5
270.0	0.6	0.5	0.5	0.3	0.3	0.5	0.5	0.5	0.5	0.5
315.0	0.6	0.5	0.3	0.3	0.3	0.3	0.4	0.5	0.5	0.5
360.0	0.6	0.5	0.3	0.3	0.3	0.3	0.4	0.5	0.5	0.5

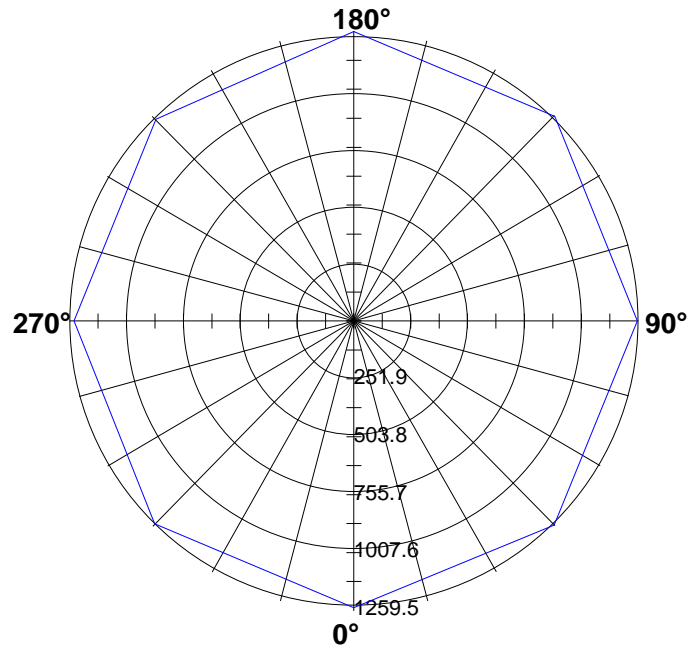
C\G	90.0
0.0	0.3
45.0	0.3
90.0	0.3
135.0	0.3
180.0	0.3
225.0	0.3
270.0	0.3
315.0	0.3
360.0	0.3

Light Distribution Curve [Unit: cd]

Luminaire



Max Plane Light Distribution Curve [Unit: cd]

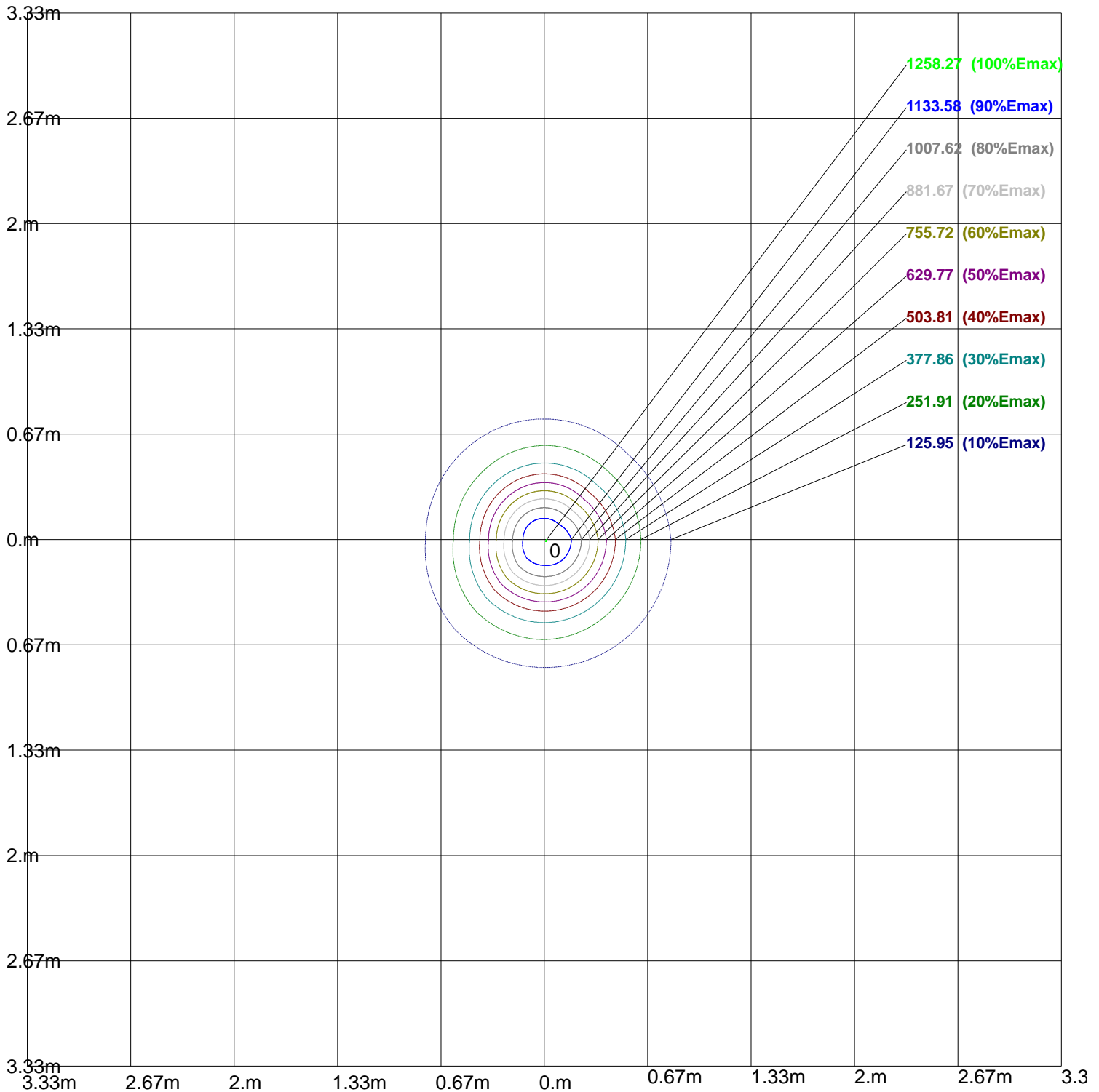


1259.5							
1007.6							
755.7							
503.8							
251.9							

-180° Light Distribution Curve (Linear) **180°**

(cd) | γ 2: —

Iso-Lux[lx]



Height: 1 m
Max Illuminance : 1259.53lx

Luminance Limiting Curve

Diameter: 200mm

Length: mm

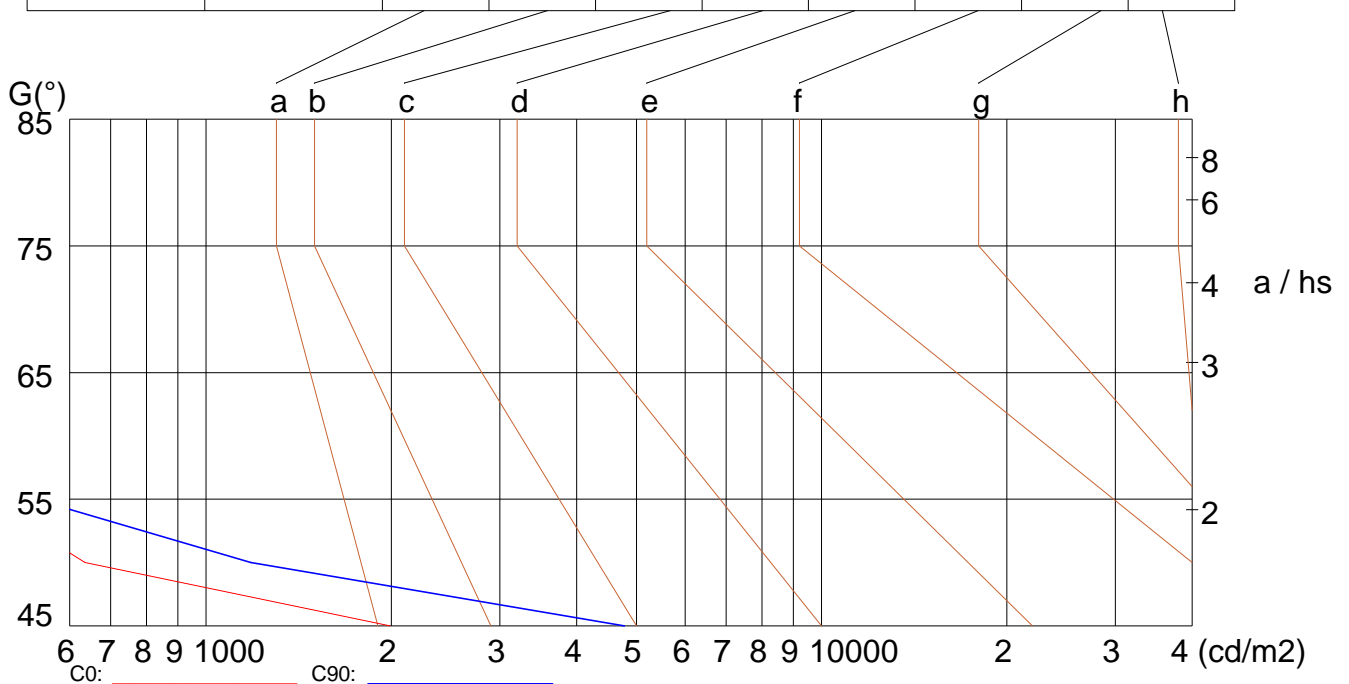
Width: 200mm

Height: mm

(cd/m²)

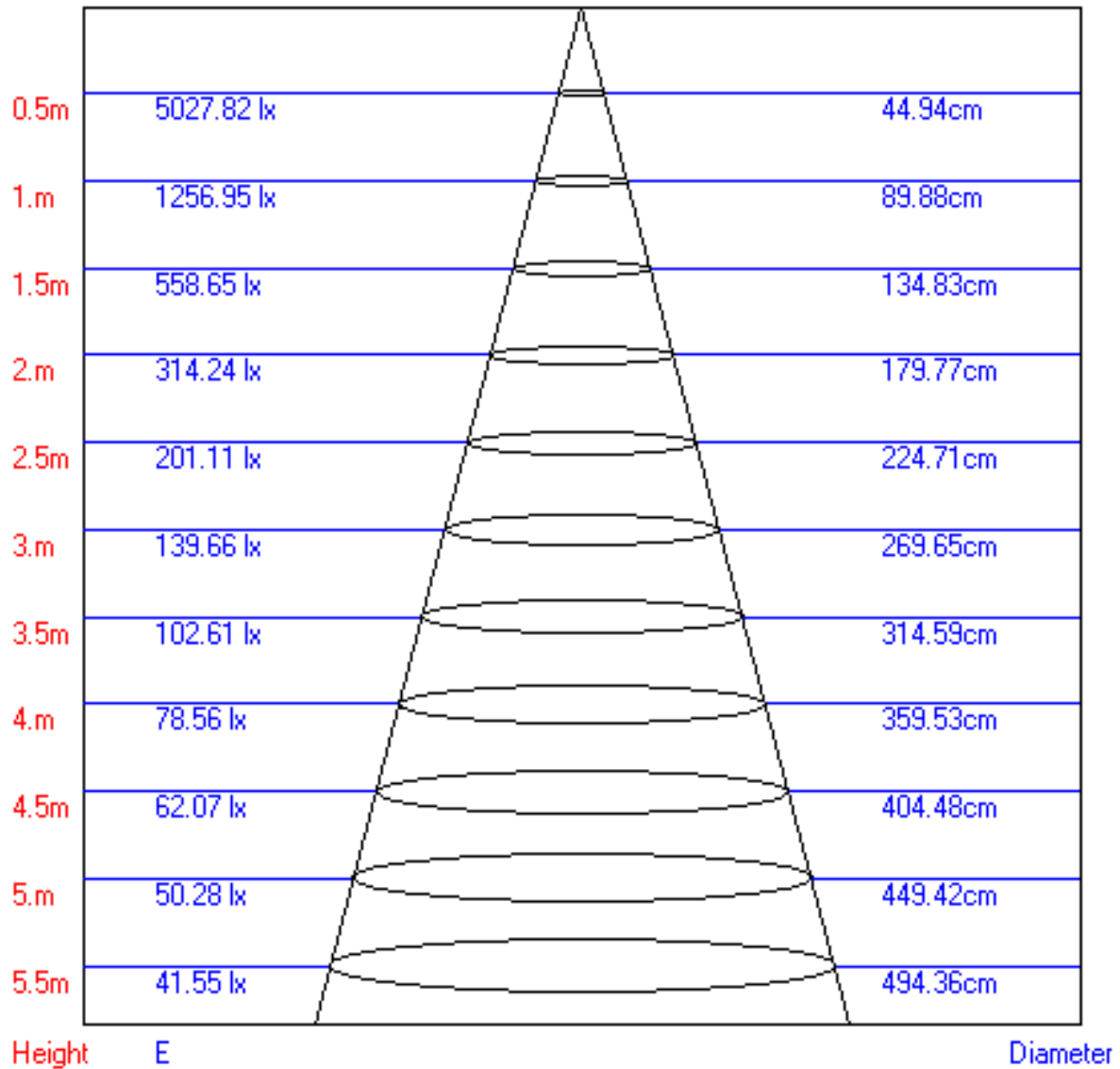
γ	45°	50°	55°	60°	65°	70°	75°	80°	85°
C0	1989	636	399	311	206	156	152	110	171
C90	4783	1182	492	340	219	157	152	110	110

Glare	Quality	Service Values Illuminance (lx)							
1.15	A	2000	1000	500	≤300				
1.5	B		2000	1000	500	≤300			
1.85	C			2000	1000	500	≤300		
2.2	D				2000	1000	500	≤300	
2.55	E					2000	1000	500	≤300



Lum. Limiting Curve (C0/C90)

Lux-Distance Curve



Beam Angle:48.40°

Utilization Coefficient Table

RHOCC	80			70			50			30			10			0
RHOW	50	30	10	50	30	10	50	30	10	50	30	10	50	30	10	0
RCR	COEFFICIENTS OF UTILIZATION FOR RHOFC=20															
0	1.04	1.04	1.04	1.02	1.02	1.02	0.97	0.97	0.97	0.93	0.93	0.93	0.89	0.89	0.89	0.87
1	1.00	0.99	0.98	0.98	0.97	0.97	0.94	0.93	0.93	0.90	0.89	0.88	0.83	0.82	0.81	0.77
2	0.93	0.92	0.91	0.92	0.91	0.89	0.89	0.87	0.86	0.84	0.83	0.81	0.79	0.77	0.76	0.71
3	0.87	0.86	0.85	0.86	0.84	0.83	0.83	0.81	0.79	0.80	0.77	0.75	0.75	0.73	0.70	0.67
4	0.81	0.80	0.79	0.80	0.79	0.77	0.78	0.76	0.74	0.75	0.72	0.70	0.71	0.68	0.66	0.62
5	0.76	0.75	0.74	0.75	0.73	0.72	0.73	0.71	0.69	0.71	0.68	0.65	0.68	0.64	0.61	0.58
6	0.71	0.70	0.69	0.71	0.69	0.67	0.69	0.66	0.64	0.67	0.63	0.61	0.64	0.60	0.57	0.54
7	0.67	0.66	0.65	0.66	0.64	0.63	0.65	0.62	0.60	0.63	0.60	0.57	0.61	0.57	0.54	0.51
8	0.63	0.62	0.61	0.63	0.61	0.59	0.61	0.58	0.57	0.60	0.56	0.54	0.58	0.54	0.51	0.48
9	0.59	0.58	0.57	0.59	0.57	0.56	0.58	0.55	0.53	0.57	0.53	0.51	0.55	0.51	0.48	0.45
10	0.56	0.55	0.54	0.56	0.54	0.53	0.55	0.52	0.50	0.54	0.50	0.48	0.52	0.48	0.45	0.42

