

Luminaire Property

Luminaire: 140-081

Report NO.:

Voltage: 223.6 V

Test NO.:

Current: 0.042 A

Lamp: CREE 1304-9V-3000K

Power: 8.5 W

Sum Lumens: 687.3 lm

Power Factor: 0.904

Number of Lamps: 1

Ballast Type:

Diameter: 200mm

Width: 200mm

Length: mm

Height: mm

Photometric Type: Type C

Remark:

Photometric Results

Lumens: 533.34 lm

Angle of maximum intensity: C:135.0 G:1.0

Efficiency: 62.7459 lm/W

Half Peak Side Angle(50%): Left: -16.4 Right:16.4

Central Intensity: 1424.512cd

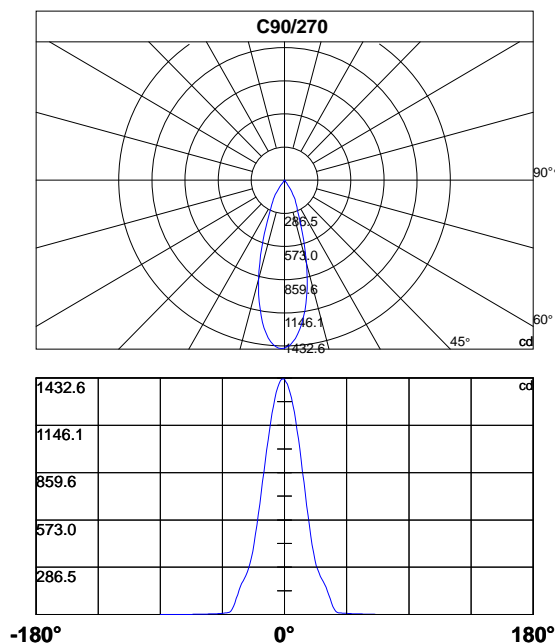
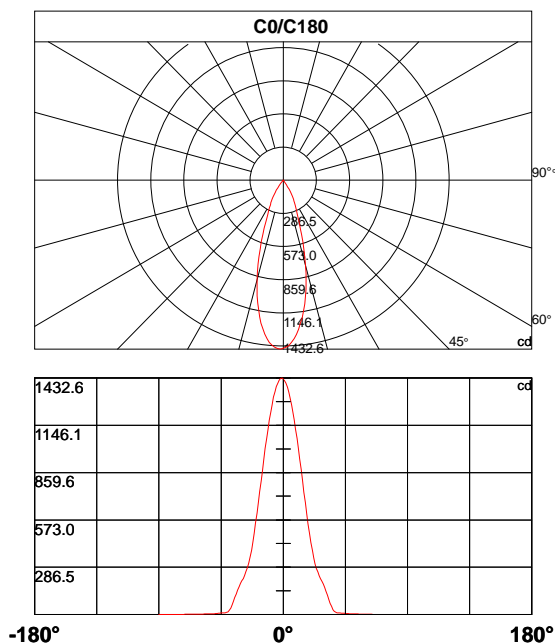
Light Out Rate(LOR) : 77.5993%

Maximum Intensity: 1432.552cd

Up Flux Rate: 0.0%

Down Flux Rate: 100.0%

Beam Angle(10%): Left: -31.9 Right:32.2



Photometric Data Table [cd]

C\G	0.0	1.0	2.0	3.0	4.0	5.0	6.0	7.0	8.0	9.0
0.0	1424.5	1416.3	1402.6	1376.5	1347.1	1313.8	1268.6	1223.7	1178.5	1123.2
45.0	1424.5	1411.0	1397.2	1372.2	1345.3	1310.7	1269.6	1224.5	1174.4	1117.5
90.0	1424.5	1411.0	1397.2	1372.2	1345.3	1310.7	1269.6	1224.5	1174.4	1117.5
135.0	1424.5	1432.6	1428.1	1418.6	1402.3	1380.1	1349.7	1316.2	1270.7	1227.0
180.0	1424.5	1432.6	1428.1	1418.6	1402.3	1380.1	1349.7	1316.2	1270.7	1227.0
225.0	1424.5	1427.5	1424.9	1416.2	1398.4	1377.4	1345.9	1309.0	1266.1	1219.3
270.0	1424.5	1427.5	1424.9	1416.2	1398.4	1377.4	1345.9	1309.0	1266.1	1219.3
315.0	1424.5	1416.3	1402.6	1376.5	1347.1	1313.8	1268.6	1223.7	1178.5	1123.2
360.0	1424.5	1416.3	1402.6	1376.5	1347.1	1313.8	1268.6	1223.7	1178.5	1123.2

C\G	10.0	11.0	12.0	13.0	14.0	15.0	16.0	17.0	18.0	19.0
0.0	1067.1	1006.4	942.9	877.0	813.1	740.2	676.6	611.2	548.1	489.2
45.0	1060.1	1002.3	937.2	865.5	800.9	733.4	661.2	594.2	536.5	476.7
90.0	1060.1	1002.3	937.2	865.5	800.9	733.4	661.2	594.2	536.5	476.7
135.0	1177.3	1118.3	1065.3	1006.3	939.3	873.2	811.4	744.0	679.2	613.6
180.0	1177.3	1118.3	1065.3	1006.3	939.3	873.2	811.4	744.0	679.2	613.6
225.0	1167.1	1113.3	1057.8	994.7	931.2	866.7	803.3	734.6	669.9	604.5
270.0	1167.1	1113.3	1057.8	994.7	931.2	866.7	803.3	734.6	669.9	604.5
315.0	1067.1	1006.4	942.9	877.0	813.1	740.2	676.6	611.2	548.1	489.2
360.0	1067.1	1006.4	942.9	877.0	813.1	740.2	676.6	611.2	548.1	489.2

C\G	20.0	21.0	22.0	23.0	24.0	25.0	26.0	27.0	28.0	29.0
0.0	435.9	388.2	343.0	306.6	279.7	257.4	234.5	216.1	199.3	184.2
45.0	422.0	374.0	331.6	297.1	271.6	251.4	230.6	214.0	199.0	184.3
90.0	422.0	374.0	331.6	297.1	271.6	251.4	230.6	214.0	199.0	184.3
135.0	554.5	493.0	439.7	389.7	347.1	312.4	285.3	259.3	236.4	218.1
180.0	554.5	493.0	439.7	389.7	347.1	312.4	285.3	259.3	236.4	218.1
225.0	542.7	485.4	430.1	382.1	339.5	308.1	281.1	257.2	235.1	219.6
270.0	542.7	485.4	430.1	382.1	339.5	308.1	281.1	257.2	235.1	219.6
315.0	435.9	388.2	343.0	306.6	279.7	257.4	234.5	216.1	199.3	184.2
360.0	435.9	388.2	343.0	306.6	279.7	257.4	234.5	216.1	199.3	184.2

C\G	30.0	31.0	32.0	33.0	34.0	35.0	36.0	37.0	38.0	39.0
0.0	164.1	141.2	116.0	91.5	68.2	47.5	28.6	18.0	12.8	10.3
45.0	164.8	141.5	119.2	94.1	69.1	49.1	30.7	19.1	13.6	10.6
90.0	164.8	141.5	119.2	94.1	69.1	49.1	30.7	19.1	13.6	10.6
135.0	203.0	187.4	167.5	147.0	124.4	102.3	79.2	58.2	38.4	24.8
180.0	203.0	187.4	167.5	147.0	124.4	102.3	79.2	58.2	38.4	24.8
225.0	203.4	188.3	168.6	146.9	121.3	97.2	70.3	49.5	30.1	19.1
270.0	203.4	188.3	168.6	146.9	121.3	97.2	70.3	49.5	30.1	19.1
315.0	164.1	141.2	116.0	91.5	68.2	47.5	28.6	18.0	12.8	10.3
360.0	164.1	141.2	116.0	91.5	68.2	47.5	28.6	18.0	12.8	10.3

Photometric Data Table [cd]

C\G	40.0	41.0	42.0	43.0	44.0	45.0	46.0	47.0	48.0	49.0
0.0	9.8	8.6	8.1	7.2	6.9	5.9	5.8	5.0	4.7	4.1
45.0	9.6	8.7	8.0	7.3	6.9	6.7	5.8	5.6	5.0	4.6
90.0	9.6	8.7	8.0	7.3	6.9	6.7	5.8	5.6	5.0	4.6
135.0	16.2	12.7	10.6	9.9	8.6	8.3	7.0	6.7	5.9	5.9
180.0	16.2	12.7	10.6	9.9	8.6	8.3	7.0	6.7	5.9	5.9
225.0	13.1	10.7	9.3	8.6	7.3	7.2	6.3	5.9	5.2	4.7
270.0	13.1	10.7	9.3	8.6	7.3	7.2	6.3	5.9	5.2	4.7
315.0	9.8	8.6	8.1	7.2	6.9	5.9	5.8	5.0	4.7	4.1
360.0	9.8	8.6	8.1	7.2	6.9	5.9	5.8	5.0	4.7	4.1

C\G	50.0	51.0	52.0	53.0	54.0	55.0	56.0	57.0	58.0	59.0
0.0	3.8	3.4	3.2	2.9	2.7	2.5	2.3	2.3	1.8	1.8
45.0	4.0	4.1	3.4	3.0	2.9	2.6	2.7	2.5	2.3	2.0
90.0	4.0	4.1	3.4	3.0	2.9	2.6	2.7	2.5	2.3	2.0
135.0	4.9	4.9	4.3	4.0	3.7	3.2	3.0	2.7	2.3	2.4
180.0	4.9	4.9	4.3	4.0	3.7	3.2	3.0	2.7	2.3	2.4
225.0	4.4	4.0	3.5	3.4	3.0	2.9	2.4	2.3	2.1	1.8
270.0	4.4	4.0	3.5	3.4	3.0	2.9	2.4	2.3	2.1	1.8
315.0	3.8	3.4	3.2	2.9	2.7	2.5	2.3	2.3	1.8	1.8
360.0	3.8	3.4	3.2	2.9	2.7	2.5	2.3	2.3	1.8	1.8

C\G	60.0	61.0	62.0	63.0	64.0	65.0	66.0	67.0	68.0	69.0
0.0	1.5	1.4	1.2	1.2	1.2	0.9	0.9	0.8	0.6	0.6
45.0	2.0	1.7	1.5	1.4	1.2	1.2	0.9	0.9	0.8	0.8
90.0	2.0	1.7	1.5	1.4	1.2	1.2	0.9	0.9	0.8	0.8
135.0	2.3	2.0	1.8	1.5	1.5	1.4	1.4	1.3	1.2	1.1
180.0	2.3	2.0	1.8	1.5	1.5	1.4	1.4	1.3	1.2	1.1
225.0	1.8	1.5	1.4	1.1	1.1	1.1	1.1	0.9	0.9	0.8
270.0	1.8	1.5	1.4	1.1	1.1	1.1	1.1	0.9	0.9	0.8
315.0	1.5	1.4	1.2	1.2	1.2	0.9	0.9	0.8	0.6	0.6
360.0	1.5	1.4	1.2	1.2	1.2	0.9	0.9	0.8	0.6	0.6

C\G	70.0	71.0	72.0	73.0	74.0	75.0	76.0	77.0	78.0	79.0
0.0	0.5	0.5	0.5	0.5	0.3	0.3	0.3	0.2	0.2	0.2
45.0	0.8	0.7	0.6	0.5	0.5	0.5	0.3	0.3	0.3	0.3
90.0	0.8	0.7	0.6	0.5	0.5	0.5	0.3	0.3	0.3	0.3
135.0	1.1	1.0	0.9	0.8	0.8	0.5	0.5	0.5	0.3	0.3
180.0	1.1	1.0	0.9	0.8	0.8	0.5	0.5	0.5	0.3	0.3
225.0	0.6	0.5	0.5	0.5	0.5	0.3	0.3	0.3	0.2	0.2
270.0	0.6	0.5	0.5	0.5	0.5	0.3	0.3	0.3	0.2	0.2
315.0	0.5	0.5	0.5	0.5	0.3	0.3	0.3	0.2	0.2	0.2
360.0	0.5	0.5	0.5	0.5	0.3	0.3	0.3	0.2	0.2	0.2

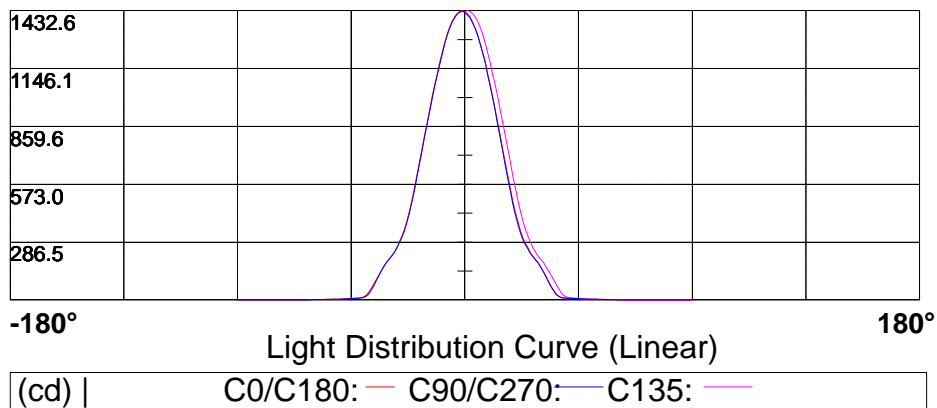
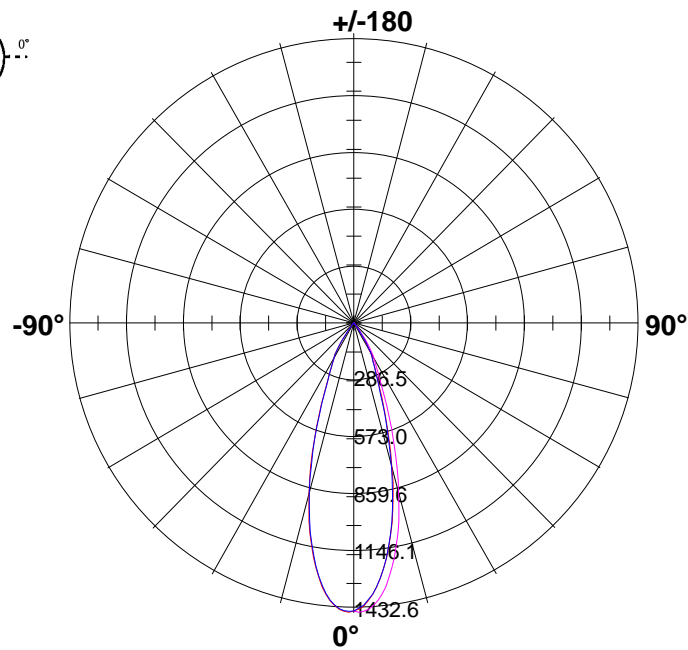
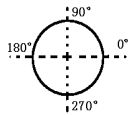
Photometric Data Table [cd]

C\G	80.0	81.0	82.0	83.0	84.0	85.0	86.0	87.0	88.0	89.0
0.0	0.2	0.2	0.2	0.2	0.2	0.1	0.1	0.2	0.2	0.2
45.0	0.3	0.3	0.3	0.3	0.2	0.2	0.2	0.2	0.2	0.0
90.0	0.3	0.3	0.3	0.3	0.2	0.2	0.2	0.2	0.2	0.0
135.0	0.3	0.3	0.3	0.2	0.2	0.2	0.2	0.3	0.3	0.2
180.0	0.3	0.3	0.3	0.2	0.2	0.2	0.2	0.3	0.3	0.2
225.0	0.2	0.2	0.2	0.3	0.3	0.3	0.2	0.2	0.2	0.2
270.0	0.2	0.2	0.2	0.3	0.3	0.3	0.2	0.2	0.2	0.2
315.0	0.2	0.2	0.2	0.2	0.2	0.1	0.1	0.2	0.2	0.2
360.0	0.2	0.2	0.2	0.2	0.2	0.1	0.1	0.2	0.2	0.2

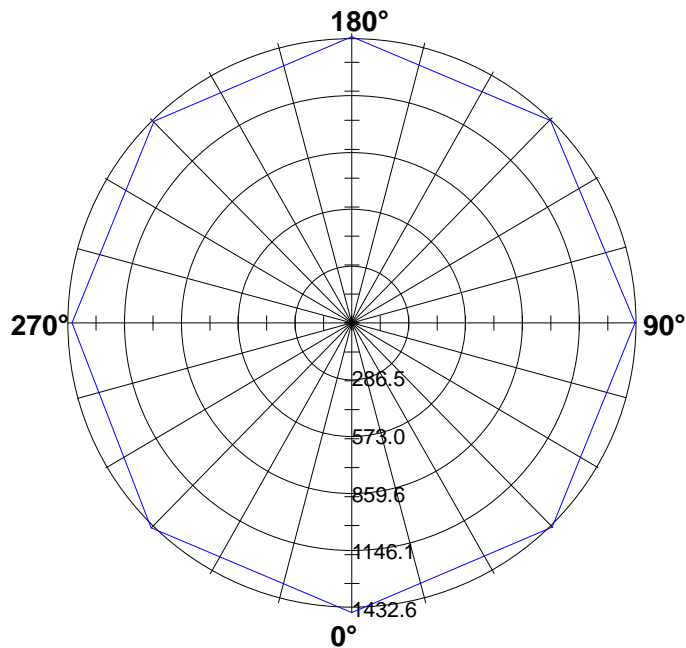
C\G	90.0
0.0	0.3
45.0	0.0
90.0	0.0
135.0	0.2
180.0	0.2
225.0	0.2
270.0	0.2
315.0	0.3
360.0	0.3

Light Distribution Curve [Unit: cd]

Luminaire

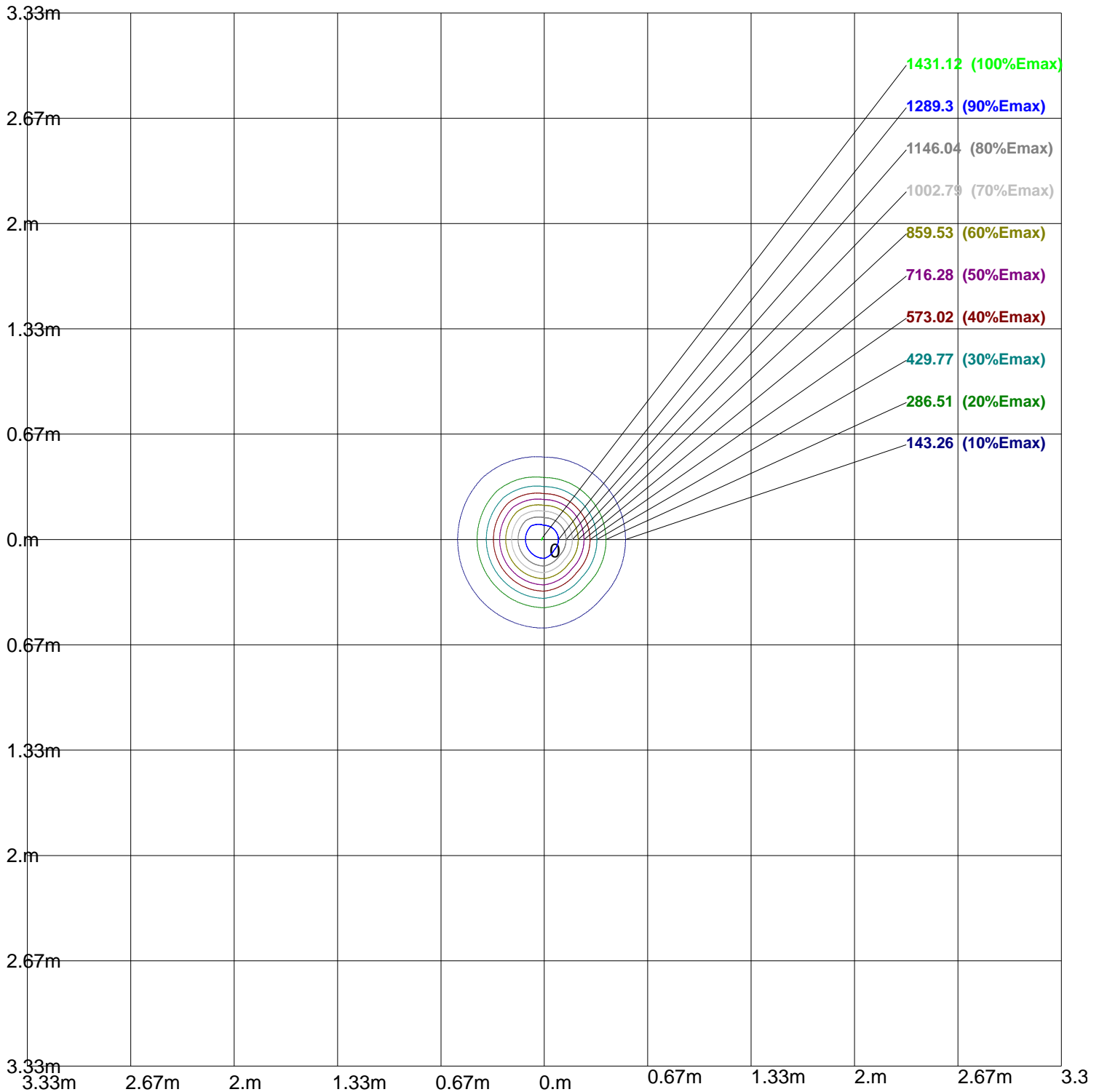


Max Plane Light Distribution Curve [Unit: cd]



1432.6							
1146.1							
859.6							
573.0							
286.5							
-180°	Light Distribution Curve (Linear)						180°
(cd)	γ1: —						

Iso-Lux[lx]



Height: 1 m
Max Illuminance : 1432.55lx

Luminance Limiting Curve

Diameter: 200mm

Length: mm

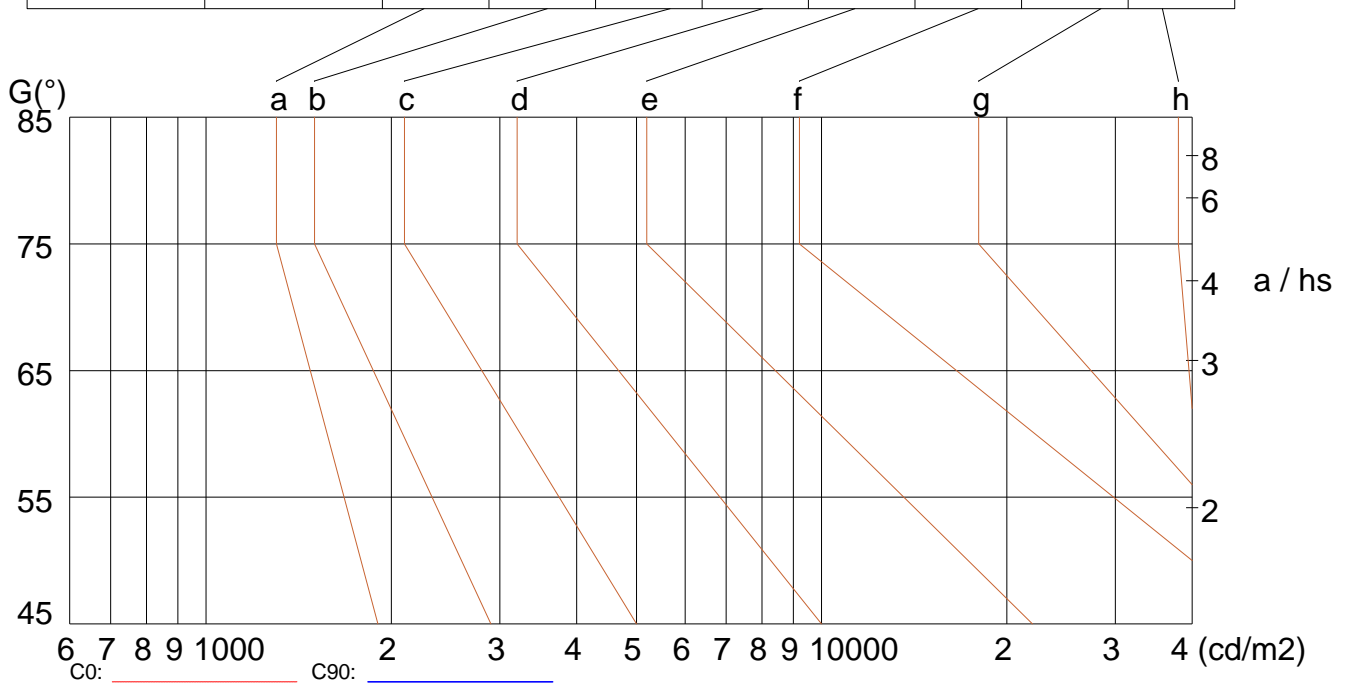
Width: 200mm

Height: mm

(cd/m²)

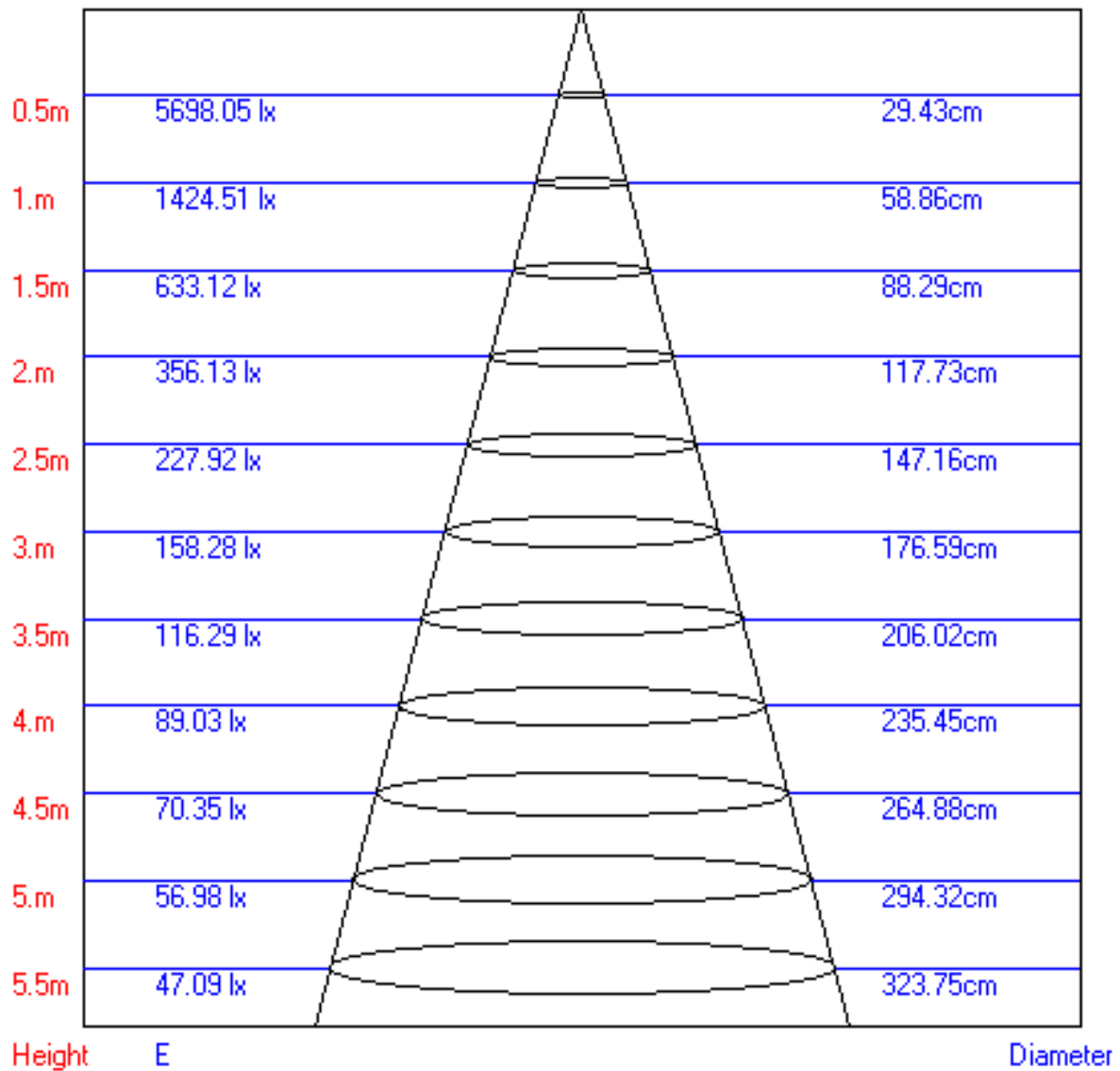
γ	45°	50°	55°	60°	65°	70°	75°	80°	85°
C0	302	197	145	126	93	72	58	52	61
C90	268	189	140	98	68	50	37	31	46

Glare	Quality	Service Values Illuminance (lx)							
1.15	A	2000	1000	500	≤300				
1.5	B		2000	1000	500	≤300			
1.85	C			2000	1000	500	≤300		
2.2	D				2000	1000	500	≤300	
2.55	E					2000	1000	500	≤300



Lum. Limiting Curve (C0/C90)

Lux-Distance Curve



Beam Angle:32.80°

Utilization Coefficient Table

RHOCC	80			70			50			30			10			0
RHOW	50	30	10	50	30	10	50	30	10	50	30	10	50	30	10	0
RCR	COEFFICIENTS OF UTILIZATION FOR RHOFC=20															
0	0.92	0.92	0.92	0.90	0.90	0.90	0.86	0.86	0.86	0.83	0.83	0.83	0.79	0.79	0.79	0.78
1	0.90	0.89	0.89	0.89	0.88	0.87	0.85	0.84	0.84	0.81	0.80	0.79	0.75	0.74	0.73	0.69
2	0.86	0.85	0.84	0.84	0.83	0.83	0.81	0.80	0.79	0.77	0.76	0.75	0.72	0.71	0.70	0.66
3	0.82	0.81	0.80	0.81	0.79	0.79	0.78	0.76	0.75	0.74	0.73	0.71	0.70	0.68	0.66	0.63
4	0.78	0.77	0.77	0.77	0.76	0.75	0.74	0.73	0.71	0.71	0.69	0.68	0.68	0.65	0.63	0.60
5	0.75	0.74	0.73	0.74	0.72	0.72	0.71	0.69	0.68	0.68	0.66	0.65	0.65	0.63	0.61	0.58
6	0.72	0.71	0.70	0.71	0.69	0.68	0.68	0.66	0.65	0.66	0.63	0.62	0.63	0.60	0.58	0.55
7	0.69	0.68	0.67	0.68	0.66	0.66	0.66	0.64	0.62	0.63	0.61	0.59	0.61	0.58	0.56	0.53
8	0.66	0.65	0.64	0.65	0.64	0.63	0.63	0.61	0.60	0.61	0.58	0.57	0.59	0.56	0.53	0.51
9	0.63	0.63	0.62	0.63	0.61	0.60	0.61	0.59	0.57	0.59	0.56	0.54	0.57	0.54	0.51	0.49
10	0.61	0.60	0.60	0.60	0.59	0.58	0.59	0.57	0.55	0.57	0.54	0.52	0.55	0.52	0.49	0.47

