

24 510 892 Product version from 6/30/2009 to 5/27/2021

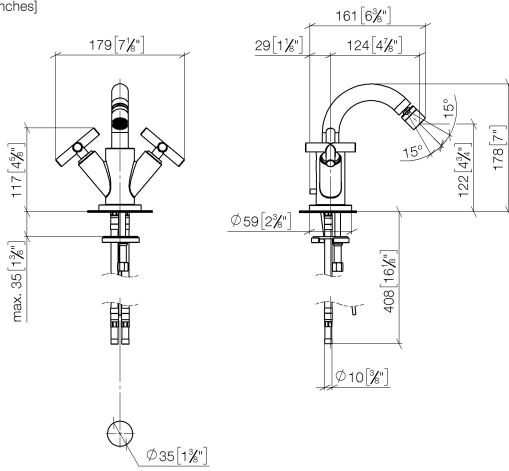


- 124mm projection
- ball-joint pivotable through 15° (in any direction)
- circular, air-enriched flow
- height of mixer 180 mm
- height up to aerator 123 mm
- hole diameter 35 mm
- rosette Ø 59 mm
- 2x screw-in M 10 x 1 pressure hose, leak-tested
- max. flow 7 l/min

	Brushed Platinum	24 510 892-06
	Chrome	24 510 892-00
	Platinum	24 510 892-08
	Dark Chrome	24 510 892-19
	Brushed Durabronze (23kt Gold)	24 510 892-28
	Matte Black	24 510 892-33
	Brushed Gold (PVD)	24 510 892-37
	Brushed Dark Brass (PVD)	24 510 892-39
	Brushed Bronze (PVD)	24 510 892-42
	Brushed Dark Bronze (PVD)	24 510 892-43
	Brushed Champagne (22kt Gold)	24 510 892-46
	Champagne (22kt Gold)	24 510 892-47
	Brushed Chrome	24 510 892-93
	Brushed Dark Platinum	24 510 892-99

24 510 892 Product version from 6/30/2009 to 5/27/2021

mm [inches]



Flow rate chart



Codes & Standards

ASME A112.18.1

cUPC

DIN 4109

ISO 3822

Ü-Zeichen



## TARA Single-hole bidet mixer with pop-up waste - Brushed Platinum

TARA

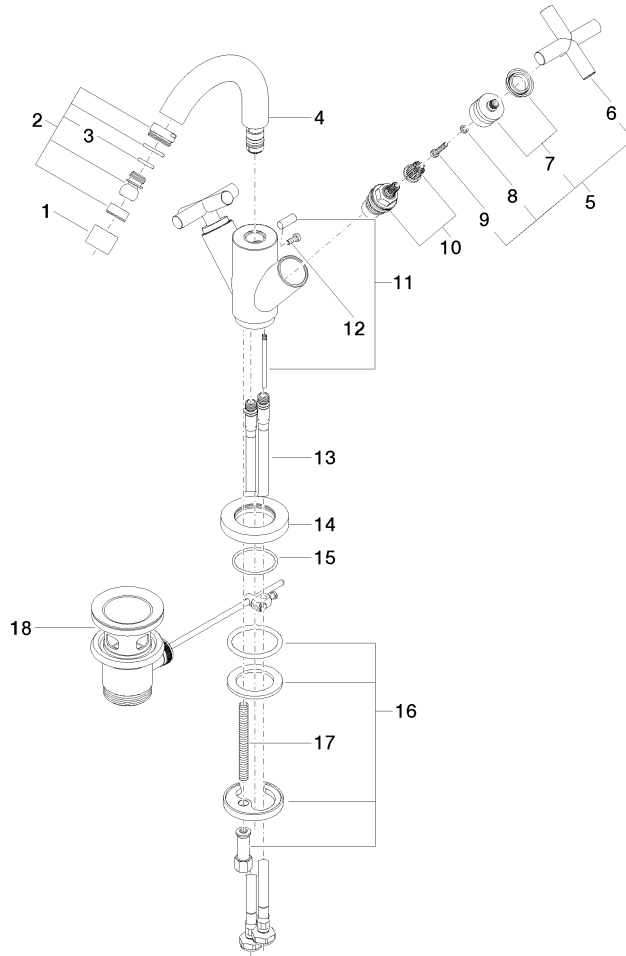
24 510 892 Product version from 6/30/2009 to 5/27/2021

### Certificates and sustainability

IAPMO_4976	LGA_38	EPD-DOR-20230287 -IBA1-EN Environmental.prod uct-declarat
------------	--------	--

24 510 892 Product version from 6/30/2009 to 5/27/2021

Parts for other  
finishes can be found  
here: [Chrome](#)



**Spare parts list**

No.	Item Number	Name	Quantity used	Delivery time
2	04 21 40 007 00-06	Joint for bidet 27,5 x 26,5 x 28 mm - Brushed Platinum	1.00	20
5	90 20 89 010 10-06	Handle TARA - Brushed Platinum	2.00	20
12	09 30 30 054 90	Mounting Cylinder head screw with hexagon socket with low profile M4 x 10 mm -	1.00	14
9	90 30 30 075 00 90	Mounting Cylinder head screw with hexagon socket Low profile M4 x 20 mm -	2.00	14
7	90 12 12 007 00-06	Handle Socket retainer Ø 29 x 26 mm - Brushed Platinum	2.00	20
11	04 20 89 035 80-06	Pull rod for pop-up waste with button 64,9 x 399,3 x 7 mm - Brushed Platinum	1.00	20
4	90 28 22 216 00-06	Spout for bidet - Brushed Platinum	1.00	-
Spare part can no longer be ordered, please order the replacement item				
15	09 14 10 134 90	O-Ring 35,2 x 2,2 mm -	1.00	14
3	90 14 10 011 00 90	O-Ring EPDM 70 11,0 x 2,5 mm -	1.00	14
8	90 30 11 029 00 90	Connection Spring lock washer Ø 4 -	2.00	14
16	04 30 11 038 00 90	Mounting with O-ring Ø40 x 4mm Ø 52 x 1,5 mm -	1.00	14
18	90 11 01 001 00-06	Basin Waste - Brushed Platinum	1.00	20
10	90 90 03 151 00 90	Head part clockwise closing 1/2" -	2.00	14
14	09 28 10 132-06	Rosette Ø 59 x Ø 35 x 9 mm - Brushed Platinum	1.00	20
1	90 23 01 004 05-06	Aerator 7,0 l/min. - Brushed Platinum	1.00	20
17	09 31 11 011 90	Mounting Threaded bolt M8 x 80 mm -	1.00	14
13	04 30 04 104 00 90	High pressure hose M10x1 x 3/8" x 420 mm -	2.00	14
6	09 20 89 010-06	Handle 70 x 70 x 22,5 mm - Brushed Platinum	2.00	-
Spare part can no longer be ordered, please order the replacement item				
90208901010-06		Handle TARA - Brushed Platinum		