

Presence detector, dual tech, PIR+HF, 230 V, master, 40 m / 12 m, IP54, for surface mounting, white

351-25475

4 year warranty

Intelligent presence detector for ceiling mounting, ideal for offices. Suitable for switching indoor lighting. Rapid detection of even the slightest movements, thanks to passive infrared (PIR) and High Frequency (HF) technology. Automatically adjusts sensitivity according to the registered movements. Equipped with an integrated light sensor.

Finishing colour: white

Compatible secondary detectors: 351-25459, 351-25469

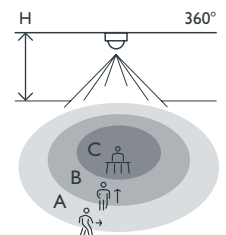


- The presence detector for zones where detection is difficult.
- The double technology makes it possible to fully set the detector in accordance with the prevailing conditions.
- Five possible combinations of the two technologies
 - option 1: on/off in accordance with the PIR detection only
 - option 2: on/off in accordance with the HF detection only
 - option 3: on/off if PIR or HF detects something
 - option 4: on/off if PIR and HF detect something
 - option 5: on in accordance with PIR, off if both PIR and HF no longer detect anything
- Large detection range
- Separate setting for the lux, the delay, the sensitivity and the technology

Presence technology for toilets, workshops, etc.

- You can programme it manually or using the optional remote control
- You can programme it as a presence or absence detector.
 - Absence: you must turn the lighting on using a push button. It turns off automatically if the detector detects sufficient daylight or if it no longer detects any motion.

Detection range



PIR H ↓	A Across	B Towards	C Presence
2 m	∅ 40 m	∅ 20 m	∅ 5 m
2.5 m	∅ 40 m	∅ 20 m	∅ 6 m
3 m	∅ 40 m	∅ 20 m	∅ 7 m
3.5 m	∅ 30 m	∅ 15 m	∅ 6 m
4 m	∅ 20 m	∅ 10 m	∅ 6 m

HF H ↓	A Across	B Towards	C Presence
2 m	∅ 6 m	∅ 12 m	∅ 6 m
2.5 m	∅ 6 m	∅ 12 m	∅ 6 m
3 m	∅ 6 m	∅ 12 m	∅ 6 m
3.5 m	∅ 8 m	∅ 16 m	∅ 6 m
4 m	∅ 8 m	∅ 16 m	∅ 6 m



niko

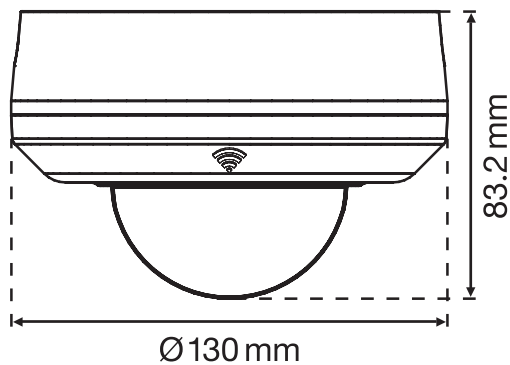
Technical data

Article number	351-25475
Compatible secondary detectors	351-25459, 351-25469
Input voltage	230 Vac \pm 10 %, 50 Hz
Detector output	230 V (ON/OFF)
Maximum MCB rating	10 A (limited by national installation rules)
Relay contact	N.O. (max. 10 A), potential-free
Maximum load incandescent and halogen lamps ($\cos\phi=1$)	2000 W
Maximum load fluorescent lamps ($\cos\phi \geq 0.5$)	1000 VA
Maximum load economy lamps (CFLi)	300 W
Maximum load LED lamps 230 V	300 W
Light intensity range	5 lux – 2000 lux
Number of channels	1 channel
Switch-off delay	pulse, 10 s – 20 min
Detection angle	360 °
Detection range (PIR)	\varnothing 40 m from a height of 3 m
Detection range (HF)	\varnothing 12 m from a height of 3 m
Ambient temperature	-20 – +45 °C
Mounting method	surface mounting
Mounting height	2 – 4 m
Dimensions (HxWxD)	129 x 129 x 83 mm
Protection degree	IP54
Marking	CE

Accessories

350-41936	Universal remote control for smartphone
351-25320	IR remote control
351-25310	IR remote control for users

Dimensions



Wiring diagram

