

36 425 977 Product version up to 8/24/2020



- cover plate Ø 175 mm
- temperature control handle with safety limit stop at 38°C
- hot water temperature limiter, can be preset
- WRAS

| | | |
|--|-------------------------------|---------------|
| | Durabrass (23kt Gold) | 36 425 977-09 |
| | Chrome | 36 425 977-00 |
| | Brushed Platinum | 36 425 977-06 |
| | Platinum | 36 425 977-08 |
| | Brushed Durabrass (23kt Gold) | 36 425 977-28 |
| | Brushed Gold (PVD) | 36 425 977-37 |
| | Brushed Dark Brass (PVD) | 36 425 977-39 |
| | Brushed Bronze (PVD) | 36 425 977-42 |
| | Brushed Dark Platinum | 36 425 977-99 |

Recommended miscellaneous

| | | |
|--|----------------------------------------------------------------------------|---------------|
| | xGRID Attachment set for integrating in the dry wall construction - | 12 340 970 90 |
|--|----------------------------------------------------------------------------|---------------|

Required miscellaneous

| | | |
|--|-----------------------------------------------------------------------------------------------------------------|---------------|
| | Concealed thermostat with built-in isolators - | 35 426 970 90 |
| | <ul style="list-style-type: none"> • min. recess depth 80 mm • max. recess depth 136 mm | |

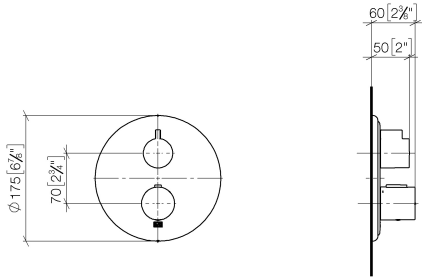
Required miscellaneous

| | | |
|--|-----------------------------------------------------------------------------------------------------------------|---------------|
| | Concealed thermostat - | 35 425 970 90 |
| | <ul style="list-style-type: none"> • min. recess depth 80 mm • max. recess depth 136 mm | |

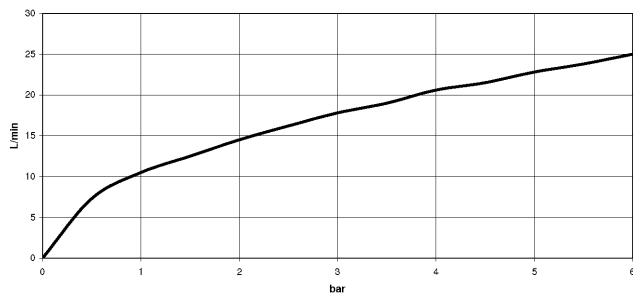
Required miscellaneous

| | | |
|--|------------------------------------------|---------------|
| | xGRID Installation track 555 mm - | 12 360 970 90 |
|--|------------------------------------------|---------------|

36 425 977 Product version up to 8/24/2020
mm [inches]



Flow rate chart



Codes & Standards

DIN 4109

EN 1111

ISO 3822

Scottish Water
Byelaws

UK Water Supply
Regulations

Ü-Zeichen

VA-Zeichen



MADISON Concealed thermostat with one function volume control - Durabrass
(23kt Gold)

MADISON

36 425 977 Product version up to 8/24/2020

Certificates and sustainability

LGA_19

ETA_20

LGA_19

DVGW_DW-
6512DN0

WRAS_250402

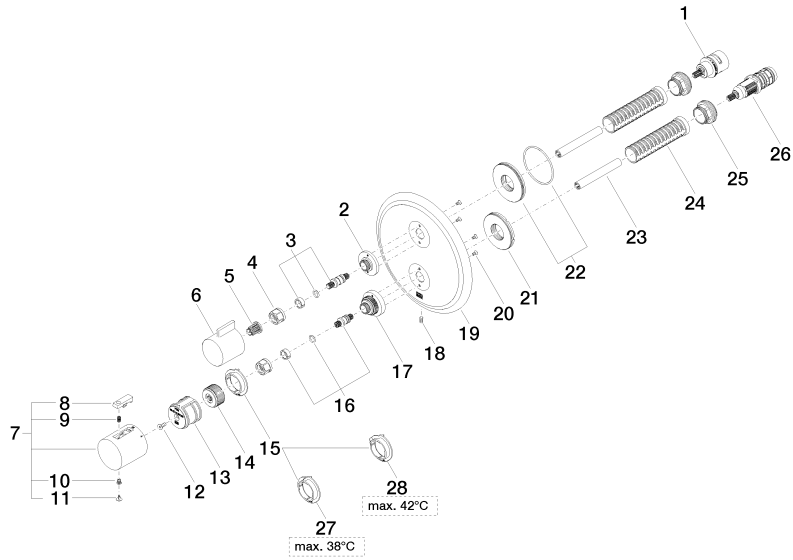
EPD-DOR-20230287

-IBA1-EN

Environmental.prod

uct-declarat

36 425 977 Product version up to 8/24/2020





MADISON Concealed thermostat with one function volume control - Durabronz (23kt Gold)

MADISON

36 425 977 Product version up to 8/24/2020

Spare parts list

| No. | Item Number | Name | Quantity used | Delivery time |
|------------------------------------------------------------------------|--------------------|----------------------------------------------------------------------|---------------|---------------|
| 7 | 90 17 33 004 00-09 | Handle for thermostat Ø 46 x 48 mm - Durabronz (23kt Gold) | 1.00 | - |
| Spare part can no longer be ordered, please order the replacement item | | | | |
| | 90173302000-09 | Handle for thermostat Ø 46 x 48 mm - Durabronz (23kt Gold) | | |
| 9 | 90 16 02 027 00 90 | Spring Ø 4,5 x 7,5 mm - | 1.00 | 14 |
| 16 | 04 29 06 024 01-00 | Spindle with double toothing Ø 12,15 x 30 mm - Chrome | 1.00 | 20 |
| 25 | 09 24 04 257 90 | Mounting Nut Ø 32 x 19,5 mm - | 2.00 | 14 |
| 28 | 09 28 10 189 90 | Temperature limitation ring Thermostat, black - | 1.00 | 14 |
| 22 | 90 30 01 190 00 90 | Connection Ø 55 x 9 mm - | 1.00 | 14 |
| 10 | 90 30 30 136 00 90 | Bolt - | 1.00 | 14 |
| 18 | 09 31 11 134 90 | Mounting Threaded pin with hexagon socket with point M4 x 10 mm - | 1.00 | 14 |
| 23 | 90 23 01 124 00 90 | Sleeve - | 2.00 | 14 |
| 21 | 09 30 01 296 90 | Shaft M24x1 Ø52 external - | 1.00 | 14 |
| 4 | 90 23 30 023 00 90 | Cap nut - | 2.00 | 14 |
| 5 | 90 12 12 002 00 90 | Fixing cap white Ø 15 x 12 mm - | 1.00 | 14 |
| 15 | 09 28 10 187 90 | Temperature limitation ring Thermostat - | 1.00 | 14 |
| 17 | 09 12 12 051-09 | Fixing cap mount Ø 35 x 26,5 mm - Durabronz (23kt Gold) | 1.00 | - |
| Spare part can no longer be ordered, please order the replacement item | | | | |
| 19 | 09 11 02 307-09 | Rosette for thermostat 1-way Ø 175 x 11,5 mm - Durabronz (23kt Gold) | 1.00 | - |
| Spare part can no longer be ordered, please order the replacement item | | | | |
| 24 | 90 18 40 077 01 90 | Sleeve - | 2.00 | 14 |
| 12 | 90 30 30 124 00 90 | Mounting Countersunk screw with hexagon socket M4 x 10 mm - | 1.00 | 14 |
| 11 | 90 31 20 049 00-13 | Plug - black | 1.00 | 40 |
| 14 | 09 12 12 054 90 | Handle mount Ø 28,50 x 16 mm - | 1.00 | 14 |
| 6 | 09 20 67 006-09 | Handle for thermostat 41 x 40 x 53 mm - Durabronz (23kt Gold) | 1.00 | - |
| Spare part can no longer be ordered, please order the replacement item | | | | |
| 1 | 90 90 03 166 00 90 | Head part Temperature maintenance head part Lifetime 90° Motion - | 1.00 | 14 |
| 13 | 90 12 12 052 00 90 | Retainer - | 1.00 | 14 |
| 3 | 04 29 06 111 01-00 | Spindle with double toothing Ø 12,15 x 37,2 mm - Chrome | 1.00 | 20 |
| 20 | 09 30 30 157 90 | Mounting Countersunk screw with hexagon socket M3 x 6 mm - | 4.00 | 14 |
| 26 | 90 15 02 013 00 90 | Thermostat cartridge Ø 27 x 82 mm, 16-18 l/min. - | 1.00 | 14 |
| 2 | 09 12 12 053-09 | Fixing cap mount Ø 34,5 x 15 mm - Durabronz (23kt Gold) | 1.00 | - |
| Spare part can no longer be ordered, please order the replacement item | | | | |
| 8 | 90 21 33 011 00-13 | Repair kit for thermostat handle - black | 1.00 | 14 |
| 27 | 09 28 10 188 90 | Temperature limitation ring Thermostat, 38° stop - | 1.00 | 14 |