

OT63...1000

1SCC340008M0004

Document no. 34OT63-2 D

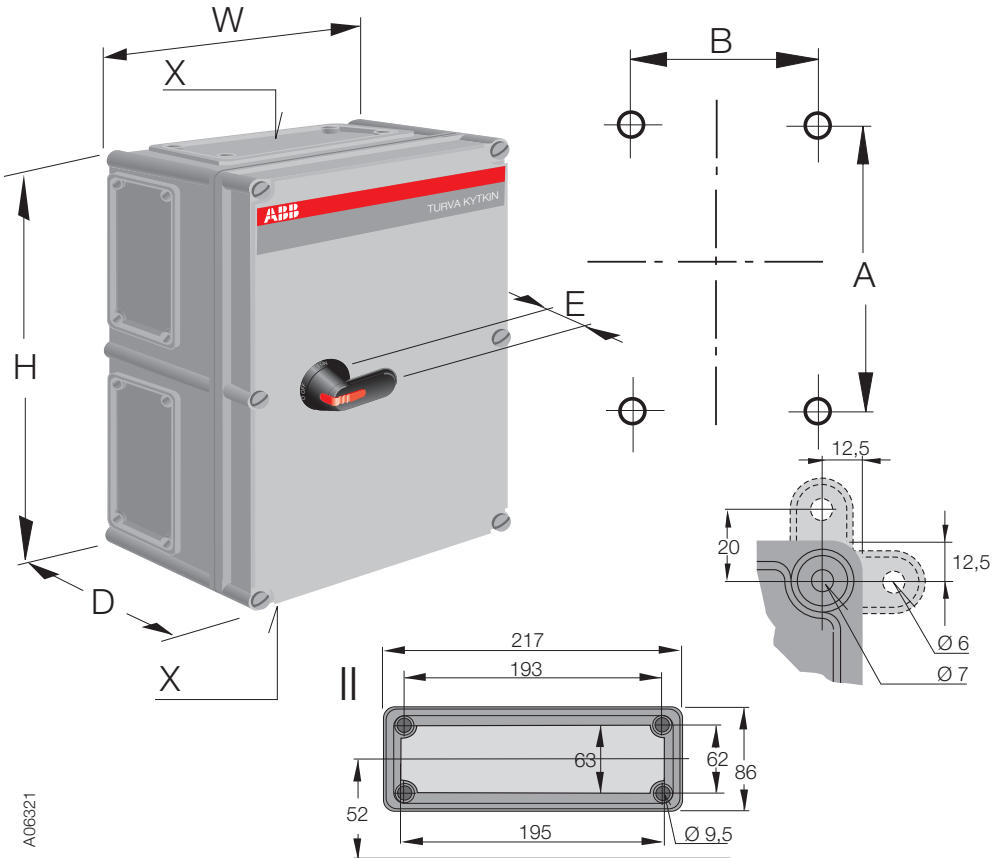


OT63...1000



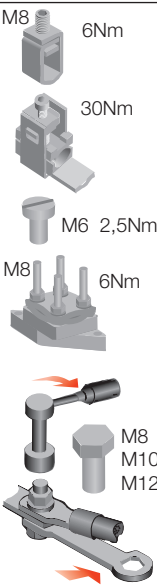
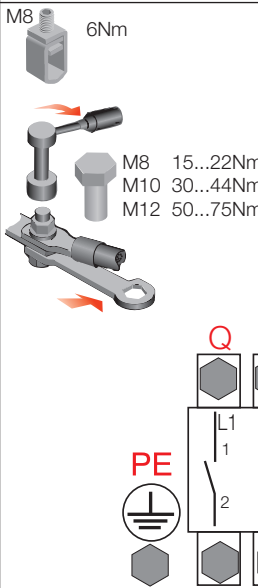

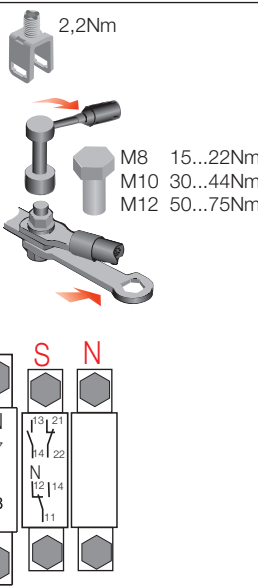
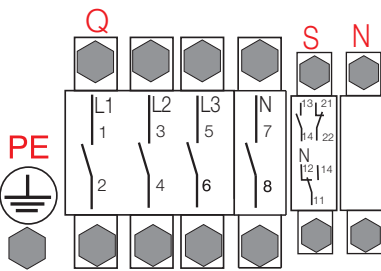
[mm]

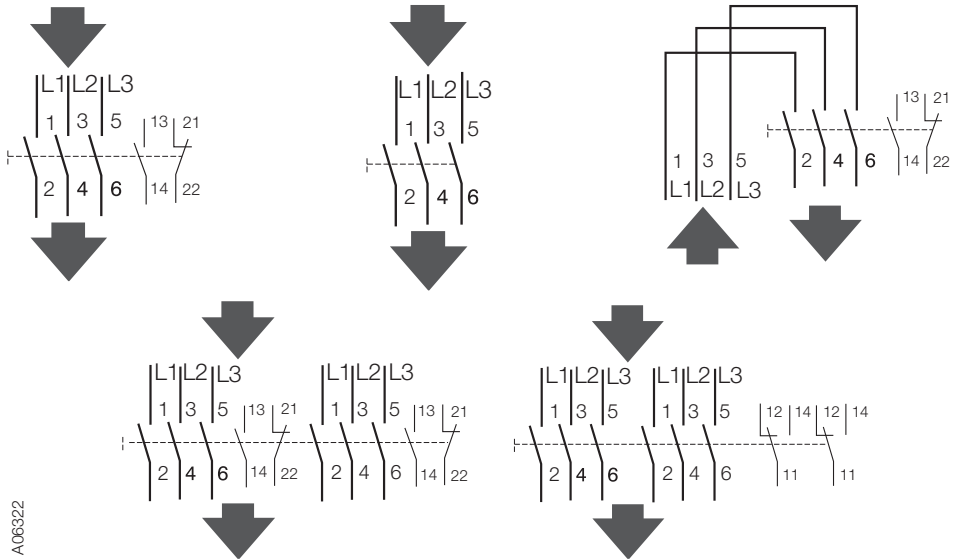
	H	W	D	E	A	B	X
380x280x130	380	280	130	45	355	255	II
560x280x180	560	280	180	45	535	255	II
560x380x180	560	380	180	45	535	355	II
840x380x180	840	380	180	45	815	355	II
760x560x250	760	560	250	45	735	535	2xII



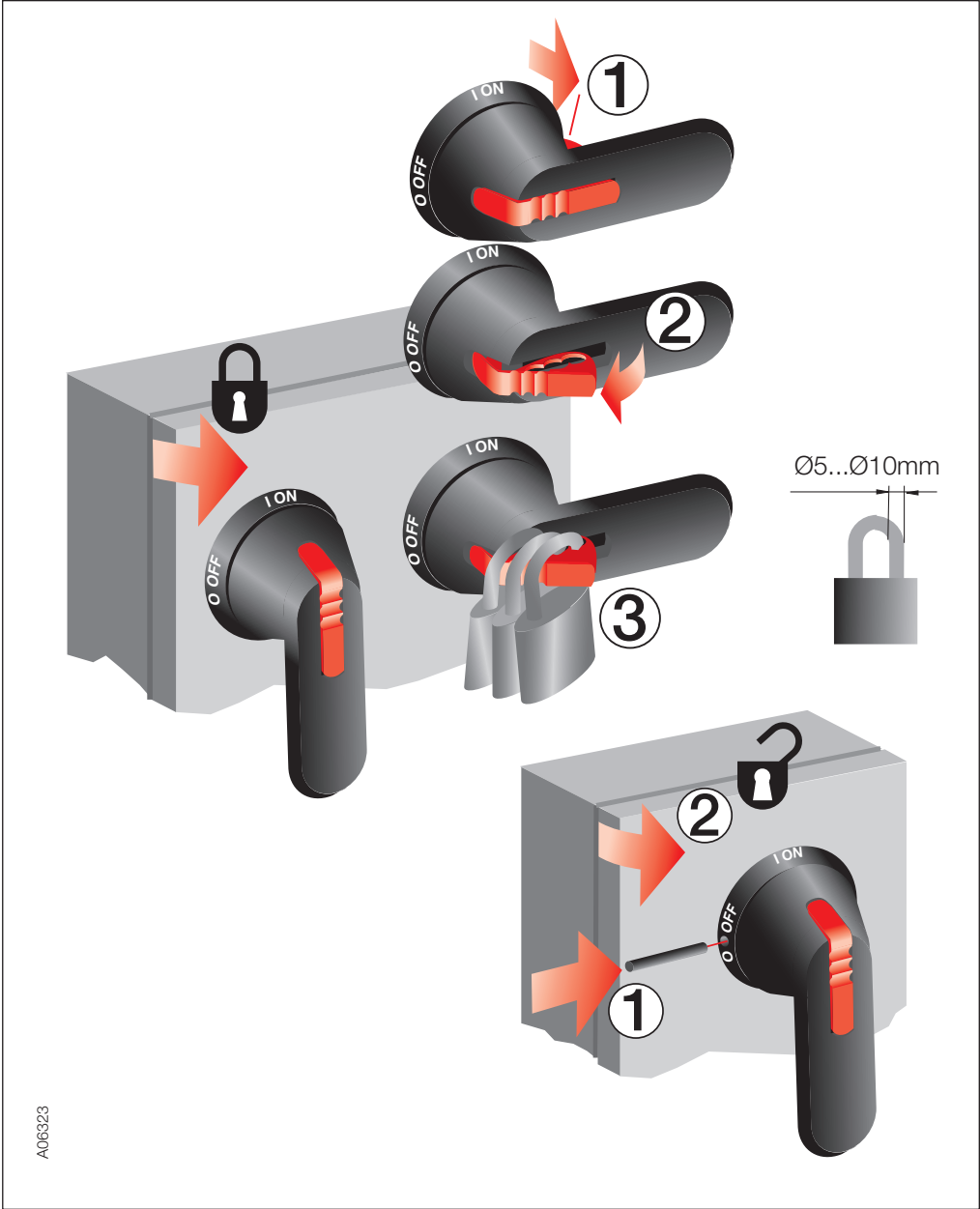
A06321

OT63...1000

		[Nm]	
PE	Q	S	N
 <p>M8 6Nm</p> <p>30Nm</p> <p>M6 2,5Nm</p> <p>M8 6Nm</p> <p>M8 15...22Nm M10 30...44Nm M12 50...75Nm</p>	 <p>M8 6Nm</p> <p>M8 15...22Nm M10 30...44Nm M12 50...75Nm</p>	 <p>13 21 14 22 0,5Nm</p> <p>12 114 11 0,9Nm</p>	 <p>2,2Nm</p> <p>M8 15...22Nm M10 30...44Nm M12 50...75Nm</p>
		 <p>Q S N</p> <p>PE</p> <p>L1 L2 L3 N</p> <p>1 3 5 7</p> <p>2 4 6 8</p> <p>13 21 14 22 12 114 11</p>	



OT63...1000



A06323

ABB Oy
Breakers and Switches
P.O.Box 622
FI-65101 Vaasa, Finland

Telephone +358 10 22 11
Telefax +358 10 224 5708

