

36 805 661 Product version from 4/1/2024



- 160mm projection
- fixed spout
- circular, air-enriched flow
- hole diameter 60 mm
- rosette Ø 78 mm
- max. spout flow rate 5.7 l/min
- with single-point mounting

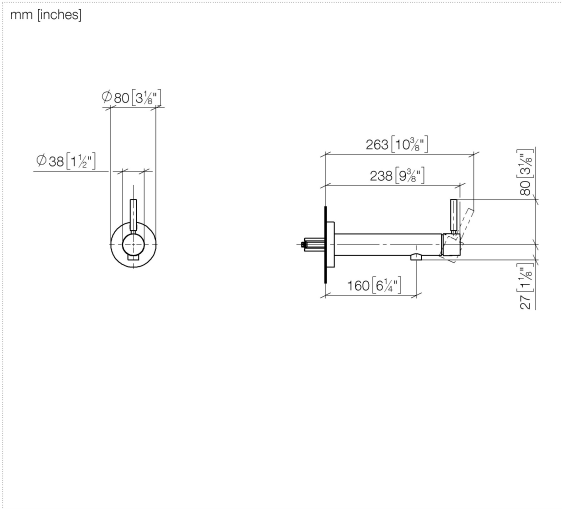
Required miscellaneous



- Concealed wall mounting -**
- min. recess depth 80 mm
 - max. recess depth 105 mm

35 050 970 90

36 805 661 Product version from 4/1/2024



Flow rate chart



Codes & Standards

DIN 4109

ISO 3822

Ü-Zeichen



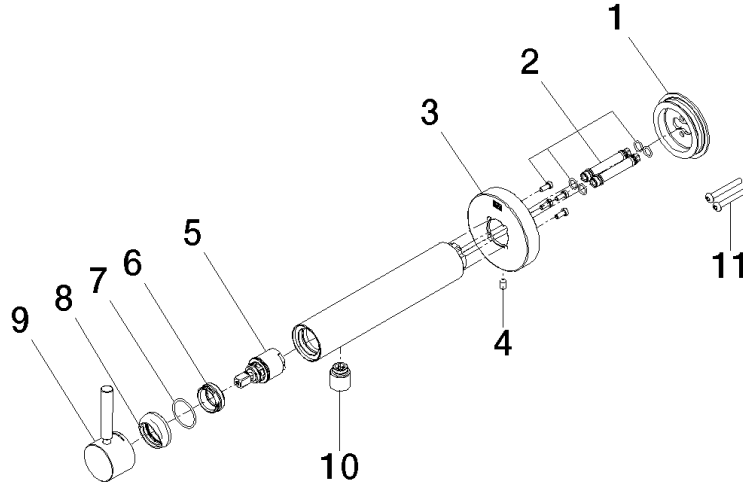
META Wall-mounted single-lever basin mixer without pop-up waste - Light Gold
(PVD)

META

36 805 661 Product version from 4/1/2024

Certificates and sustainability

LGA_38 EPD-DOR-20230287
 -IBA1-EN
 Environmental.prod
 uct-declarat



Spare parts list

| No. | Item Number | Name | Quantity used | Delivery time |
|--|--------------------|--|---------------|---------------|
| 3 | 90 27 66 026 00-26 | rosette | 1.00 | - |
| Spare part can no longer be ordered, please order the replacement item | | | | |
| 6 | 09 24 04 266 90 | Mounting Ø 28 x 10,8 mm - | 1.00 | 14 |
| 2 | 90 24 01 046 01 90 | Connection Guide sleeve complete - | 2.00 | 14 |
| 11 | 90 30 30 229 00 90 | Mounting Oval-head screw M5 x 40 mm - | 2.00 | 14 |
| 9 | 90 20 66 024 00-26 | Handle for washstand wall mounting Lever Ø 30 x 30 x 100 mm - Light Gold (PVD) | 1.00 | 40 |
| 1 | 90 30 11 232 00 90 | Wall disc 66,5 x 157 x 35 mm - | 1.00 | 14 |
| 10 | 90 23 01 168 00-26 | Aerator Ø 19 x 22 mm, 5,68 l/min. - Light Gold (PVD) | 1.00 | 40 |
| 7 | 09 14 10 120 90 | O-Ring NBR 885 26,7 x 1,78 mm - | 1.00 | 14 |
| 5 | 90 15 05 044 00 90 | Cartridge Ø 25 x 51 mm - | 1.00 | 14 |
| 8 | 09 28 30 043-26 | Cover Ø 35,7 x 13 mm - Light Gold (PVD) | 1.00 | 82 |
| 4 | 09 31 11 144 90 | Mounting Threaded pin with hexagon socket with point M6 x 10 mm - | 1.00 | 14 |