

META Wall-mounted single-lever basin mixer without pop-up waste - Brushed Bronze (PVD)

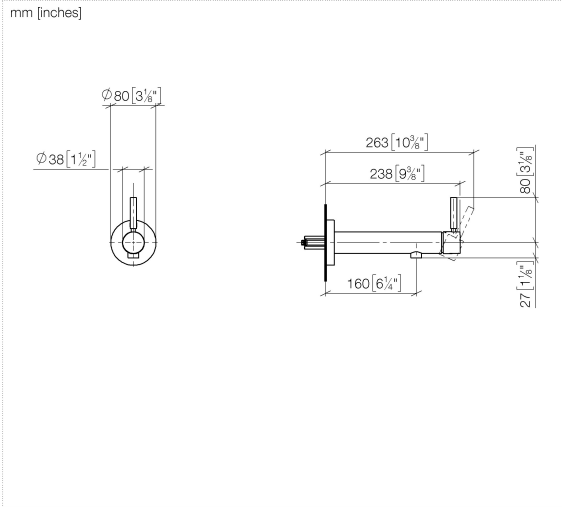
META

36 805 661 Product version from 4/1/2024



- 160mm projection
- fixed spout
- circular, air-enriched flow
- hole diameter 60 mm
- rosette Ø 78 mm
- max. spout flow rate 5.7 l/min
- with single-point mounting

36 805 661 Product version from 4/1/2024



Flow rate chart



Codes & Standards

DIN 4109

ISO 3822

Ü-Zeichen



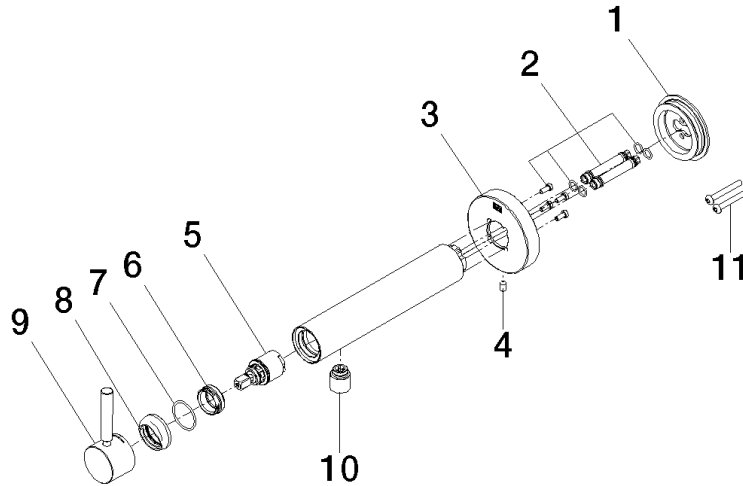
META Wall-mounted single-lever basin mixer without pop-up waste - Brushed Bronze (PVD)

META

36 805 661 Product version from 4/1/2024

Certificates and sustainability

LGA_38	EPD-DOR-20230287 -IBA1-EN Environmental.prod uct-declarat
--------	--



Spare parts list

No.	Item Number	Name	Quantity used	Delivery time
6	09 24 04 266 90	Mounting Ø 28 x 10,8 mm -	1.00	14
10	90 23 01 168 00-42	Aerator Ø 19 x 22 mm, 5,68 l/min. - Brushed Bronze (PVD)	1.00	40
5	90 15 05 044 00 90	Cartridge Ø 25 x 51 mm -	1.00	14
4	09 31 11 144 90	Mounting Threaded pin with hexagon socket with point M6 x 10 mm -	1.00	14
2	90 24 01 046 01 90	Connection Guide sleeve complete -	2.00	14
9	90 20 66 024 00-42	Handle for washstand wall mounting Lever Ø 30 x 30 x 100 mm - Brushed Bronze (PVD)	1.00	40
3	90 27 66 026 00-42	rosette	1.00	40
1	90 30 11 232 00 90	Wall disc 66,5 x 157 x 35 mm -	1.00	14
8	09 28 30 043-42	Cover Ø 35,7 x 13 mm - Brushed Bronze (PVD)	1.00	82
11	90 30 30 229 00 90	Mounting Oval-head screw M5 x 40 mm -	2.00	14
7	09 14 10 120 90	O-Ring NBR 885 26,7 x 1,78 mm -	1.00	14