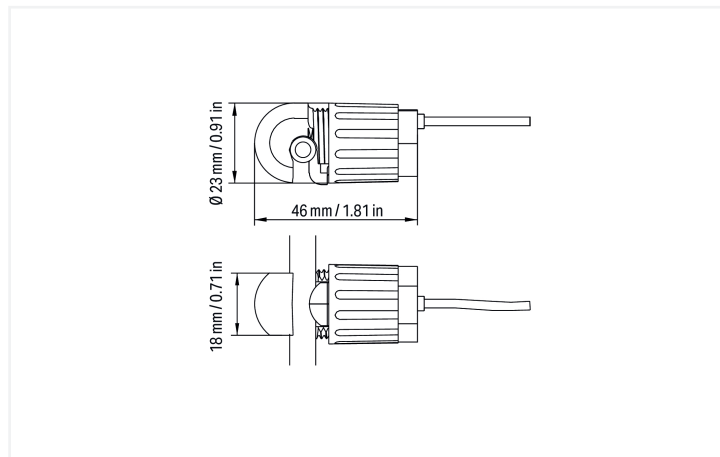


## Data Sheet | Item Number: 855-8004

Power tap; without fuse; 10 mm<sup>2</sup> (8 AWG) - 16 mm<sup>2</sup> (6 AWG); N-conductor

<https://www.wago.com/855-8004>



### Short description:

WAGO's Power Taps (855 Series) easily and safely tap the measurement voltage.

This allows a fuse-protected measurement voltage to be tapped from an insulated conductor with just one turn – no tools required.

### Features:

- Safely tap the measurement voltage with just one turn
- Tool-free assembly
- Secure mounting
- Cable length: 3 m

### Technical data

#### Input

Measured variable Voltage

#### Output – voltage tap

Continuous current (max.)	2 A
Fuse (voltage path)	-
Rated Voltage	400 VAC
Voltage drop	≤ 0.5 VAC

### Safety and protection

Rated impulse withstand voltage	6 kV
Overvoltage category	III
Pollution degree	2
Protection type	IP20
Test voltage	3 kVAC; 50 Hz; 1 min

### Connection Data

Feedthrough for measurement conductor	Ø 5 ... 7 mm
Cable type	Secondary side: 1 x 1.0 mm <sup>2</sup> ; flexible; with ferrule

#### Connection 1

Connection technology	IDC connection
Solid conductor	10 ... 16 mm <sup>2</sup> / 8 ... 6 AWG
Fine-stranded conductor	10 ... 16 mm <sup>2</sup> / 8 ... 6 AWG

### Physical data

Cable length	3 m
Width	23 mm / 0.906 inches
Height	50 mm / 1.969 inches
Depth	23 mm / 0.906 inches

### Mechanical data

Mounting type	Insulation displacement connection
Mounting type	Mounting on insulated round cable
Torque range	1.5 ... 2 Nm
Usability	Can be reused several times (max. 24 times)

### Material data

Housing material	PA 66
Fire load	0 MJ
Weight	21 g

### Environmental requirements

Ambient temperature (operation)	-5 ... +55 °C
Ambient temperature (storage)	-20 ... +70 °C
Relative humidity	5 ... 85 % (without condensation)
Operating altitude (max.)	2000 m

### Standards and Specifications

Conformity marking	CE
Standards/specifications	EN 60947-7-1

### Commercial data

PU (SPU)	10 (1) pcs
Packaging type	Box
Country of origin	NL
Customs tariff number	85366990990

### Product Classification

UNSPSC	39121410
eCl@ss 10.0	27-14-11-92
eCl@ss 9.0	27-14-11-92
ETIM 9.0	EC002848
ETIM 10.0	EC002848
ECCN	NO US CLASSIFICATION

### Environmental Product Compliance

RoHS Compliance Status Compliant, No Exemption

### Approvals / Certificates

#### General approvals



Approval	Standard	Certificate Name
EAC GZO Almaty Standart	TP TC 004/2011	EAC CoC 03082

### Downloads

#### Environmental Product Compliance

Compliance Search
Environmental Product Compliance 855-8004 <a href="#">↓</a>

### Documentation

Bid Text			
855-8004	19.02.2019	xml 4.97 KB	<a href="#">↓</a>
855-8004	20.02.2019	docx 17.21 KB	<a href="#">↓</a>

Instruction Leaflet		
Potentialabgriffe	pdf 77.71 KB	<a href="#">↓</a>

### 1 Compatible Products

#### 1.1 Optional Accessories

##### 1.1.1 Installation

##### 1.1.1.1 Current transformer terminal block



**Item No.: 2007-8876**  
Compact terminal block; for 3-phase current transformer circuit; 6,00 mm<sup>2</sup>; multicoloured



**Item No.: 2007-8873**  
Compact terminal block; for current and voltage transformers; 6,00 mm<sup>2</sup>; multicoloured



**Item No.: 2007-8874**  
Compact terminal block; for current and voltage transformers; 6,00 mm<sup>2</sup>; multicoloured



**Item No.: 2007-8875**  
Compact terminal block; for current transformer circuit; 6,00 mm<sup>2</sup>; multicoloured



**Item No.: 2007-8877**  
Compact terminal block; for current transformer circuit; 6,00 mm<sup>2</sup>; multicoloured

## 1.1.2 Signal conditioner

### 1.1.2.1 Power Measurement Module



**Item No.: 2857-570/024-001**

3-Phase Power Measurement Module; 3x277/480 V/1 A; Modbus RTU; Digital output; Configuration via software; Supply voltage: 24 VDC



**Item No.: 2857-570/024-005**

3-Phase Power Measurement Module; 3x277/480 V/5 A; Modbus RTU; Digital output; Configuration via software; Supply voltage: 24 VDC



**Item No.: 2857-570/024-000**

3-Phase Power Measurement Module; 3x277/480 V/RC; Modbus RTU; Digital output; Configuration via software; Supply voltage: 24 VDC



**Item No.: 857-569**

Power signal conditioner; Current and voltage input signal; Current and voltage output signal; Digital output; Configuration via software; Supply voltage: 24 VDC; 6 mm module width

### 1.1.2.2 Voltage signal conditioner



**Item No.: 857-560**

Voltage signal conditioner; Voltage input signal; Current and voltage output signal; Digital output; Configuration via software; Supply voltage: 24 VDC; 6 mm module width

## Installation Notes

### Installation



Installation on an insulated conductor with insulation displacement connection (IDC)