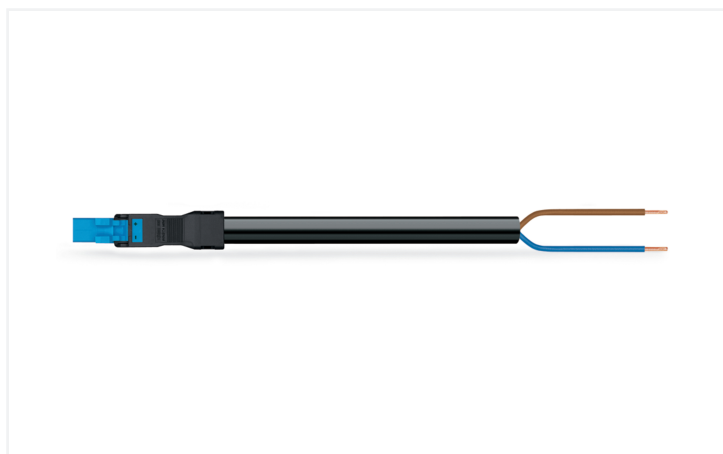


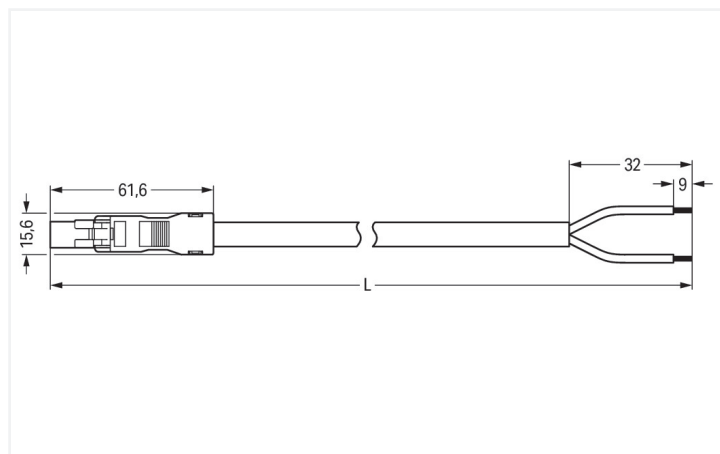
## Data Sheet | Item Number: 891-8982/206-701

pre-assembled connecting cable; Eca; Plug/open-ended; 2-pole; Cod. I; H05VV-F 2 x 1.5 mm<sup>2</sup>; 7 m; 1,50 mm<sup>2</sup>; blue

<https://www.wago.com/891-8982/206-701>



Color: ■ blue



Dimensions in mm

### Cable assembly WINSTA® MINI with strain relief

The WINSTA® MINI cable assembly 2-pole provides the foundation for installation of fine-stranded and solid conductors. WAGO pluggable installation connectors are useful when specifications repeat or are distributed on a specified pattern, for example for installing grid lighting or flush-mount lighting. The color coding and mechanical coding of the pluggable installation connector ensure error-free installation of the individual components – including protection against mismatching. WINSTA® MINI pluggable installation connectors with I coding in blue are primarily suitable for intelligent, for instance for the dimming function of DALI lights. Thanks to its particularly small dimensions, our WINSTA® MINI Pluggable Connection System with Push-in CAGE CLAMP® spring pressure connection technology is very suitable in very tight spaces, i.e., for installations when very little room is available. Of course, the safety of buildings must always be ensured, even after the electrical installation has been performed. The mandatory safety requirements in connection with EU CPR are fully satisfied by this product through fire class E.

### Pluggable connections instead of screw connections – cable assemblies from WAGO

The cable assembly is equipped with a plug and a free end. The WINSTA® Pluggable Connection System allows pluggable electrical installation. This saves time, lowers costs, and reduces the need for servicing. Enjoy the benefits of the pluggable version of our maintenance-free spring pressure connection technology too! Plan your installation with with protection type IP20 from WAGO.

- pluggable installation connectors with protection against mismatching
- compact design for conductors with a cross-section up to 1.5 mm<sup>2</sup>
- with I coding for use in the automation of buildings (lighting control)
- ready to install and use immediately
- quick replacement of defective units during ongoing operation

### Notes

Note Cables with a different fire class can be found in the eShop.

### Electrical data

| Rated per                       | IEC/EN 60664-1 |     |    |
|---------------------------------|----------------|-----|----|
| Overvoltage category            | III            | III | II |
| Pollution degree                | 3              | 2   | 2  |
| Nominal voltage                 | 250 V          | -   | -  |
| Rated impulse withstand voltage | 4 kV           | -   | -  |
| Rated current                   | 16 A           | -   | -  |

### General information

Note on contact resistance approx. 1 mΩ of contact resistance  
approx. 0.25 mΩ contact transition plug/  
socket

## Connection Data

|                            |                           |                                 |                     |
|----------------------------|---------------------------|---------------------------------|---------------------|
| Total number of potentials | 2                         | <b>Connection 1</b>             |                     |
| Conductor preparation      | ultrasonically tip-bonded | Strip length                    | 9 mm / 0.35 inches  |
|                            |                           | Pole number                     | 2                   |
|                            |                           | Wire cross-section              | 1.5 mm <sup>2</sup> |
|                            |                           | Strip length (outer insulation) | 32 mm               |
|                            |                           | Connection type                 | Plug - free end     |

## Physical data

|              |                        |
|--------------|------------------------|
| Pin spacing  | 4.4 mm / 0.173 inches  |
| Width        | 15.6 mm / 0.614 inches |
| Height       | 13.2 mm / 0.52 inches  |
| Total length | 7 m                    |

## Mechanical data

|   |   |
|---|---|
| Use                                     | DALI, Lighting Management                                     |
| Coding                                  | I   |
| Variable coding                         | No  |
| Marking                                 | + -   |
| Potential marking                       | + -   |
| Mating force of a plug-in connection    | approx. 20 ... 70 N (depending on pole number)                |
| Retention force of a plug-in connection | when locked: > 80N  |
| Unmating force of a plug-in connection  | when unlocked: approx. 20 ... 70 N (depending on pole number) |
| Number of mating cycles                 | 200, without resistive load                                   |
| Connection type                         | Plug - free end   |
| Type of pre-assembled cable             | Connecting cable  |
| Cable type                              | H05VV-F 2x1.5   |
| Protection type                         | IP20; IP40 when mated   |

## Plug-in connection

|                               |  |
|-------------------------------|--|
| Mismating protection          | Yes  |
| Note on mismating protection  | All <i>WINSTA</i> ® components are 100% protected against mismating when:<br>a.) plugging different numbers of poles<br>b.) plugging while rotated 180<br>c.) plugging while laterally staggered<br>d.) plugging one pole  |
| Locking lever                 | Can be retrofitted   |
| Locking of plug-in connection | Locking lever  |
| Note on locking system        | All connectors for mounted installations (snap-in versions for lighting fixtures or devices, all types of PCB and distribution connectors) are factory-equipped with locking levers to ensure plugs and sockets are securely locked. Additional locking levers are only required for flying leads (plug/socket). |

## Material data

|                                    |  |
|------------------------------------|--|
| Note (material data)               | <a href="#">Information on material specifications can be found here</a> |
| Color                              | blue   |
| Insulation material (main housing) | Polyamide (PA66)   |
| Fire class per EN 50575            | E <sub>ca</sub>  |
| Contact material                   | Copper or copper alloy; surface-treated                                  |
| Contact Plating                    | Tin  |
| Fire load                          | 209.585 MJ   |
| Connector color                    | blue   |
| Strain relief color                | black  |
| Sheathed cable color               | black  |

### Material data

|                                  |            |
|----------------------------------|------------|
| Printing color of sheathed cable | white      |
| Halogen-free                     | No         |
| Silicon-free                     | Yes        |
| Sheath material                  | PVC        |
| Rubber cable                     | No         |
| Weight                           | 579.4 g    |
| Copper weight of the raw cable   | 0.029 kg/m |

### Environmental requirements

|  |   |
|--|---|
| Processing temperature                   | -5 ... +40 °C   |
| Continuous operating temperature         | -35 ... +85 °C  |
| Note on continuous operating temperature | Cable for temperatures ≤ 70 °C (including halogen-free)<br>Insulating parts for temperatures ≤ 105 °C |

### Commercial data

|                       |               |
|-----------------------|---------------|
| PU (SPU)              | 1 pcs         |
| Packaging type        | unpacked      |
| Country of origin     | PL            |
| GTIN                  | 4055143350938 |
| Customs tariff number | 85444290900   |

### Product Classification

|             |                      |
|-------------|----------------------|
| UNSPSC      | 26121629             |
| eCl@ss 10.0 | 27-44-06-04          |
| eCl@ss 9.0  | 27-44-06-04          |
| ETIM 9.0    | EC002587             |
| ETIM 10.0   | EC002587             |
| ECCN        | NO US CLASSIFICATION |

### Environmental Product Compliance

|                        |                         |
|------------------------|-------------------------|
| RoHS Compliance Status | Compliant, No Exemption |
|------------------------|-------------------------|

### Approvals / Certificates

#### General approvals



| Approval                              | Standard | Certificate Name |
|---------------------------------------|----------|------------------|
| CCA<br>DEKRA Certification B.V.       | EN 61535 | NTR NL-7971      |
| KEMA/KEUR<br>DEKRA Certification B.V. | EN 61535 | 71-123232        |

#### Declarations of conformity and manufacturer's declarations

| Approval  | Standard | Certificate Name |
|---|----------|------------------|
| EU-Declaration of Confor-<br>mity<br>WAGO GmbH & Co. KG | -        | -                |
| UK-Declaration of Confor-<br>mity<br>WAGO GmbH & Co. KG | -        | -                |

## Downloads

### Environmental Product Compliance

| Compliance Search                |  |  |   |
|----------------------------------|--|--|---|
| Environmental Product Compliance |  |  | ↓ |
| 891-8982/206-701                 |  |  |   |

## Documentation

| Bid Text         |            |                 |   |
|------------------|------------|-----------------|---|
| 891-8982/206-701 | 19.02.2019 | xml<br>3.05 KB  | ↓ |
| 891-8982/206-701 | 24.11.2014 | doc<br>24.50 KB | ↓ |

## CAD/CAE-Data

| CAE data         |   |
|------------------|---|
| WSCAD Universe   | ↓ |
| 891-8982/206-701 |   |

## 1 Compatible Products

### 1.1 Required Accessories

#### 1.1.1 Locking system

##### 1.1.1.1 Locking system



**Item No.: 890-111**  
Locking lever; for flying leads; for tool operation; black

**Item No.: 890-131**  
Locking lever; for flying leads; for tool operation; white

**Item No.: 890-101**  
Locking lever; for manual operation; black

**Item No.: 890-121**  
Locking lever; for manual operation; white

### 1.2 Optional Accessories

#### 1.2.1 Cover

##### 1.2.1.1 Cover



**Item No.: 897-2001**  
Protective cap; Type1; for sockets and plugs; PVC; red

## 1.2.2 Installation

### 1.2.2.1 Mounting accessories



Item No.: [890-310](#)

Mounting carrier; 2- to 5-pole; for flying leads; black



Item No.: [890-311](#)

Mounting carrier; 2- to 5-pole; for flying leads; white