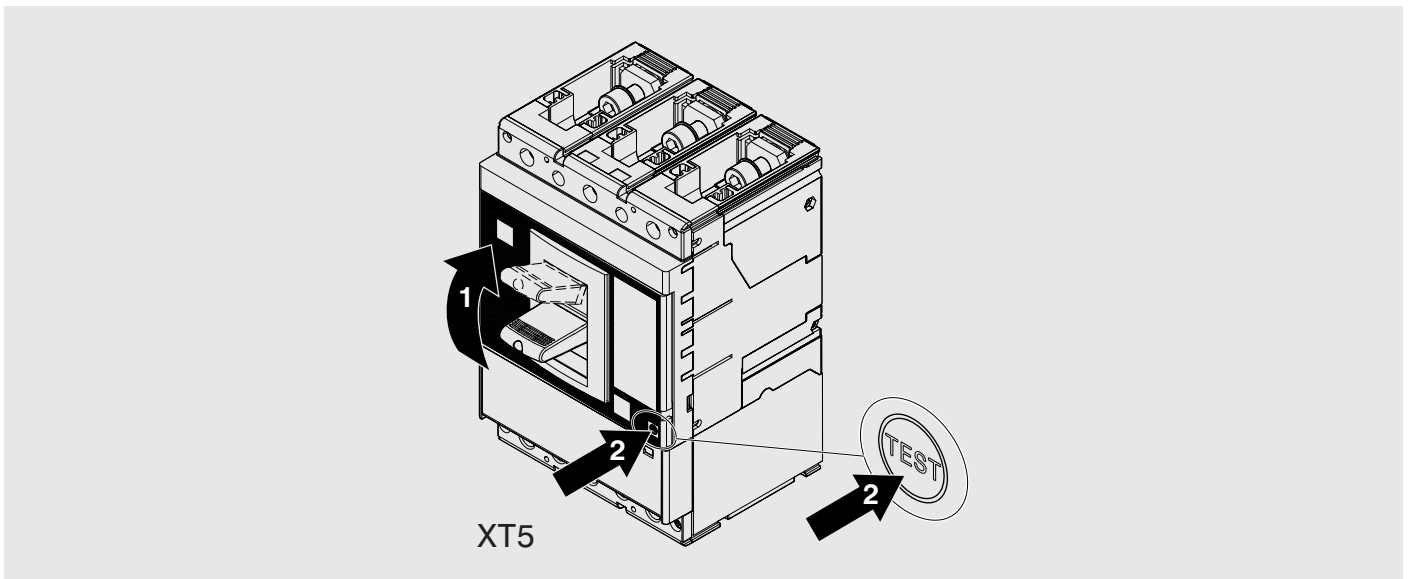
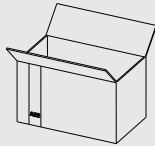
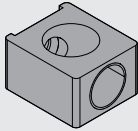
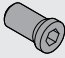



SACE Tmax XT

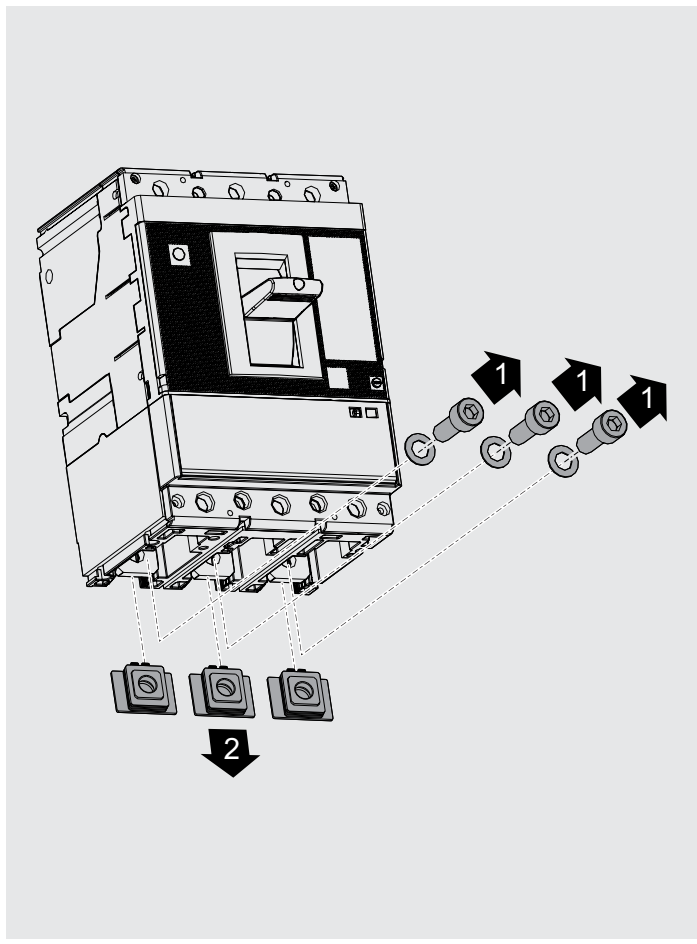
FC CuAl - Terminali anteriori per cavi in rame - alluminio 185...300 mm² kcmil XT5
FC CuAl - Front terminals for copper - aluminum cables 185...300 mm² kcmil XT5
FC CuAl - Vorderseitige Anschlüsse für Kabel aus Kupfer - Aluminium 185...300 mm² kcmil XT5
FC CuAl - Prises avant pour câbles en cuivre - aluminium 185...300 mm² kcmil XT5
FC CuAl - Terminales frontales para cables de cobre - aluminio 185...300 mm² kcmil XT5
FC CuAl - 銅鋁電纜前端子185...300 mm² XT5

XT5

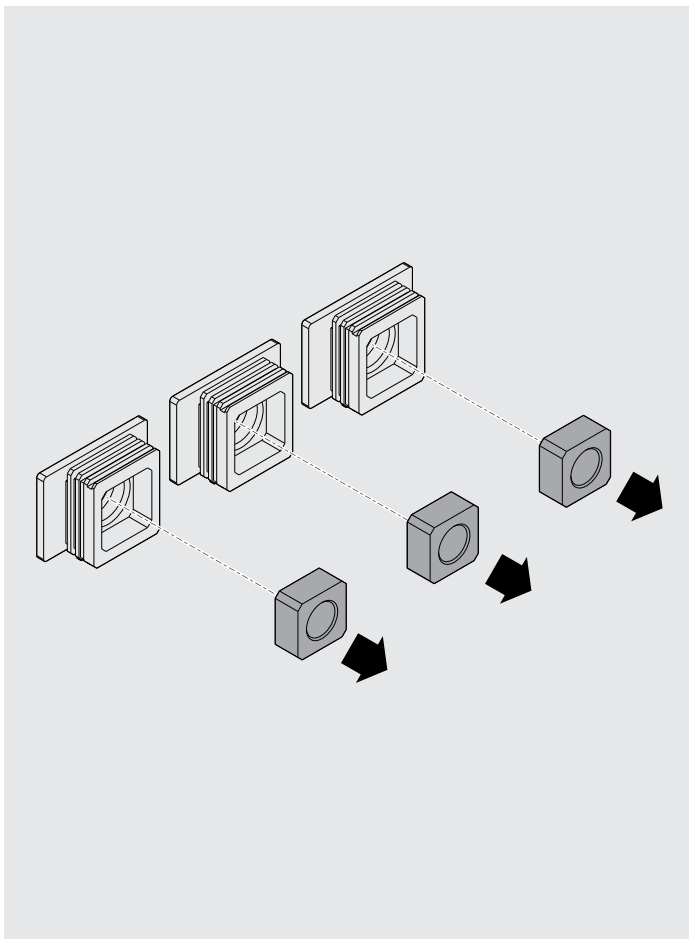


		3p	4p
A		3	4
B		3	4
C		3	4

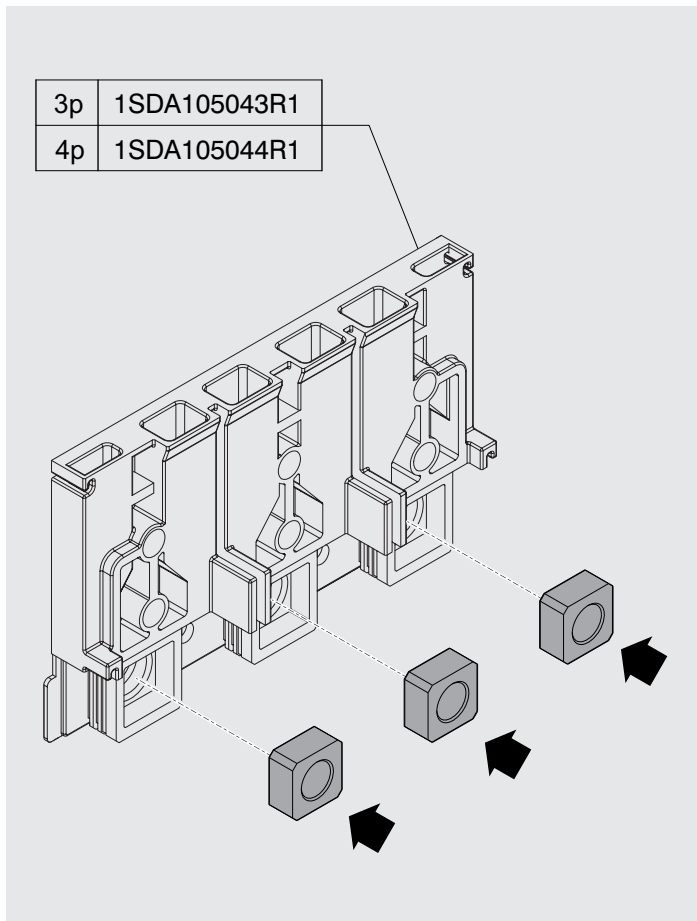
1 Example for supply from lower terminals, $\geq 500V - F$



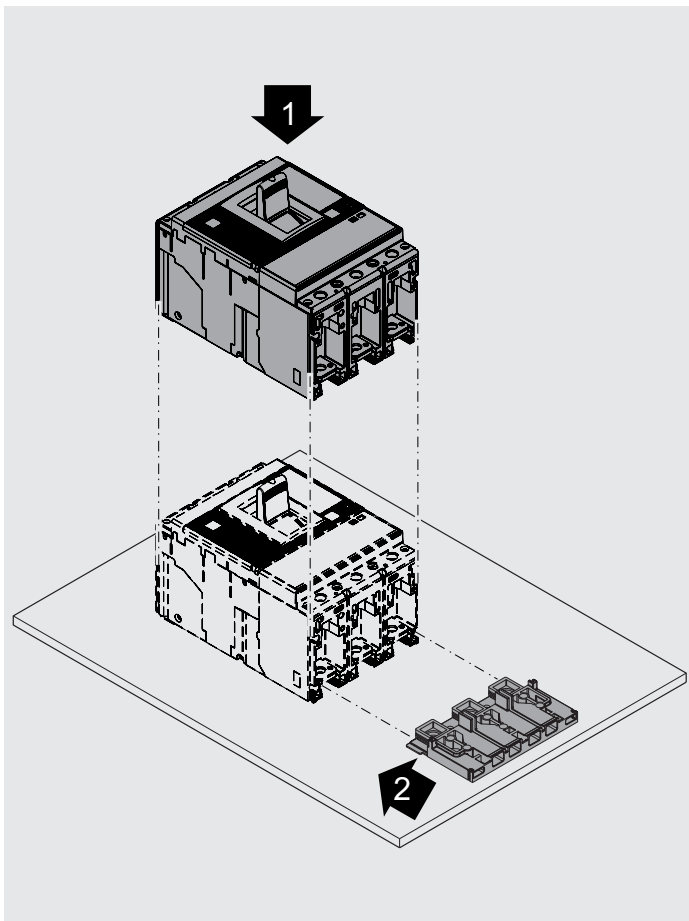
2 Example for supply from lower terminals, $\geq 500V - F$



3 Example for supply from lower terminals, $\geq 500V - F$

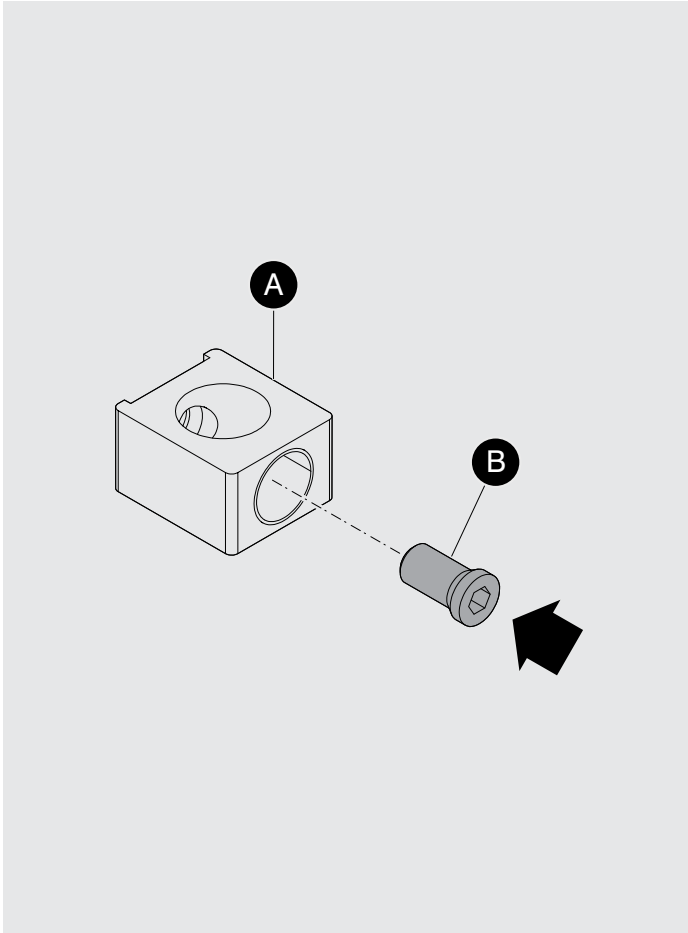


4 Example for supply from lower terminals, $\geq 500V - F$



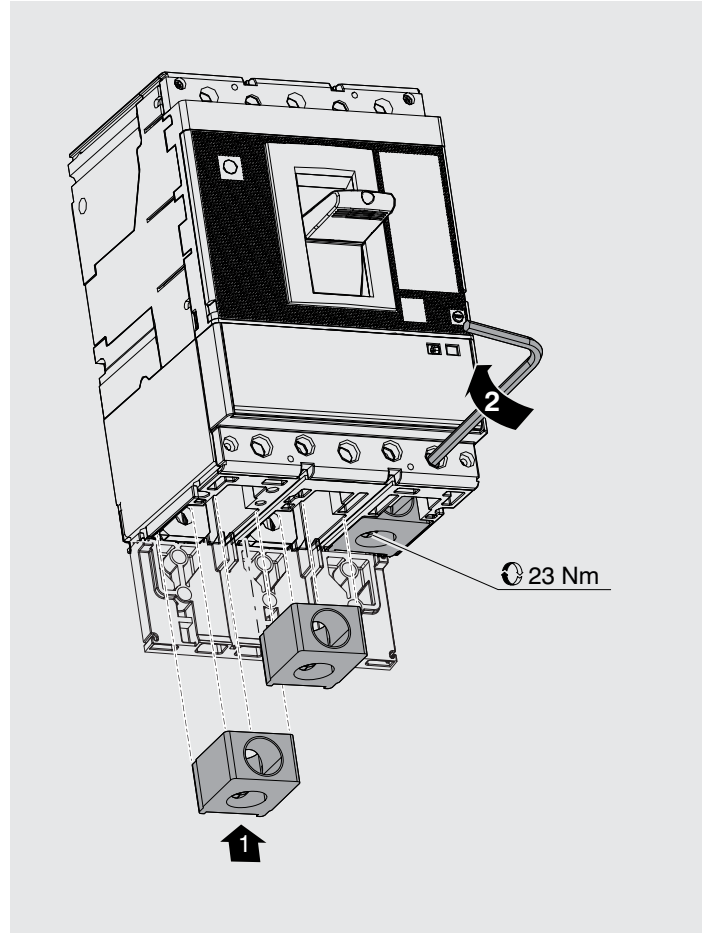
5

F

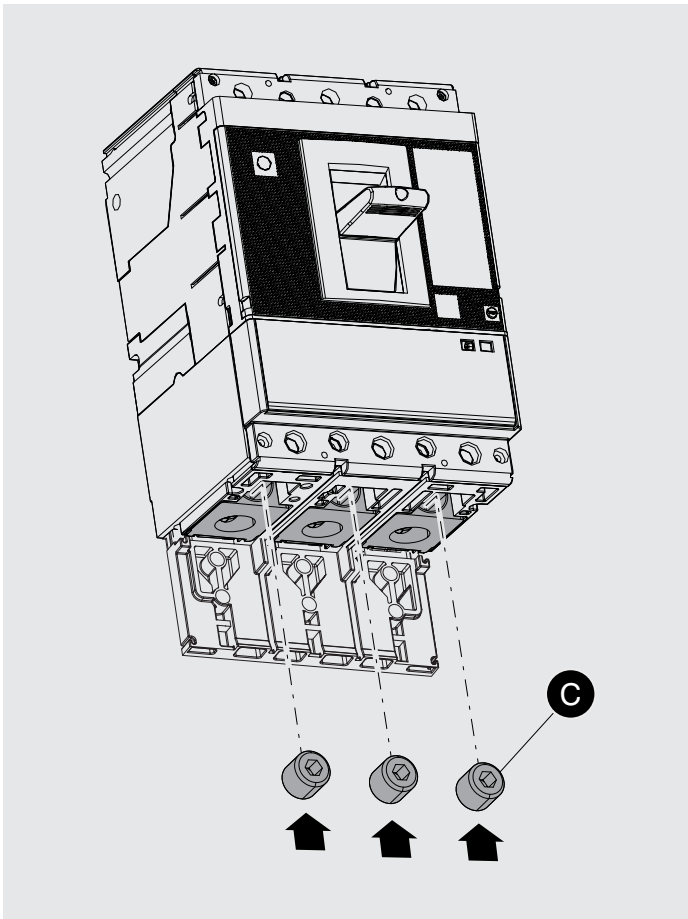


6

Example for supply from lower terminals, $\geq 500V - F$

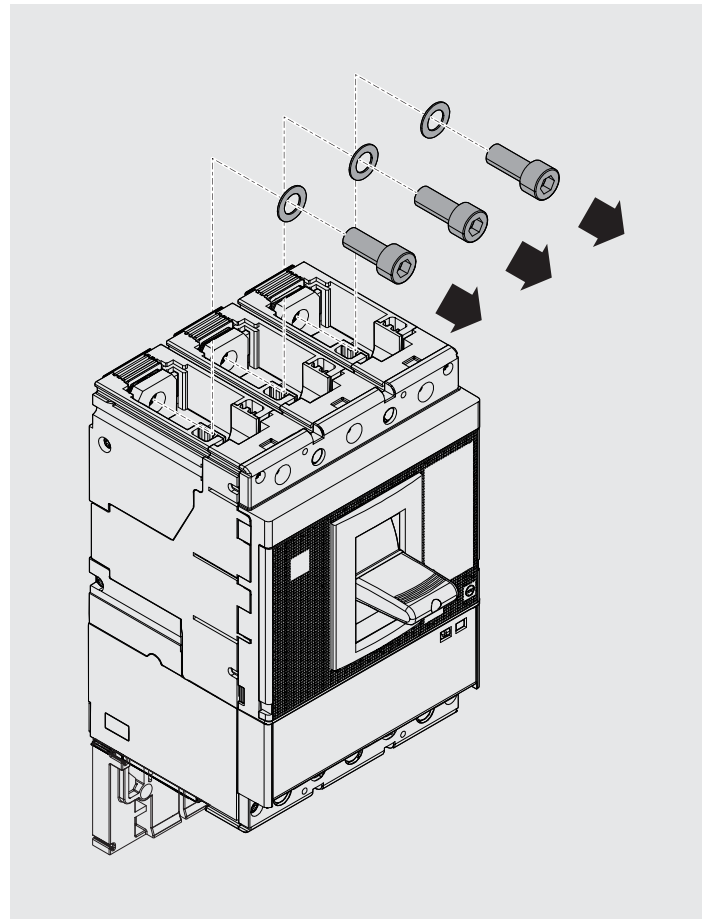


7 Example for supply from lower terminals, $\geq 500V - F$

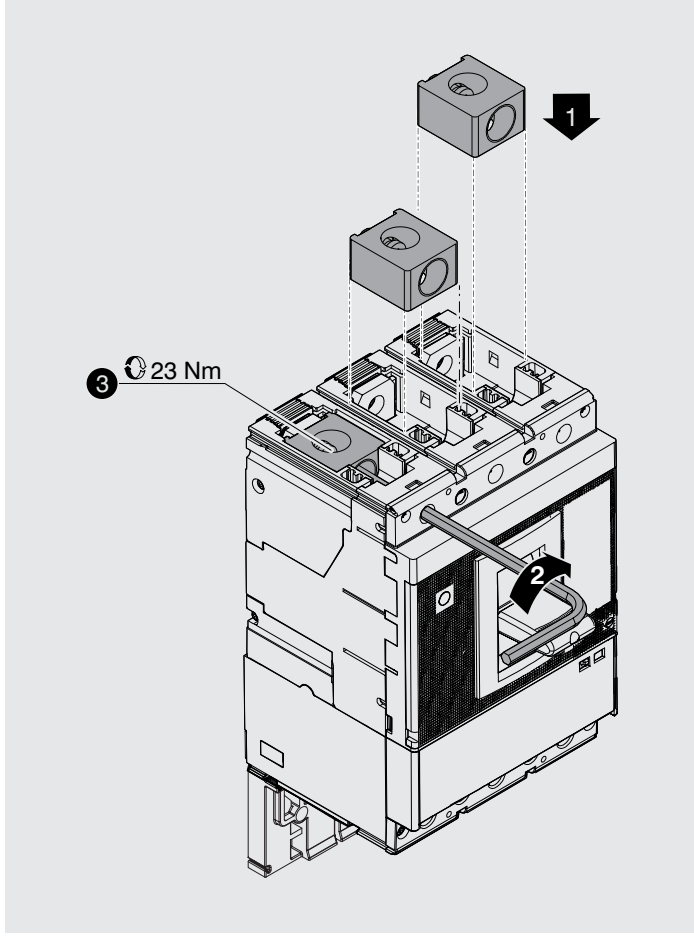


8

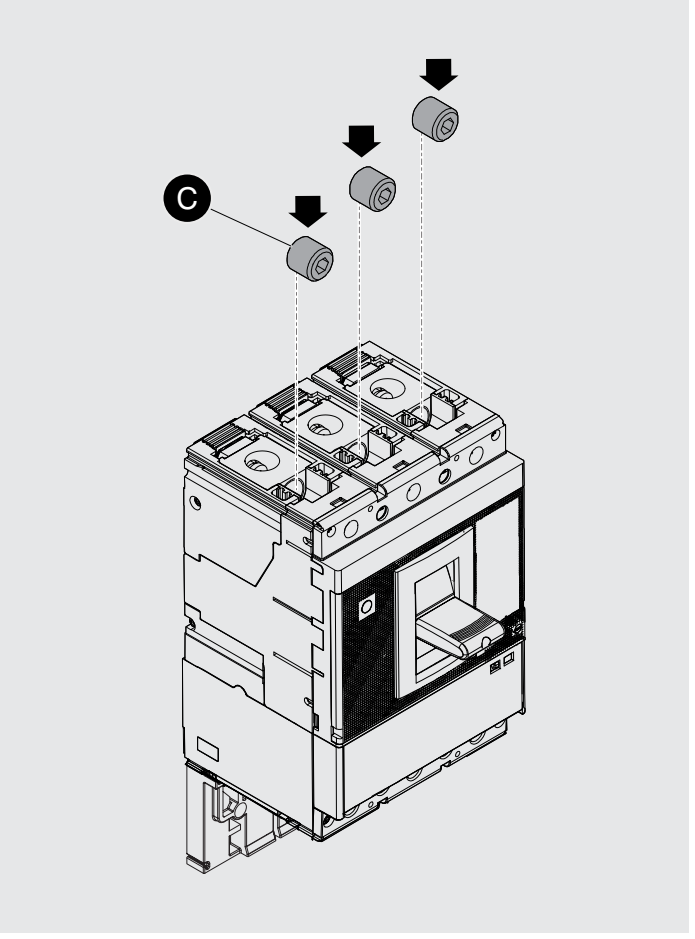
Example for supply from lower terminals, $\geq 500V - F$



9 Example for supply from lower terminals, $\geq 500V$ - F

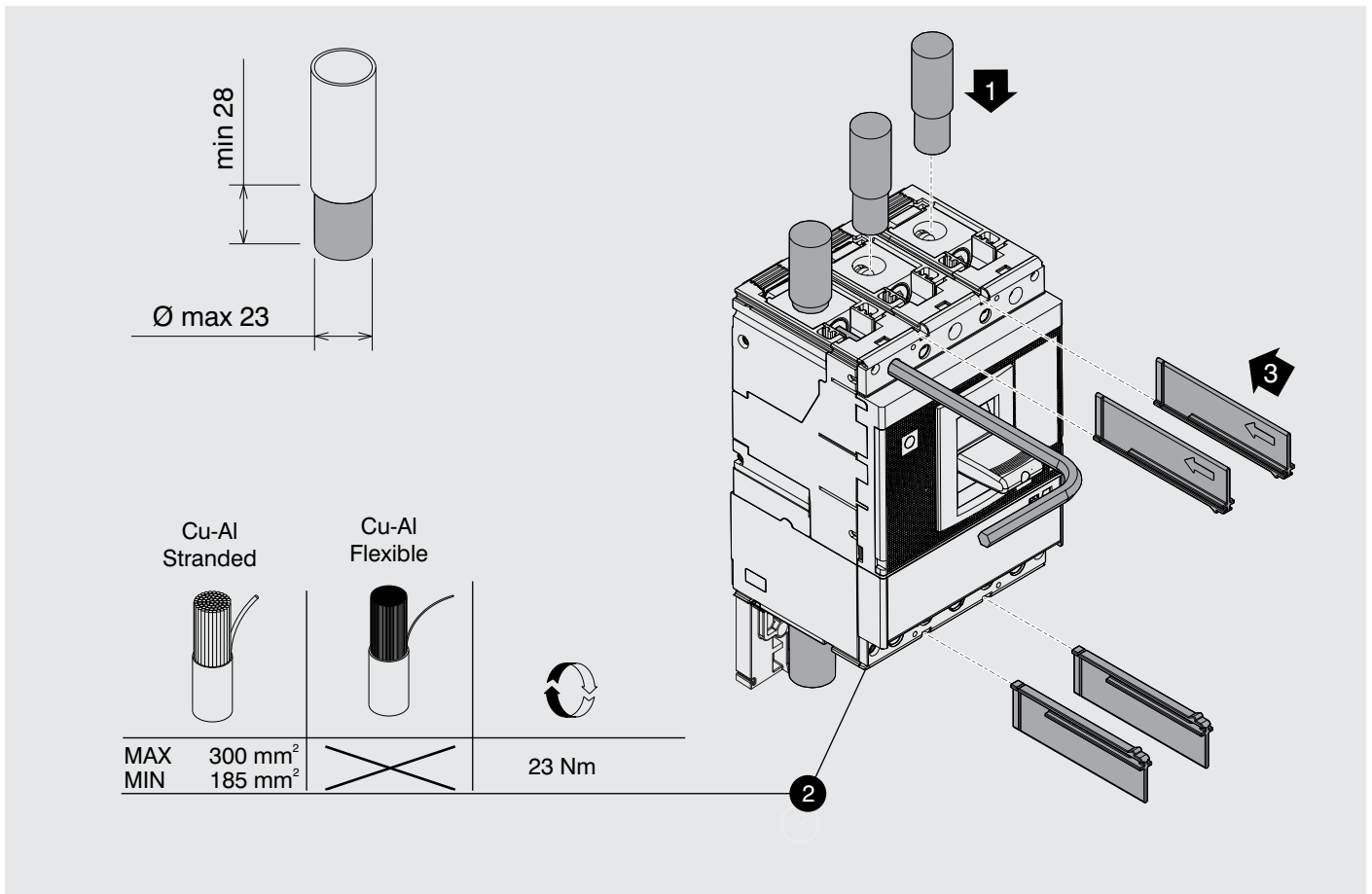


10 Example for supply from lower terminals, $\geq 500V$ - F



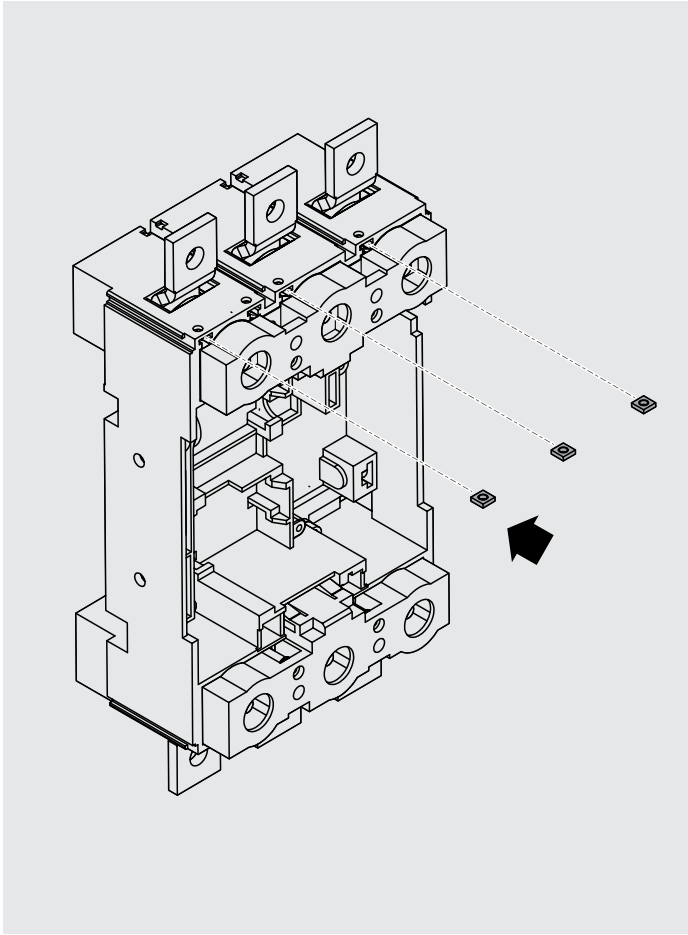
11

F



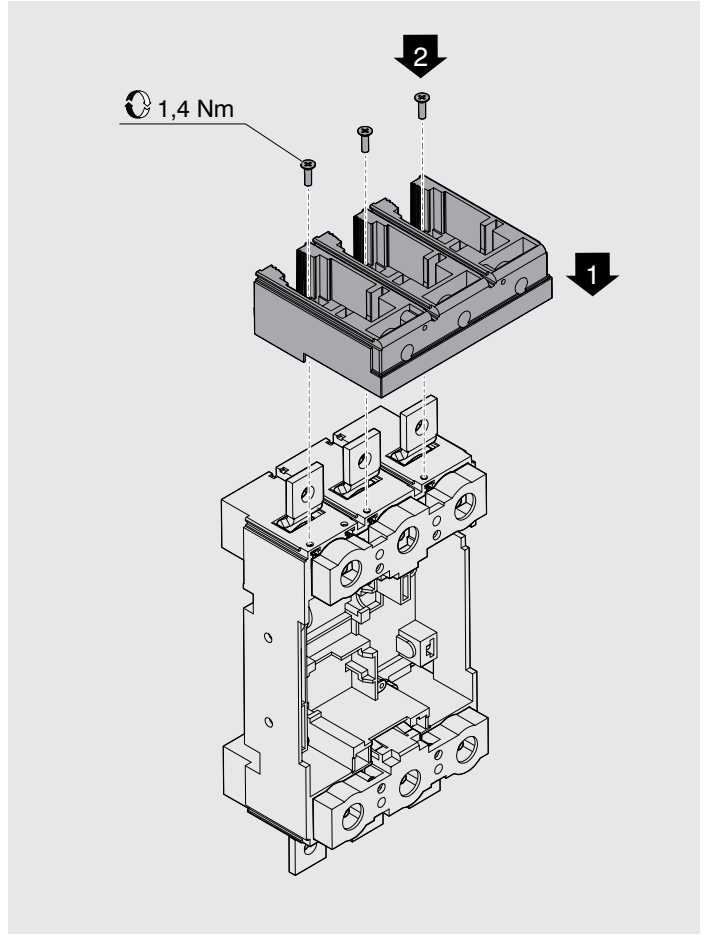
12

P - W



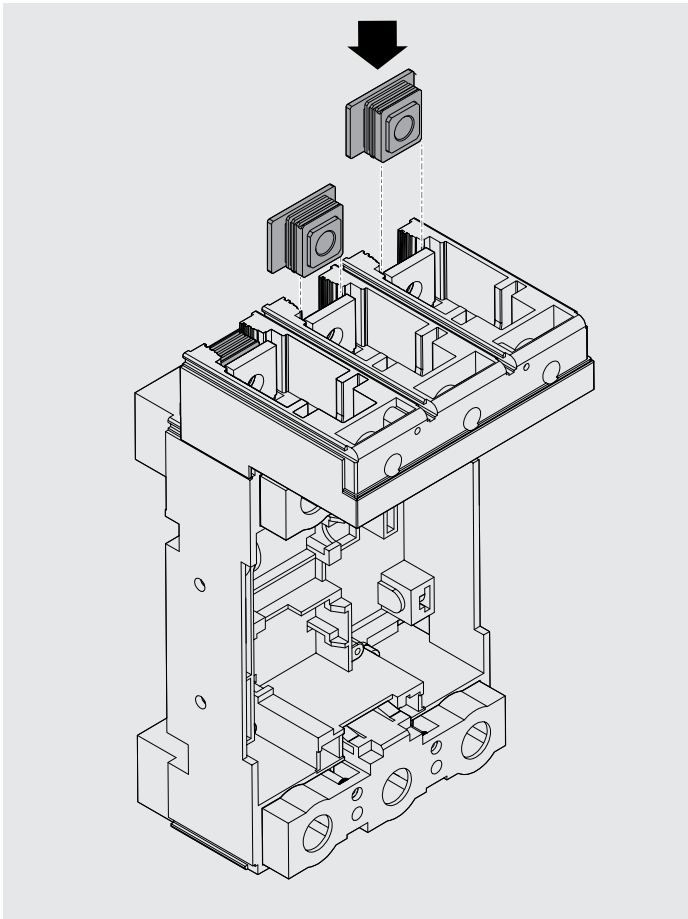
13

P - W



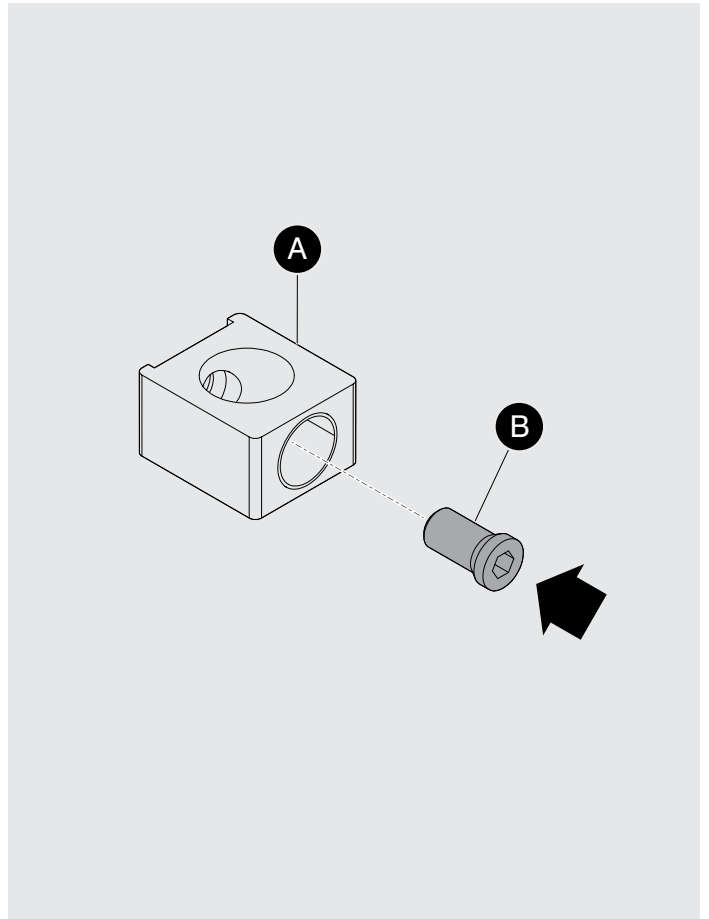
14

P - W



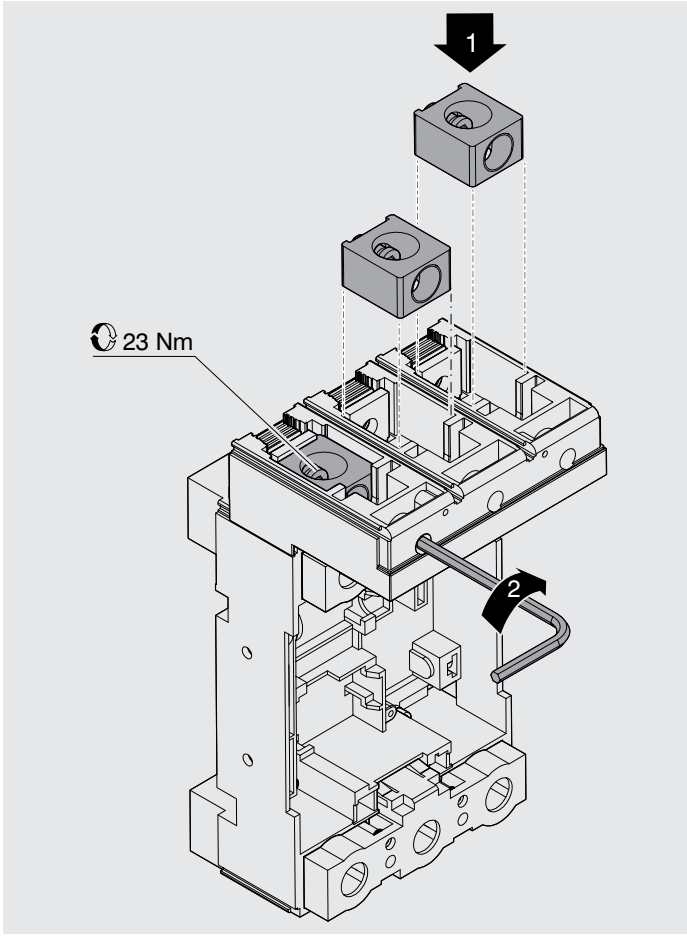
15

P - W



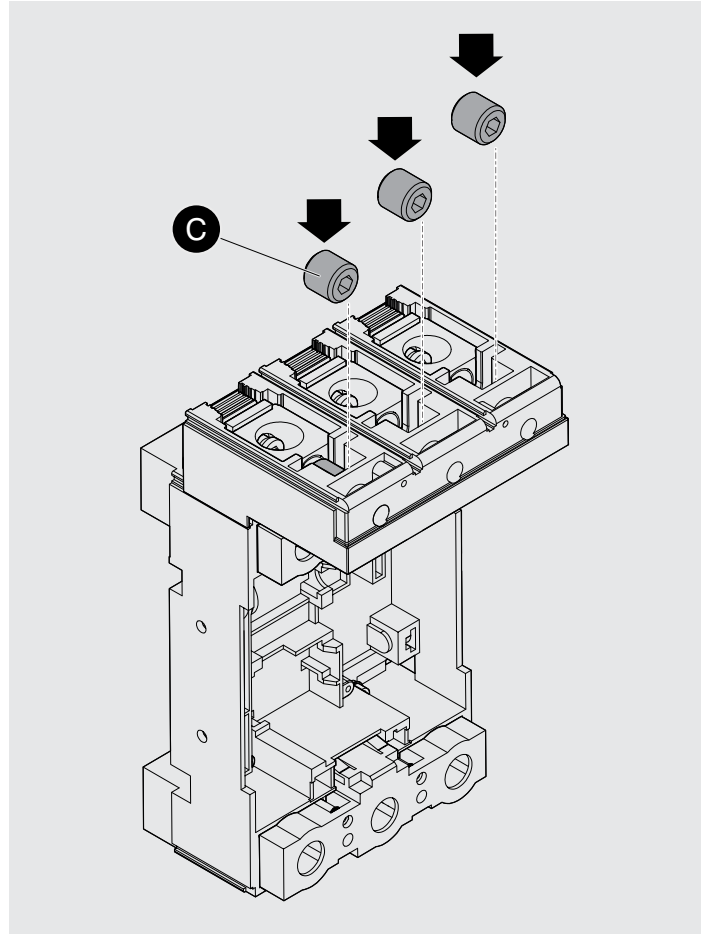
16

P - W



17

P - W



18

P - W

