






11 420 220 Product version from 4/1/2025



	Platinum	11 420 220-08
	Chrome	11 420 220-00
	Brushed Platinum	11 420 220-06
	Durabass (23kt Gold)	11 420 220-09
	Brushed Bronze (PVD)	11 420 220-42



Temperature control handle - Platinum

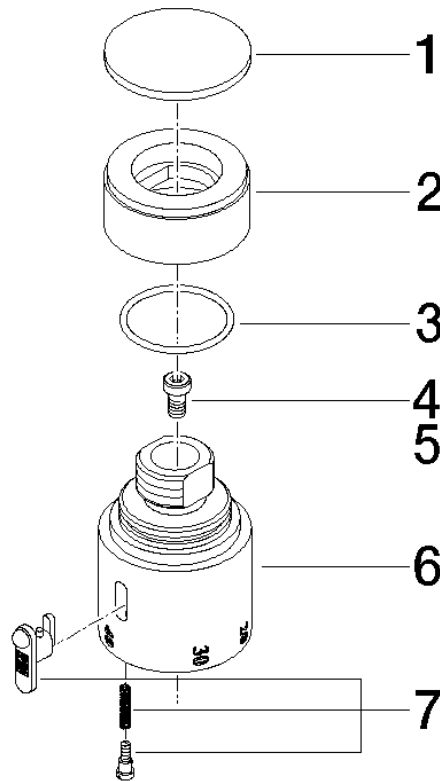
SERIES-VARIOUS

11 420 220 Product version from 4/1/2025



11 420 220 Product version from 4/1/2025

Parts for other finishes can be found here: [Chrome](#)



Spare parts list

No.	Item Number	Name	Quantity used	Delivery time
4	90 30 30 027 00 90	Mounting Cylinder head screw with hexagon socket M5 x 10 mm -	1.00	14
5	09 30 33 004 90	Mounting 5 x 10 mm -	1.00	14
3	09 14 10 040 90	O-Ring 31,0 x 2,0 mm -	1.00	14
2	09 20 22 021-08	Handle Ø 45 x 20 mm - Platinum	1.00	-
Spare part can no longer be ordered, please order the replacement item				
7	90 21 33 020 00 90	Regulating insert for thermostat Safety button black -	1.00	14
1	09 20 31 005-08	Cover Ø 45 x 8 mm - Platinum	1.00	-
Spare part can no longer be ordered, please order the replacement item				
6	09 17 33 002-08	Handle for thermostat Ø 47 x 50 mm - Platinum	1.00	-
Spare part can no longer be ordered, please order the replacement item				