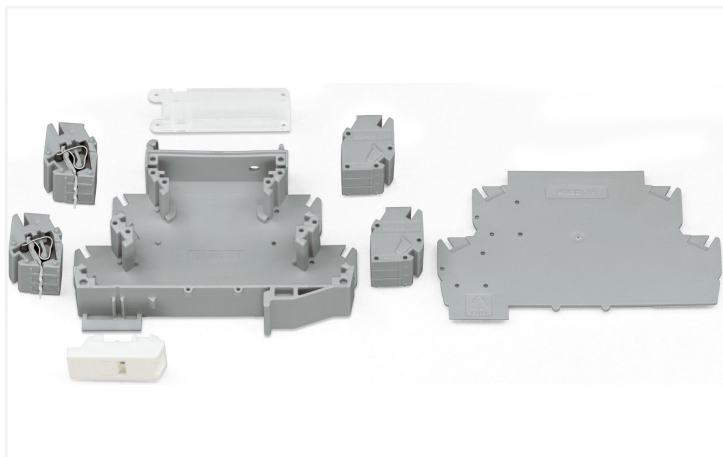


# Data Sheet | Item Number: 789-124

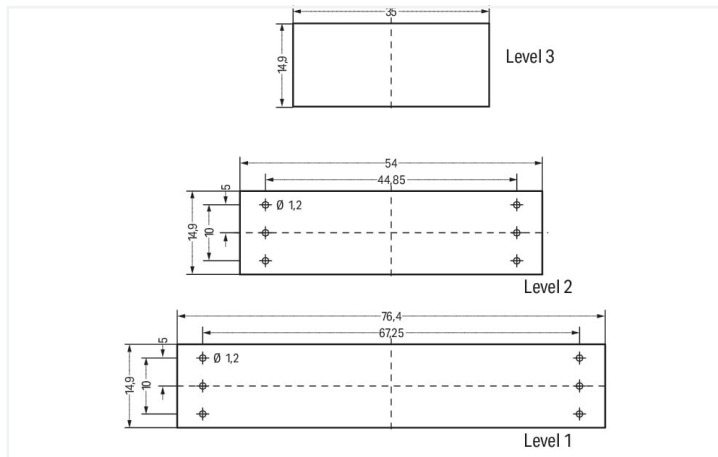
Transparent cover; transparent

<https://www.wago.com/789-124>

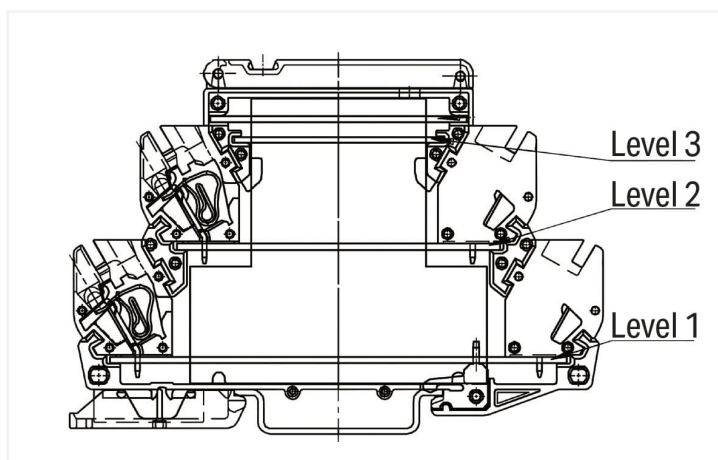
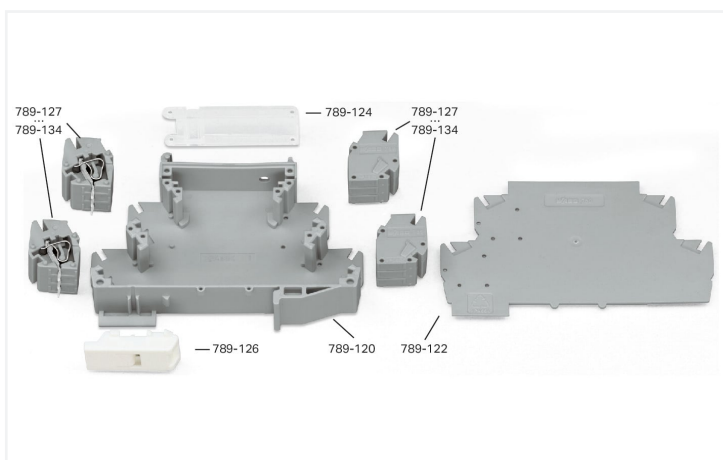


Color:  transparent

Similar to illustration



PCB dimensions, vertical mounting: (PCB thickness max. 1.5 mm) in level 1; (PCB thickness max. 1 mm) in level 2 and 3



Universal modular component plug housing, as rail-mount terminal block – transparent cover

## Mechanical data

Housing design	DIN-rail-mount enclosure
Suitable	for 789-120

## Material data

Color	transparent
Fire load	0.037 MJ
Weight	1.2 g

## Commercial data

Product Group	6 (INTERFACE ELECTRONIC)
eCl@ss 10.0	27-14-11-92
eCl@ss 9.0	27-14-11-92
ETIM 8.0	EC002848
ETIM 7.0	EC002848
PU (SPU)	25 (1) pcs
Packaging type	Box
Country of origin	DE
GTIN	4044918112864
Customs tariff number	39269097900

Environmental Product Compliance	
RoHS Compliance Status	Compliant, No Exemption

## Downloads

Environmental Product Compliance	
Compliance Search	
Environmental Product Compliance 789-124	<a href="#">↓</a>

## CAD/CAE-Data

CAD data		CAE data	
2D/3D Models 789-124	<a href="#">↓</a>	WSCAD Universe 789-124	<a href="#">↓</a>
		ZUKEN Portal 789-124	<a href="#">↓</a>

## 1 Compatible Products

### 1.1 Optional Accessories

#### 1.1.1 Installation













##### 1.1.1.1 DIN-rail-mount enclosure



[Item No.: 789-120](#)  
Housing 55 mm; gray

### 1.1.2 Marking

#### 1.1.2.1 Marker

 <a href="#">Item No.: 2009-145</a> Mini-WSB Inline; for Smart Printer; 1700 pieces on roll; stretchable 5 - 5.2 mm; plain; snap-on type; white	 <a href="#">Item No.: 248-502</a> Mini-WSB marking card; as card; MARKED; 1 ... 10 (10x); not stretchable; Horizontal marking; snap-on type; white	 <a href="#">Item No.: 248-566</a> Mini-WSB marking card; as card; MARKED; 1 ... 50 (2x); not stretchable; Horizontal marking; snap-on type; white	 <a href="#">Item No.: 248-503</a> Mini-WSB marking card; as card; MARKED; 11 ... 20 (10x); not stretchable; Horizontal marking; snap-on type; white
 <a href="#">Item No.: 248-506</a> Mini-WSB marking card; as card; MARKED; 41 ... 50 (10x); not stretchable; Horizontal marking; snap-on type; white	 <a href="#">Item No.: 248-452</a> Mini-WSB marking card; as card; MARKED; K (100x); not stretchable; Horizontal marking; snap-on type; white	 <a href="#">Item No.: 248-450</a> Mini-WSB marking card; as card; MARKED; K1 - K10 (10x); not stretchable; Horizontal marking; snap-on type; white	 <a href="#">Item No.: 248-451</a> Mini-WSB marking card; as card; MARKED; K11 - K20 (10x); not stretchable; Horizontal marking; snap-on type; white
 <a href="#">Item No.: 248-455</a> Mini-WSB marking card; as card; MARKED; U 100 (10x); not stretchable; Horizontal marking; snap-on type; white	 <a href="#">Item No.: 248-453</a> Mini-WSB marking card; as card; MARKED; U1, ... U10 (10x); not stretchable; Horizontal marking; snap-on type; white	 <a href="#">Item No.: 248-454</a> Mini-WSB marking card; as card; MARKED; U11 - U20 (10x); not stretchable; Horizontal marking; snap-on type; white	 <a href="#">Item No.: 248-501</a> Mini-WSB marking card; as card; not stretchable; plain; snap-on type; white

1.1.2.2 Marking device



Item No.: [210-110](#)

Fiber-tip pen