

TARA Towel bar in two parts non-swivel - Chrome

TARA

83 210 892 Product version from 4/1/2024

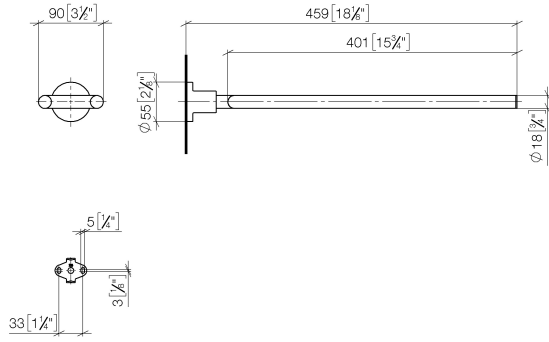


- width 90mm
- height 55 mm
- rosette Ø 55 mm
- 460mm projection

| | | |
|---|-------------------------------------|---------------|
|  | Chrome | 83 210 892-00 |
|  | Brushed Platinum | 83 210 892-06 |
|  | Platinum | 83 210 892-08 |
|  | Dark Chrome | 83 210 892-19 |
|  | Brushed Durabrass (23kt Gold) | 83 210 892-28 |
|  | Matte Black | 83 210 892-33 |
|  | Brushed Gold (PVD) | 83 210 892-37 |
|  | Brushed Dark Brass (PVD) | 83 210 892-39 |
|  | Brushed Bronze (PVD) | 83 210 892-42 |
|  | Brushed Dark Bronze (PVD) | 83 210 892-43 |
|  | Brushed Champagne (22kt Gold) | 83 210 892-46 |
|  | Champagne (22kt Gold) | 83 210 892-47 |
|  | Brushed Chrome | 83 210 892-93 |
|  | Brushed Dark Platinum | 83 210 892-99 |

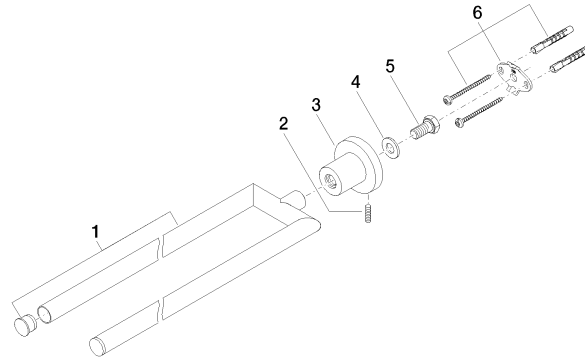
83 210 892 Product version from 4/1/2024

mm [inches]



83 210 892 Product version from 4/1/2024

Parts for other finishes can be found here: Brushed Platinum



Spare parts list

| No. | Item Number | Name | Quantity used | Delivery time |
|-----|--------------------|--|---------------|---------------|
| 5 | 09 30 30 071 90 | Mounting Hexagonal bolt with thread as far as head M10 x 20 mm - | 1.00 | 14 |
| 1 | 90 17 89 554 00-00 | Holder for towel bar, double 92 x 21,5 x 419 mm - Chrome | 1.00 | 20 |
| 6 | 05 17 20 739 00 90 | Attachment set 150 x 65 x 10 mm - | 1.00 | 14 |
| 3 | 08 17 89 505-00 | Holder universal 60 x 100 x 60 mm - Chrome | 1.00 | 20 |
| 4 | 09 30 11 046 90 | Washer Ø 10,5 - | 1.00 | 14 |
| 2 | 04 31 11 113 00 90 | Mounting Threaded pin M5 x 12 mm - | 1.00 | 14 |