

START Downlight 5in1 65-185 1800LM PIR

Item No: 0053152

SYLVANIA

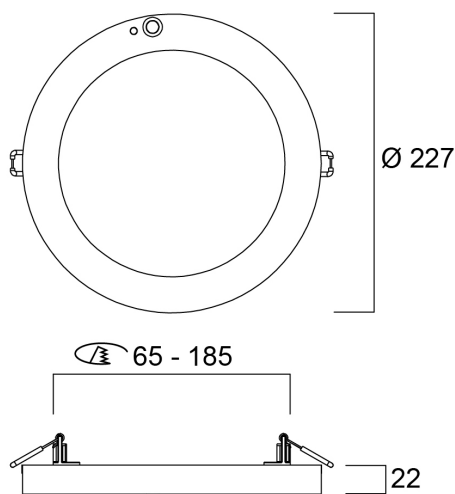
START



START Downlight 5in1 is an integrated LED recessed / surface mounted downlight with built in non dimmable driver and PIR sensor. PIR sensor with time settings (3 min max) and adjustable daylight lux level. 2 options for lumen output 900lm or 1800lm. Colour temperature (3000K, 4000K and 6500K) can be chosen by a 3-way switch located on the back of the fixture. Adaptability to various cut-outs from 65mm to 185mm

Technical Assets

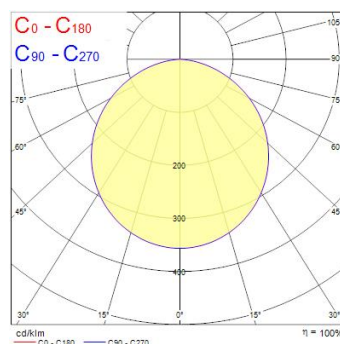
Dimensions (mm)



Photometrics

0.5	1.47	E101 E1C0	2640 237
1.0	2.93	E101 E1C0	660 99
1.5	4.40	E101 E1C0	293 58
2.0	5.86	E101 E1C0	168 18
2.5	7.33	E101 E1C0	106 9
3.0	8.80	E101 E1C0	73 7

Distance [m] Cone diameter [m] Illuminance [lx]
 — C0 - C180 (Half beam angle: 111.4°)



START Downlight 5in1 65-185 1800LM PIR

Item No: 0053152

SYLVANIA

General data

Product name	START Downlight 5in1 65-185 1800LM PIR
Technology	LED
Cap/Base	N/A
Housing	PC Polycarbonate
Mount	Ceiling recessed mounting, Ceiling surface mounting
General application	Retail
Operating temperature range (°C)	-20°C...+40°C
ETIM Class	EC001744
E-number FI	4278433
Warranty	3 years

Optical data

Useful luminous flux (Φ_{use})	1800
Fixture luminous flux (lm)	1800
Luminaire efficacy (lm/W)	100
Light colour	N/A
CRI (Ra)	80
Colour Variation Initial (SDCM)	SDCM6
Beam Angle (°)	110
Distribution type	Symmetric
Glare control	< 28
Photobiological Risk Group	RG0

Electrical data

Total power consumption (W)	18
Primary Supply/Product voltage - min (V)	220.0
Primary Supply/Product voltage - max (V)	240.0
Lamp power factor	0.7
THD (at 230 V, 50 Hz, full load, at 100% dimming level) \leq xx.x %	85.0
Electrical protection	Class II
Control gear type	LED driver constant current
Dimmable	No
Dimming method	N/A
Drive current (mA)	170
Energy Efficiency Class (A->G) of contained light source	E
Nominal Frequency (Hz)	50/60Hz
Max. products per 16A C Breaker	42
Max. products per 16A B Breaker	25
Connectable conductor cross section - Min (mm ²)	0.75
Connectable conductor cross section - Max (mm ²)	1.5

Lifetime data

Lifespan L70 B50	55000
Lifespan L80 B10	30000

Physical data

Housing colour	RAL 9003 - Signal white
IP rating	IP20
IK rating	IK05
Diffuser finish	Opal
Diffuser material	PS Polystyrene
Reflector finish	Not Applicable
Nominal Product Height (mm)	22
Nominal Product Diameter (mm)	227
Weight (kg)	0.473

START Downlight 5in1 65-185 1800LM PIR

Item No: 0053152



Packaging

Product EAN number	5410288531526
Packaging single length / height (cm)	24.7
Packaging single width (cm)	4.3
Packaging single depth (cm)	23.7
DUN14 (inner)	15410288531523
Units per outer package	14
Packaging outer length / height (cm)	50.9
Packaging outer width (cm)	32.1
Packaging outer depth (cm)	26.2

Safety data

Glow Wire Test (°C)	650
Optimal operating condition (°C)	-20-40