

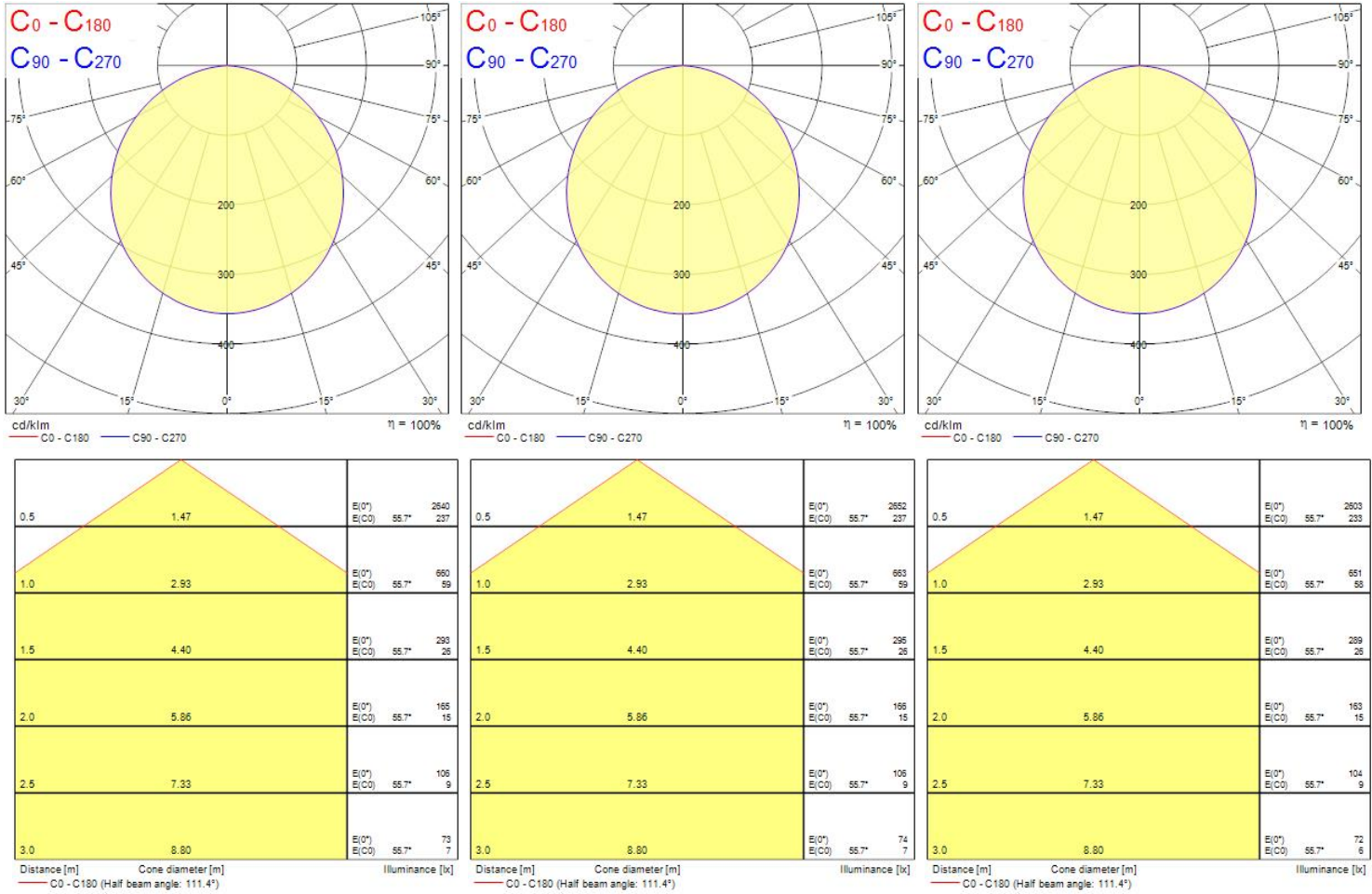
### Features

- START Downlight 5in1 is an integrated LED recessed / surface mounted downlight with built in non dimmable driver and PIR sensor. PIR sensor with time settings (3 min max) and adjustable daylight lux level. 2 options for lumen output 900lm or 1800lm. Colour temperature (3000K, 4000K and 6500K) can be chosen by a 3-way switch located on the back of the fixture. Adaptability to various cut-outs from 65mm to 185mm

### Product Overview

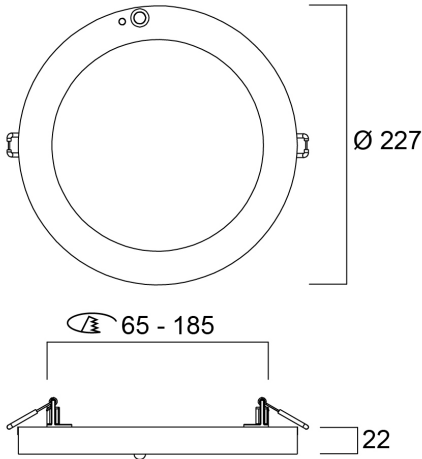
Product name	START Downlight 5in1 65-185 1800LM PIR
Technology	LED
Cap/Base	N/A
Housing	PC Polycarbonate
Mount	Ceiling recessed mounting, Ceiling surface mounting
E-number FI	4278433
Fixture luminous flux (lm)	1800
Luminaire efficacy (lm/W)	100
Light colour	N/A
CRI (Ra)	80
Colour Variation Initial (SDCM)	6
Photobiological Risk Group	RG0
Total power consumption (W)	18
Electrical protection	Class II
Control gear type	LED driver constant current
Housing colour	RAL 9003 - Signal white
IP rating	IP20
IK rating	IK05
Product EAN number	5410288531526
Warranty	3 years

### Photometry



## START Downlight 5in1 65-185 1800LM PIR 0053152

### Technical drawings



### Data table

#### GENERAL DATA

Product name	START Downlight 5in1 65-185 1800LM PIR
Technology	LED
Cap/Base	N/A
Housing	PC Polycarbonate
Mount	Ceiling recessed mounting, Ceiling surface mounting
Operating temperature range (°C)	-20°C...+40°C
E-number FI	4278433
Warranty	3 years

#### OPTICAL DATA

Fixture luminous flux (lm)	1800
Luminaire efficacy (lm/W)	100
Correlated colour temperature range (K)	3000 - 6500
Light colour	N/A
CRI (Ra)	80

## START Downlight 5in1 65-185 1800LM PIR 0053152

Colour Variation Initial (SDCM)	6
Photobiological Risk Group	RG0

### ELECTRICAL DATA

Total power consumption (W)	18
Primary Supply/Product voltage - min (V)	220
Lamp power factor	0.7
Electrical protection	Class II
Control gear required	No
Control gear type	LED driver constant current
Drive current (mA)	170
Glow Wire Test (°C)	650
Energy Efficiency Class (A->G) of contained light source	E
Nominal Frequency (Hz)	50/60Hz
Connectable conductor cross section - Min (mm <sup>2</sup> )	0.75
Connectable conductor cross section - Max (mm <sup>2</sup> )	1.5

### LIFETIME DATA

Lifespan L70 B50	55000
Lifespan L80 B10	30000

### PHYSICAL DATA

Housing colour	RAL 9003 - Signal white
IP rating	IP20
IK rating	IK05
Diffuser finish	Opal
Diffuser material	PC Polycarbonate
Nominal Product Diameter (mm)	227
Weight (kg)	0.473

### PACKAGING

## START Downlight 5in1 65-185 1800LM PIR 0053152

Single packaging type	Carton
Product EAN number	5410288531526
Packaging single width (cm)	4.3
Packaging single depth (cm)	23.7
DUN14 (outer)	15410288531523
Packaging outer length / height (cm)	50.9

### SAFETY DATA

Optimal operating condition (°C)	-20-40
Special purpose lamp	No
Dry applications use only	No
Suitable for household illumination	No