

22 533 892 Product version from 6/30/2009 to 5/27/2021

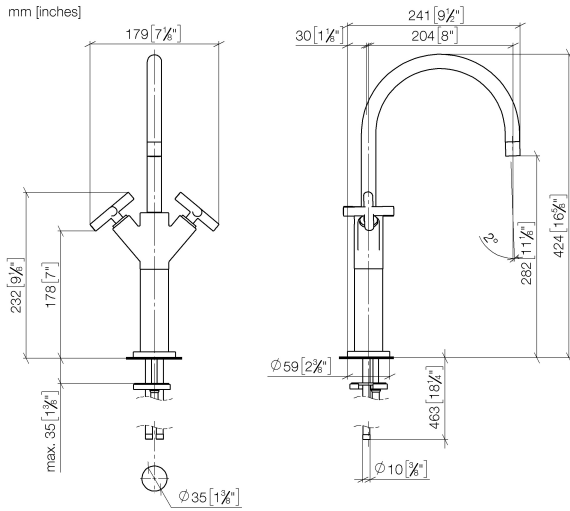


- 200mm projection
- pivotable spout 360°
- circular, air-enriched flow
- height of mixer 425 mm
- height up to aerator 280 mm
- hole diameter 35 mm
- rosette Ø 59 mm
- 2x screw-in M 10 x 1 pressure hose, leak-tested
- max. flow 7 l/min
- lead-free
- This product can help a building meet the requirements of Green Building Rating Systems, e.g. LEED®, BREEAM®, DGNB
- WRAS

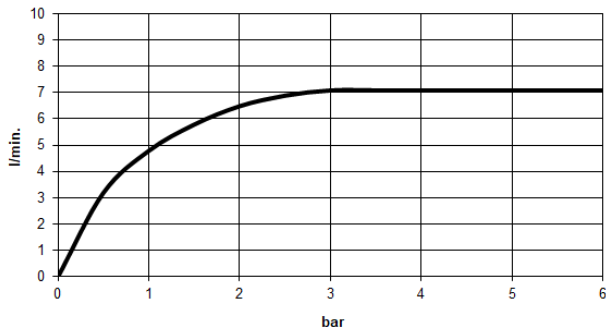
for use on bowl sink.

	Chrome	22 533 892-00
	Brushed Platinum	22 533 892-06
	Platinum	22 533 892-08
	Dark Chrome	22 533 892-19
	Brushed Durabronze (23kt Gold)	22 533 892-28
	Matte Black	22 533 892-33
	Brushed Gold (PVD)	22 533 892-37
	Brushed Dark Brass (PVD)	22 533 892-39
	Brushed Bronze (PVD)	22 533 892-42
	Brushed Dark Bronze (PVD)	22 533 892-43
	Brushed Champagne (22kt Gold)	22 533 892-46
	Champagne (22kt Gold)	22 533 892-47
	Brushed Chrome	22 533 892-93
	Brushed Dark Platinum	22 533 892-99

22 533 892 Product version from 6/30/2009 to 5/27/2021



Flow rate chart



Codes & Standards

DIN 4109	EN 200	Executive Order no. 1007	ISO 3822
Scottish Water Byelaws	UK Water Supply Regulations	Ü-Zeichen	VA-Zeichen



TARA Single-hole basin mixer with raised base without pop-up waste - Chrome

TARA

22 533 892 Product version from 6/30/2009 to 5/27/2021

Certificates and sustainability

ETA_18	WRAS_240702	LGA_18	GDV_0400	EPD-DOR-20230287 -IBA1-EN Environmental.prod uct-declarat
--------	-------------	--------	----------	--

