

ROBUS®

DOWNLIGHTS

DRACO LED DIM TO WARM DOWNLIGHT 6W, IP65



PRODUCT INFORMATION DOCUMENT

FEATURES

- CCT selection between 2000K, 3000K and Dim-to-Warm (from 3000K to 2000K)
- Adjustable tilt angle of up to 25°
- Separate driver with push connectors for fast and easy installation
- Changeable trims available in matt black and chrome
- Stepped back reflector
- Dimmable with selected leading and trailing edge dimmers

CONSTRUCTION

- Die cast aluminium housing with polycarbonate trim and PMMA lens
- LEDchroic style lens
- 3 way push in connector with double poles
- Separate driver with in-line quick connector and CCT switch



WARRANTY



LIFETIME



LUMENS
PER W



IK RATING



IP RATING



OPERATING
VOLTAGE



BEAM ANGLE



CCT



DIMMING



SAFETY
CLASS

Product Code:	RDR6D2W-11
Comparable to:	50W halogen
Total Power (W):	6.2
Power Factor:	0.9
Total Light Output (lm):	480-550
Total Emergency Light Output (lm):	NA
Efficacy (lm/cctW):	78-90
Lux at 1m (lux):	650-760
Emergency Lux at 1m (lux):	NA
CCT (K):	2000-3000
CRI:	80
IP:	65
Operation Temperature (°C):	-20 ≤ Ta ≤ +40
Inrush Current:	4.8A/2.2us
RG Value:	0
SDCM:	6
P _{ST} LM:	NA
SVM:	NA
Energy Class:	F
Rated Life to L70B50 (Hrs):	50000
Dimensions ØxH (mm):	33x85
Cut Out (mm):	70
Weight (kg):	0.2

Separate Control Gear Information	LED
Type of Light Source:	NA
Full Load Efficiency (%):	75
P _{NET} (W):	NA
Dimensions (mm):	123x41x28

Product is certified to all the relevant standards.

Please contact our technical department for market specific compliances.

PLEASE NOTE: INFORMATION IN THIS DOCUMENT MAY BE SUBJECT TO CHANGE WITHOUT PRIOR NOTICE

IRE: TEL: +353 1 709 9000
UK: TEL: 0800 973 220
AUS: TEL: +61 7 3890 5444
NZ: TEL: +64 03 668 5285

WEB: ROBUS.COM
WEB: ROBUS.COM
WEB: ROBUS.COM.AU
WEB: ROBUSLED.CO.NZ

LED GROUP EUROPE · UK · AUSTRALIA · NEW ZEALAND · ASIA · MIDDLE EAST · AFRICA

DRACO LED DIM TO WARM DOWNLIGHT

6W, IP65

Cone Illuminance Diagram

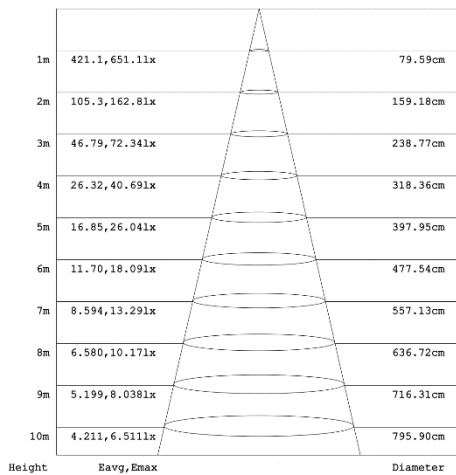
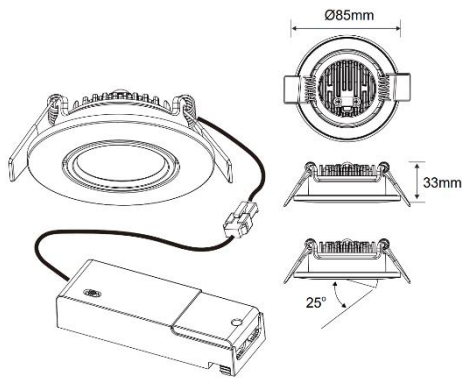


Diagram for RDR6D2W-11 in 2000K. Other diagrams available on request

Dimension Diagram



Sensor Data

Time Off Delay:	NA
Illuminance Switching Range:	NA
Sensitivity Range (%):	NA
Mounting Height (max):	NA
Detection Zone Diameter (max):	NA

Polar Intensity Diagram

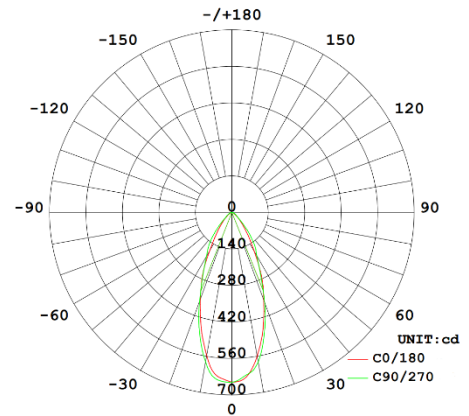


Diagram for RDR6D2W-11 in 2000K. Other diagrams available on request

Accessories

- RDRTRIM-10 DRACO Downlight, Matt Black Trim Accessory
- RDRTRIM-03 DRACO Downlight, Chrome Trim Accessory

PLEASE NOTE: INFORMATION IN THIS DOCUMENT MAY BE SUBJECT TO CHANGE WITHOUT PRIOR NOTICE

IRE: TEL: +353 1 709 9000
 UK: TEL: 0800 973 220
 AUS: TEL: +61 7 3890 5444
 NZ: TEL: +64 03 668 5285

WEB: ROBUS.COM
 WEB: ROBUS.COM
 WEB: ROBUS.COM.AU
 WEB: ROBUSLED.CO.NZ

LED GROUP EUROPE · UK · AUSTRALIA · NEW ZEALAND · ASIA · MIDDLE EAST · AFRICA