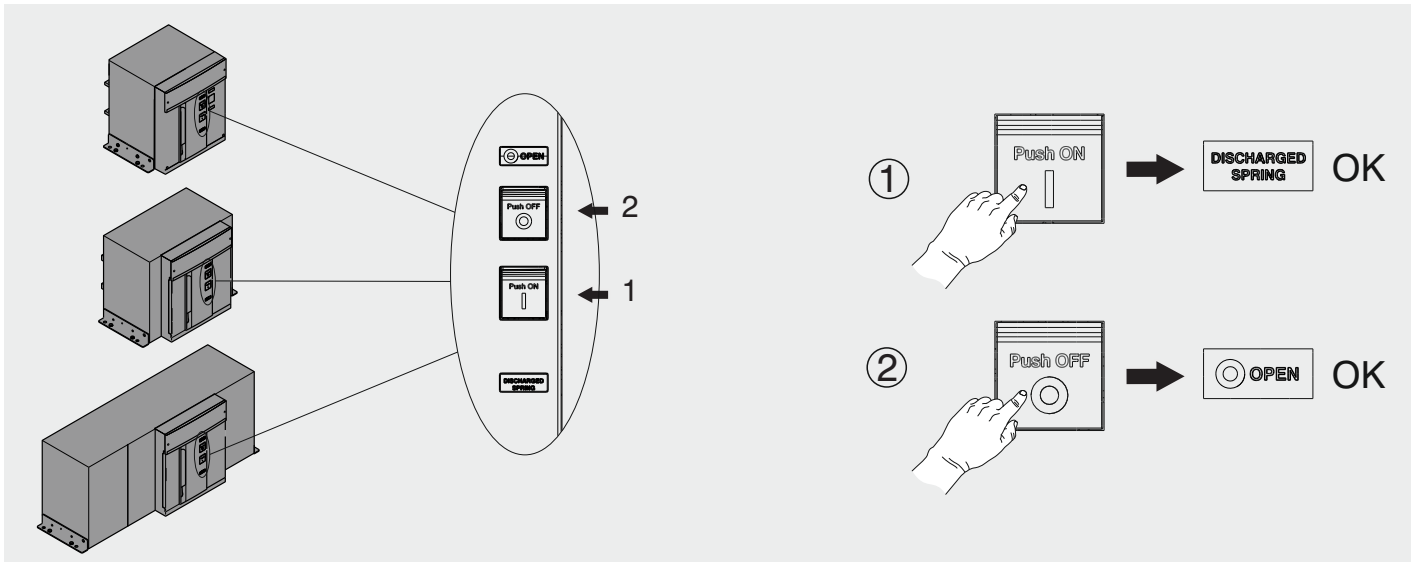


SACE Emax 2

Terminali posteriori verticali divaricati SVR - E2.2-E4.2-E6.2
Spread vertical rear terminals SVR - E2.2-E4.2-E6.2
V-förmige vertikale rückseitige Anschlüsse SVR - E2.2-E4.2-E6.2
Prises arrière verticales épanouies SVR - E2.2-E4.2-E6.2
Terminales posteriores verticales separados - SVR - E2.2-E4.2-E6.2

E2.2 - E4.2 - E6.2



A

B

C

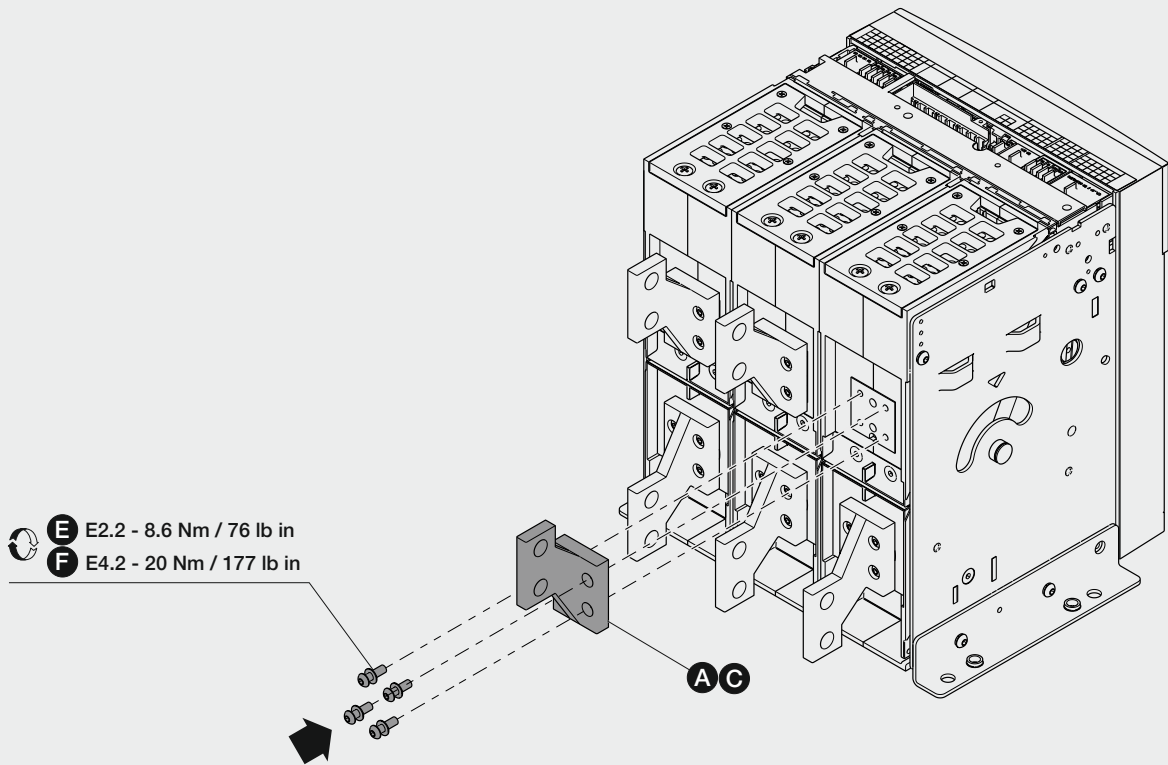
D

E M6x18

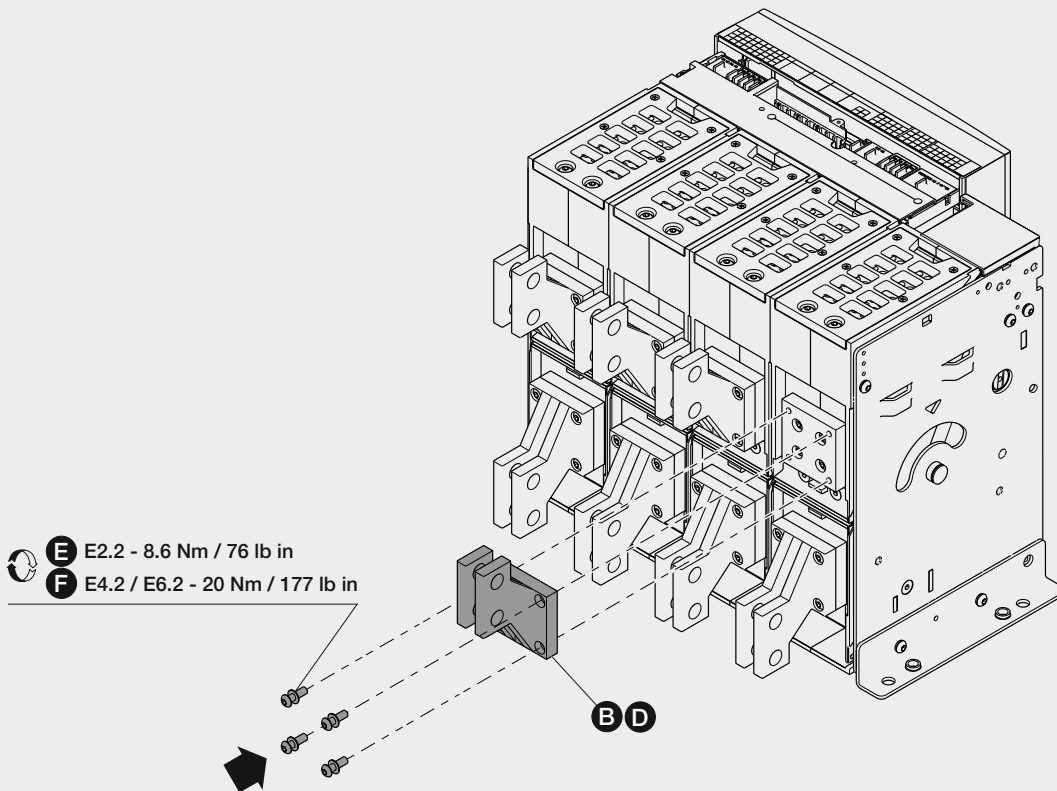
F M8x18

		A		B		C		D			E		F			
		3P	4P	3P	4P	3P	4P	3P	4P	FS	3P	4P	3P	4P	FS	
E2.2	F	2000 A		3	4						12	16				
	W															
E4.2	F	2500 A			3	4					12	16				
	W						3	4					12	16		
E6.2	F	3200 A					3	4						12	16	
	W								3	4				12	16	
E6.2	F	4000 A							6	7	8			24	28	32
	W															
E6.2	F	5000 A							6	7	8			24	28	32
	W															
E6.2	F	6300 A							6	7	8			24	28	32
	W															

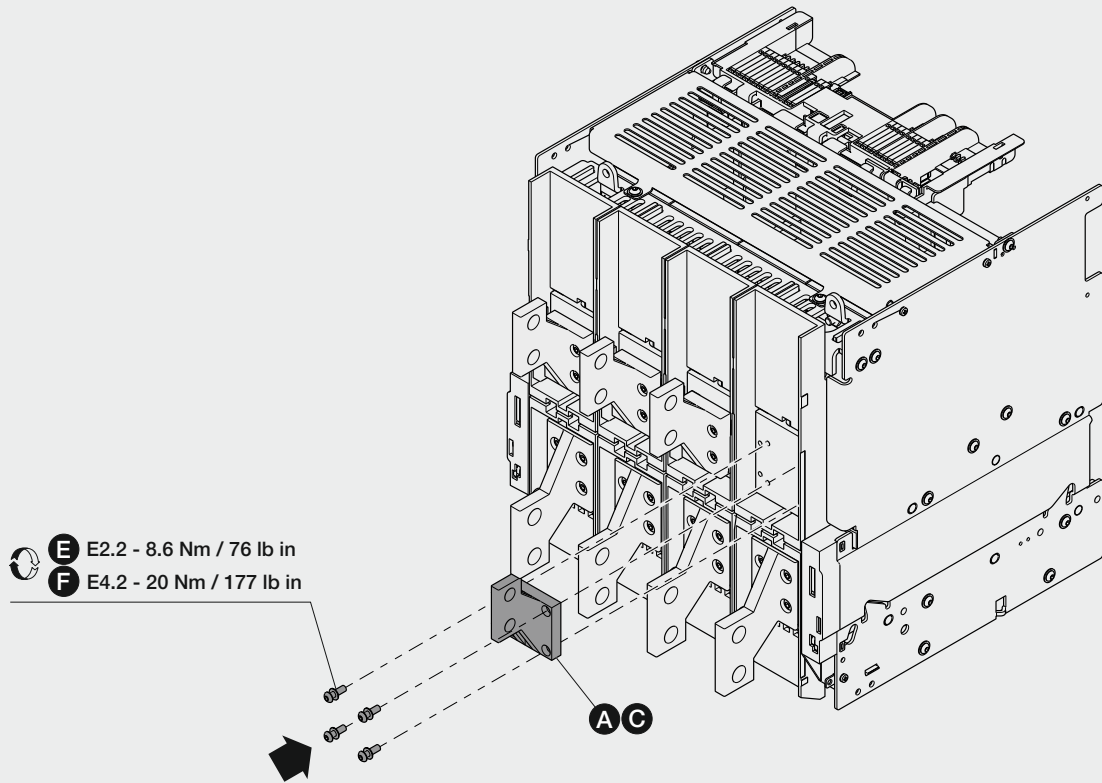
Example with E2.2 2000A 3P



Example with E2.2 2500A 4P



Example with E2.2 2000A 4P



Example with E2.2 2500A 4P

