

27 803 361 Product version from 7/3/2016



- spray head Ø 64mm
- COMPACT RAIN, max. flow rate 9 l/min (at 3 bar)
- Function from: 6 l/min
- with anti-scale system
- inherently safe from back flow
- metal shower hose 1250mm with integrated anti-twist protection


technical data:

- rosette for wall elbow Ø 55mm
- rosette for shower holder Ø 55mm
- 1/2" wall elbow
- 1/2" shower outlet

Notes:

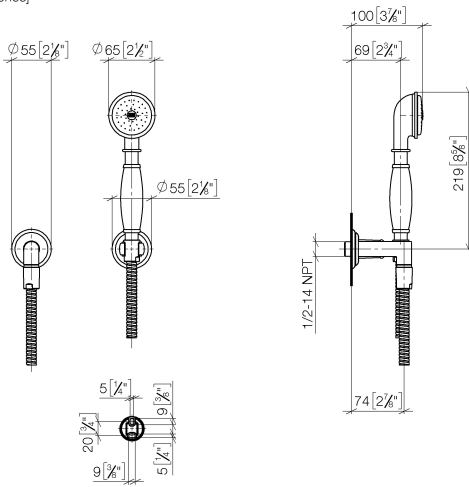
	Platinum	27 803 361-08
	Chrome	27 803 361-00
	Brushed Platinum	27 803 361-06
	Durabrand (23kt Gold)	27 803 361-09
	Brushed Durabrand (23kt Gold)	27 803 361-28
	Brushed Gold (PVD)	27 803 361-37
	Brushed Dark Brass (PVD)	27 803 361-39
	Brushed Bronze (PVD)	27 803 361-42
	Brushed Dark Platinum	27 803 361-99

Recommended miscellaneous

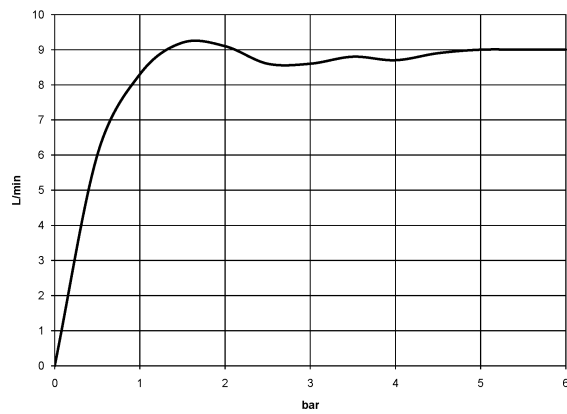
	Concealed wall elbow - •min. recess depth 90 mm •max. recess depth 163 mm	35 085 970 90
---	--	---------------

27 803 361 Product version from 7/3/2016

mm [inches]



Flow rate chart



Codes & Standards

DIN 4109

ISO 3822

Scottish Water
Byelaws

UK Water Supply
Regulations

Ü-Zeichen



MADISON Hand shower set with individual rosettes - Platinum

MADISON

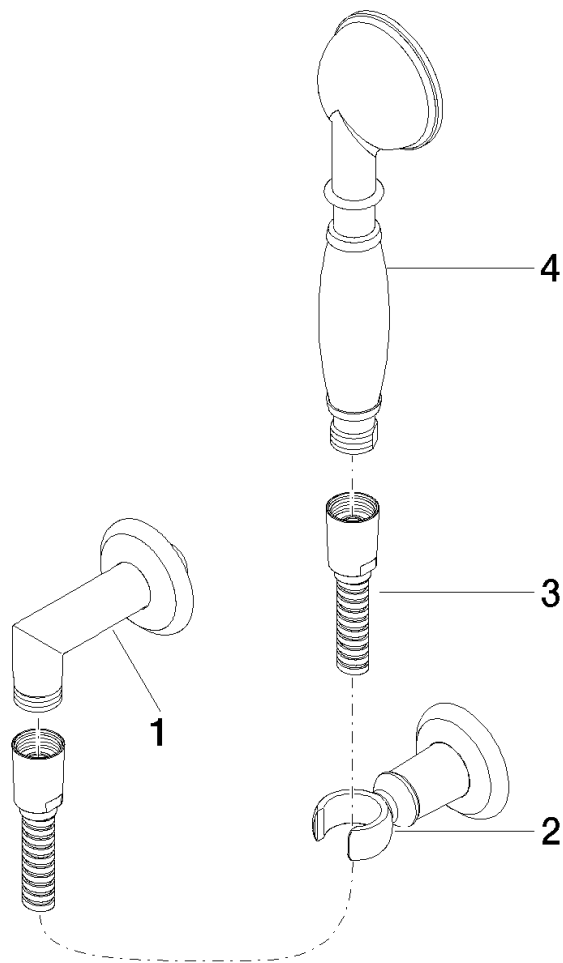
27 803 361 Product version from 7/3/2016

Certificates and sustainability

LGA_29

LGA_8

WRAS_240502



Spare parts list

No.	Item Number	Name	Quantity used	Delivery time
2	28 050 361-08	MADISON Wall bracket - Platinum	1.00	54
3	28 104 970-08	Metal shower hose 1/2" x 1/2" x 1250 mm - Platinum	1.00	54
4	28 002 970-08	MADISON Metal hand shower with porcelain insert (white) - Platinum	1.00	54
1	28 450 410-08	MADISON Wall elbow - Platinum	1.00	54