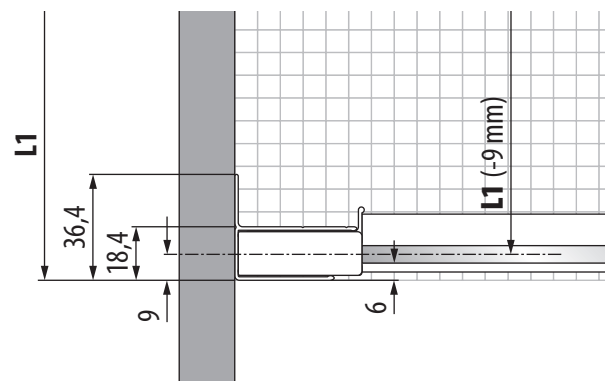
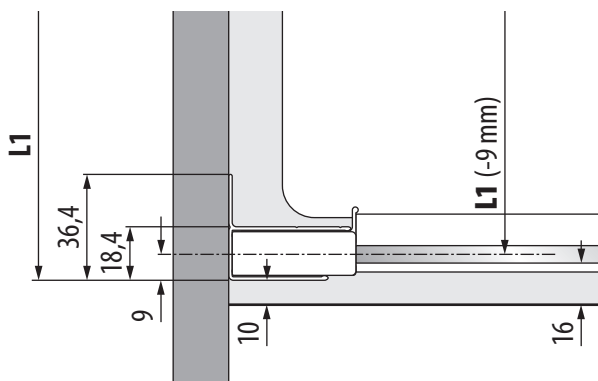
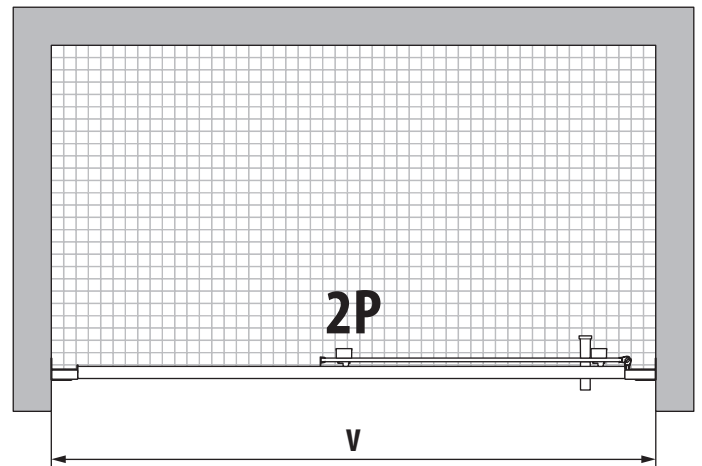
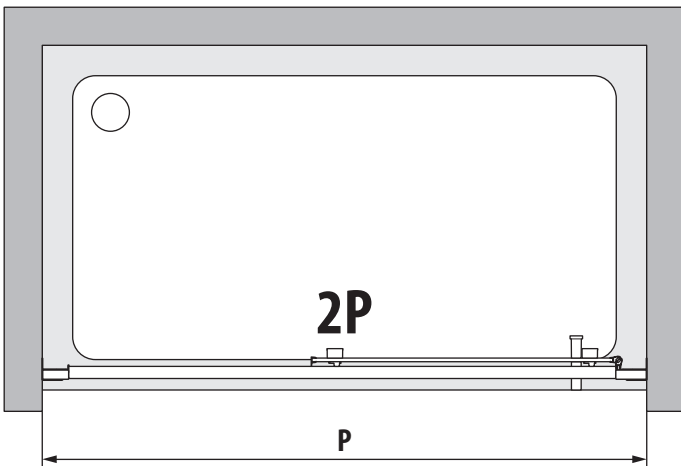
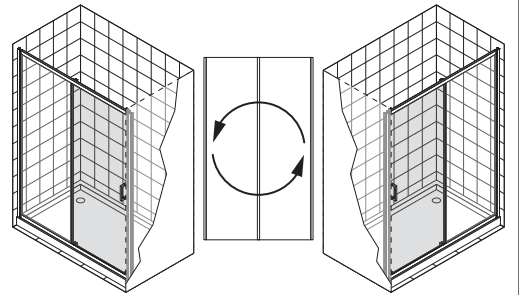
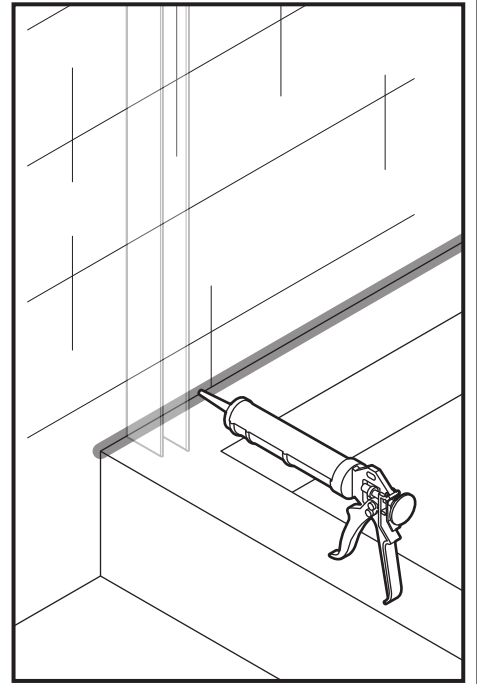
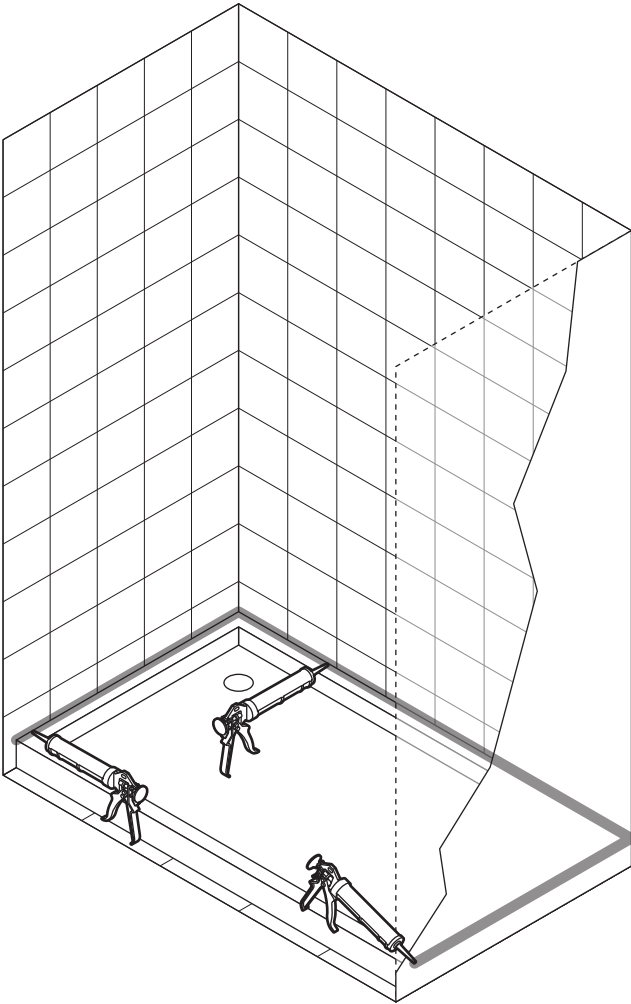


2P	P mm
96	960-1020
114	1140-1200
116	1160-1220
126	1260-1320
136	1360-1420
146	1460-1520
156	1560-1620
166	1660-1720

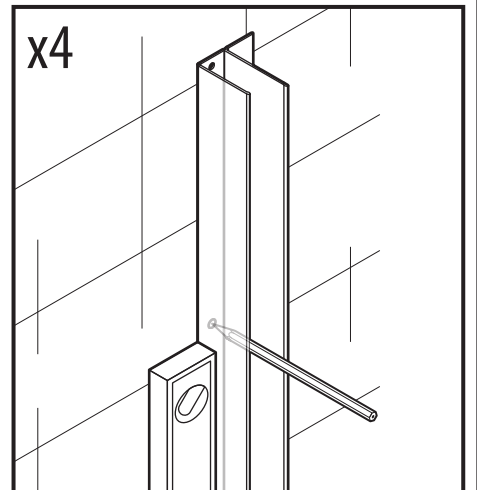
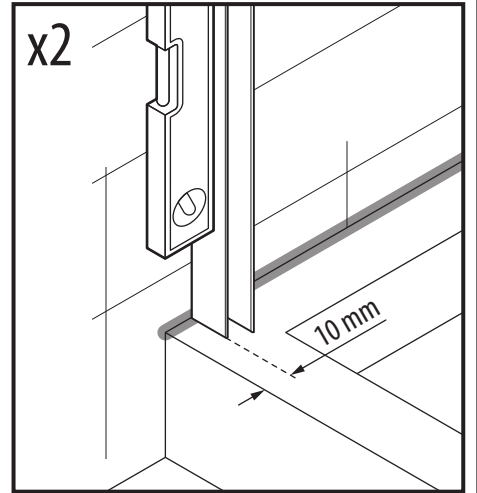
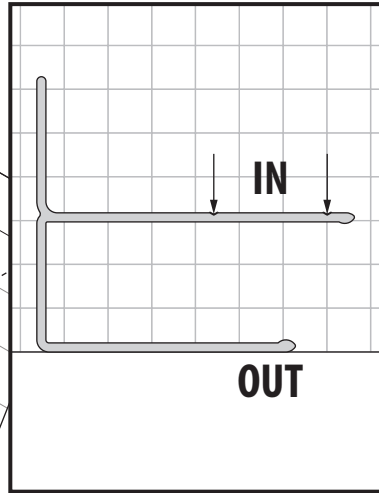
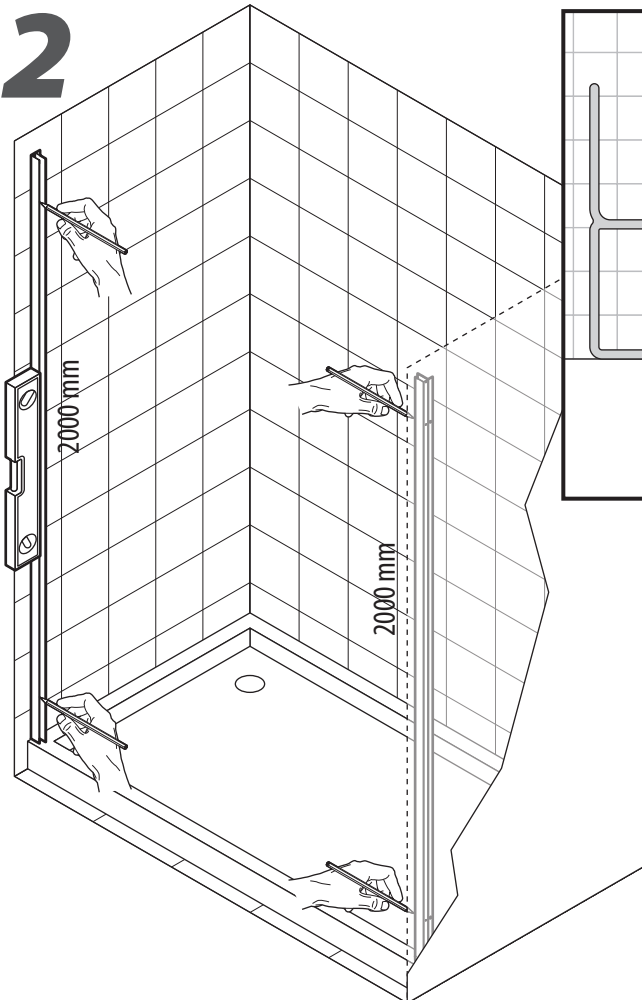
2P	V mm
96	960-1020
114	1140-1200
116	1160-1220
126	1260-1320
136	1360-1420
146	1460-1520
156	1560-1620
166	1660-1720



# 1



# 2



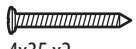
# 3

2°

1°



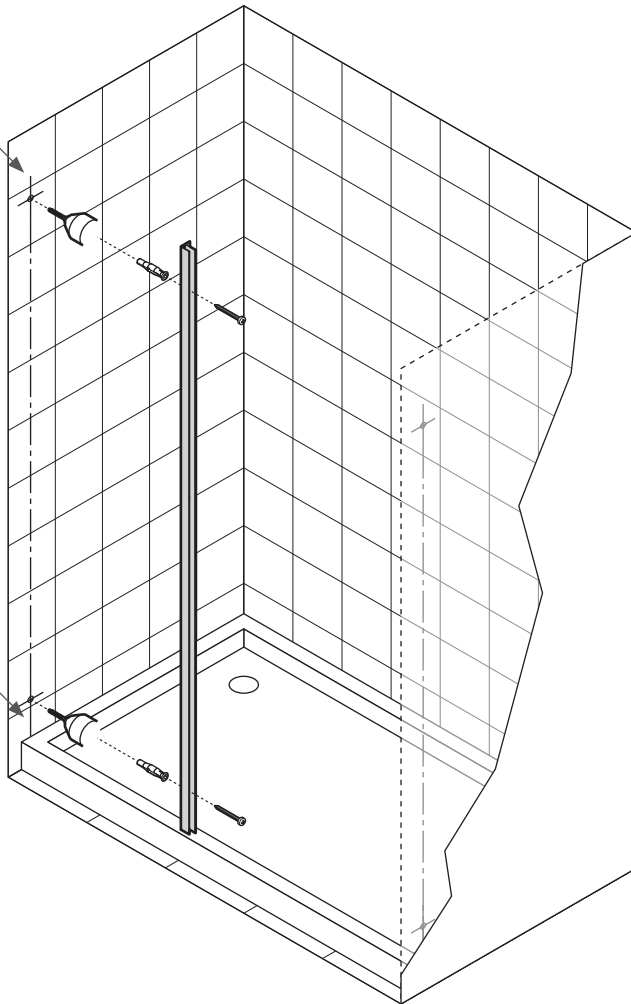
S6 x2



4x35 x2

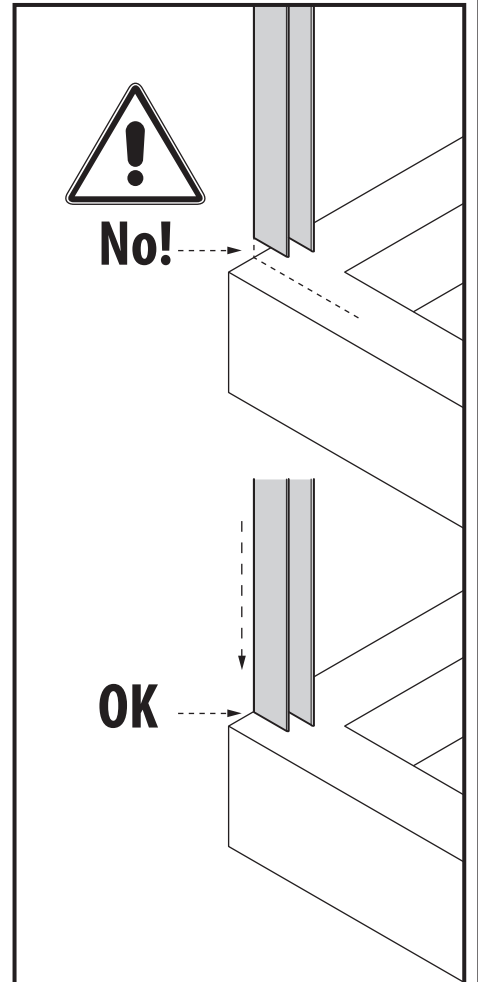


ø6 mm

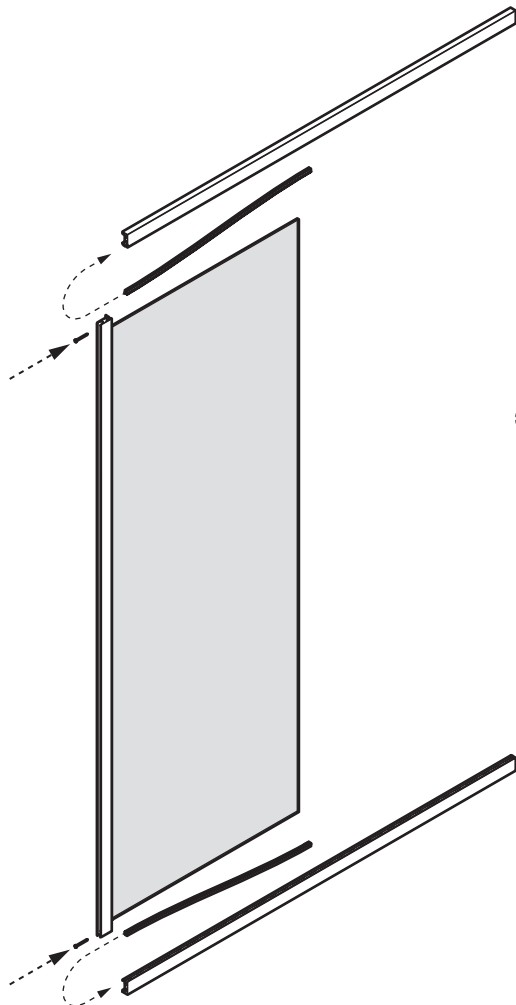


No!

OK

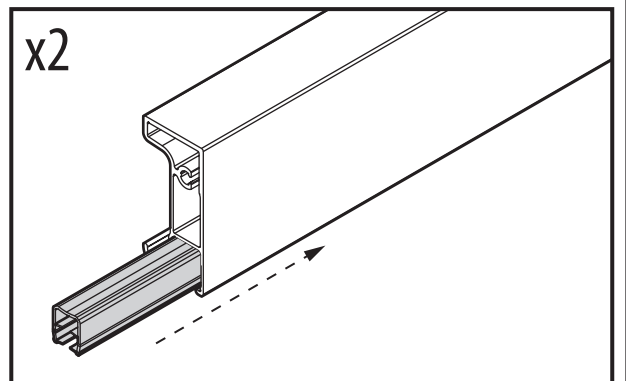


# 4

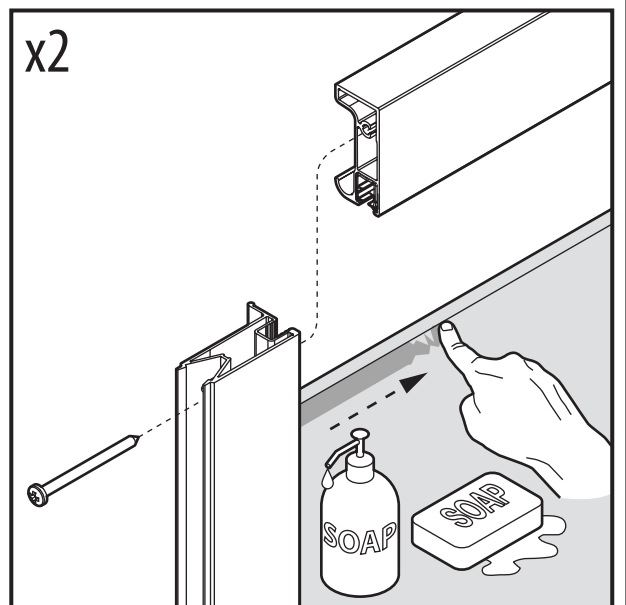


3,5x45 x2

x2

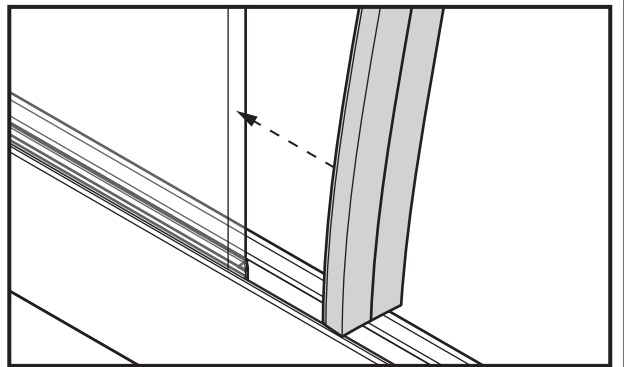
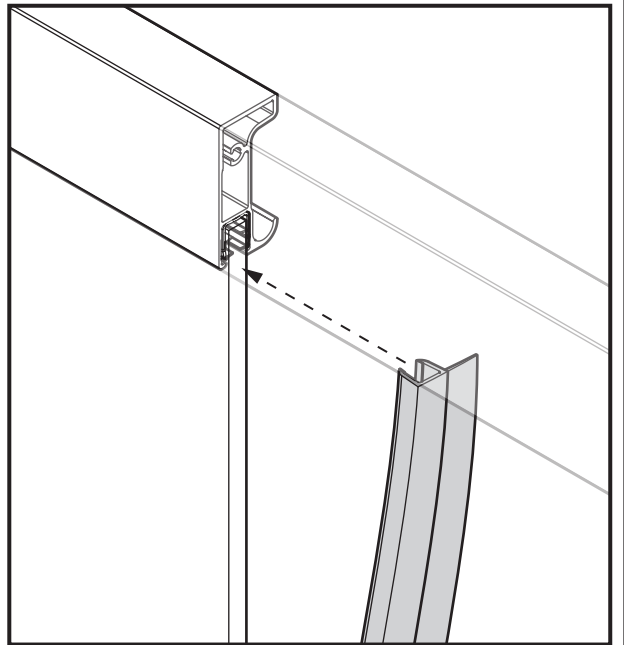
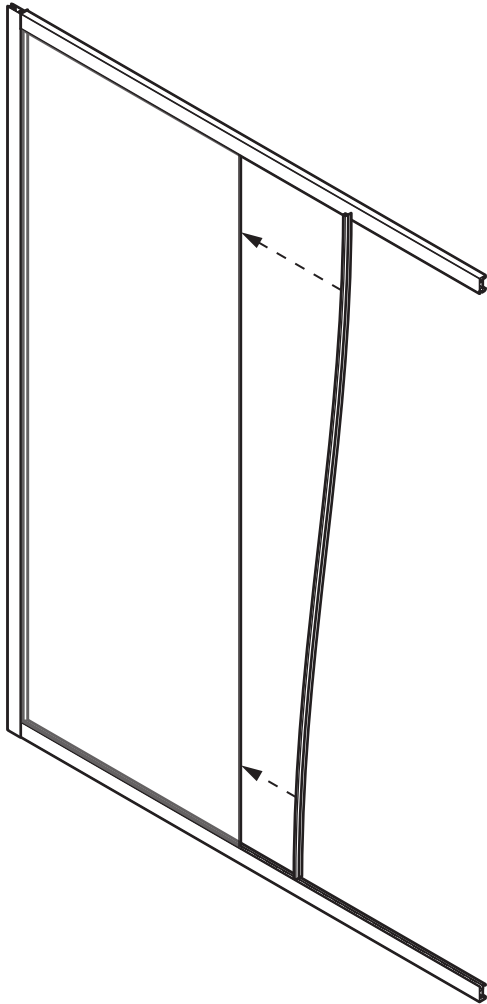


x2

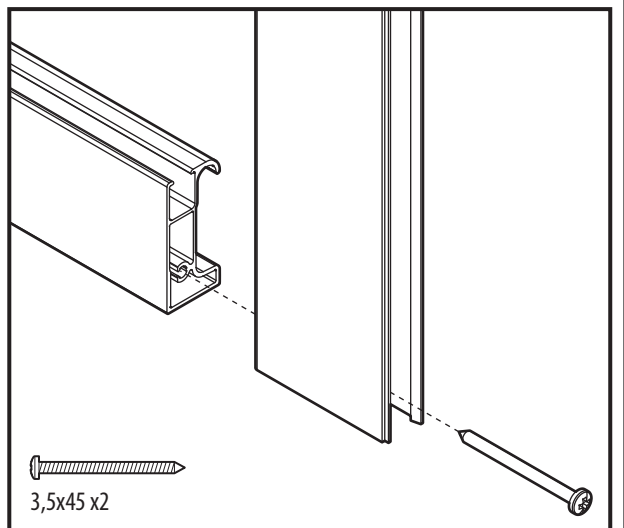
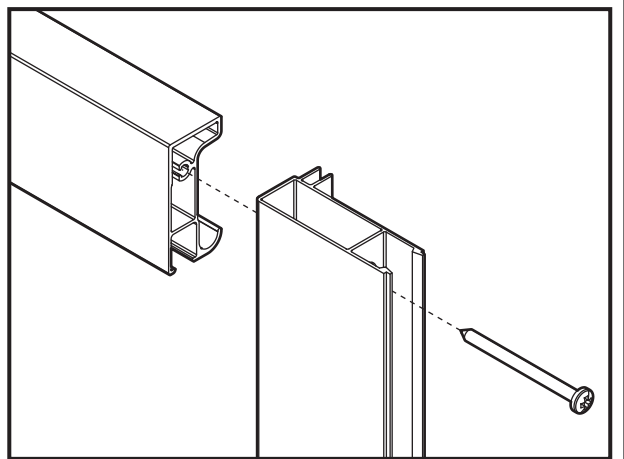
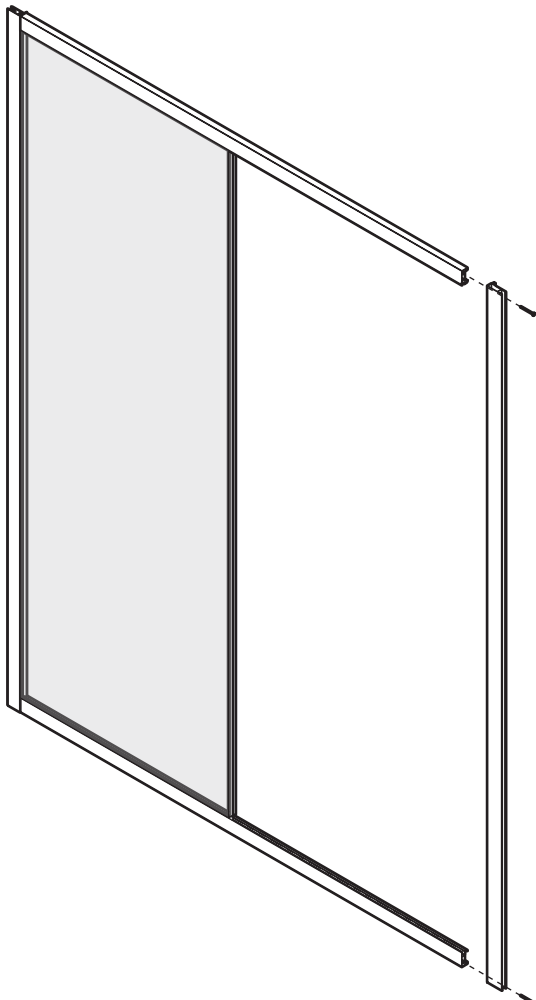


5

5

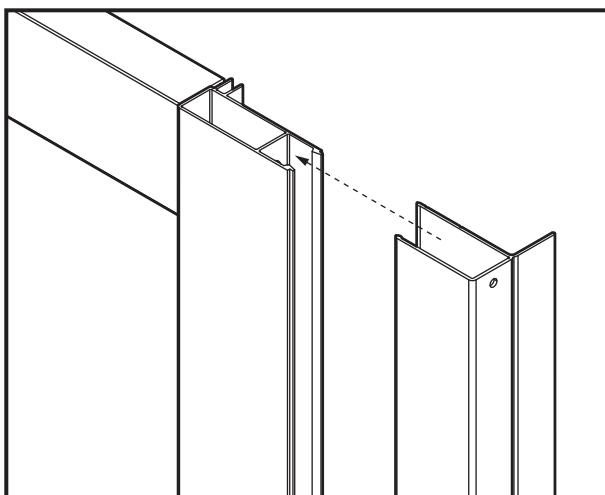
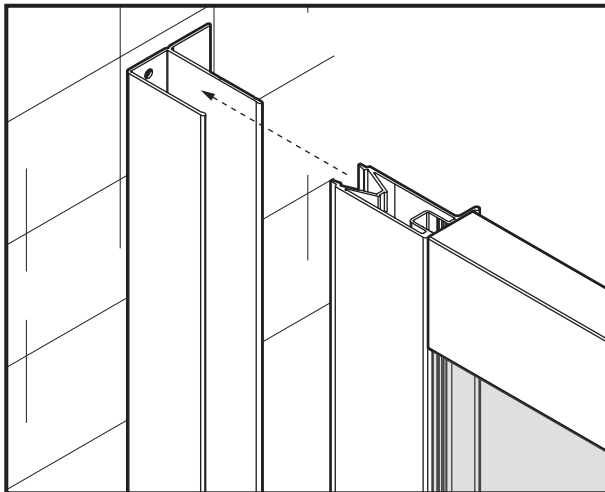
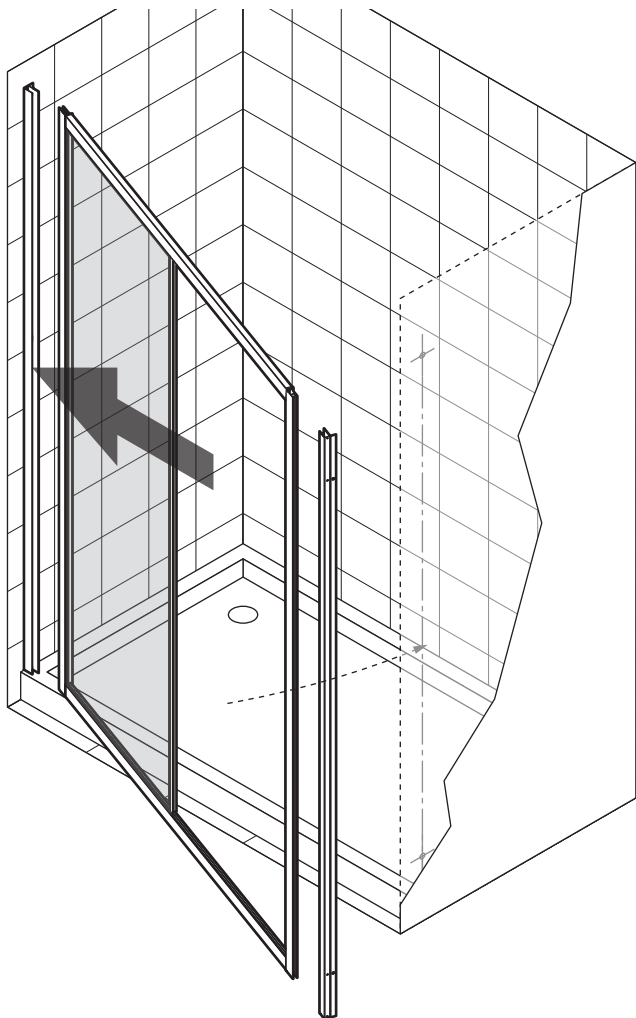


6

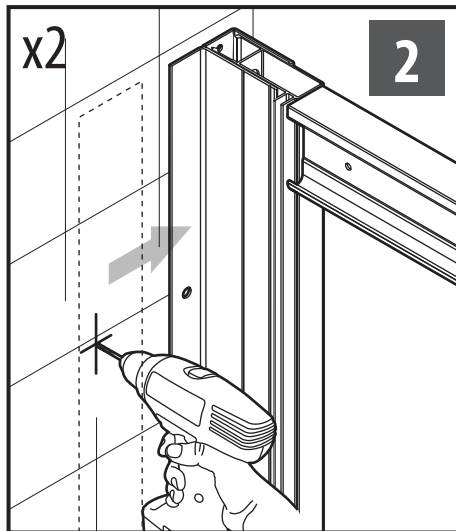
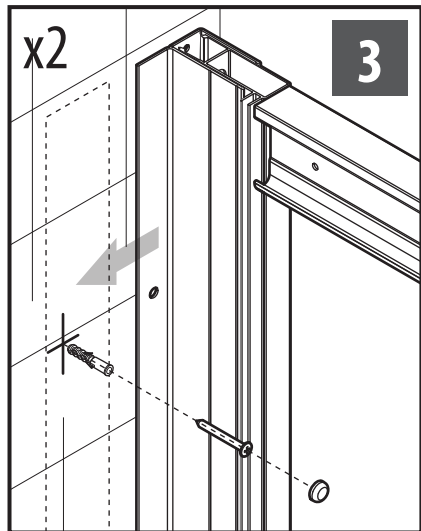
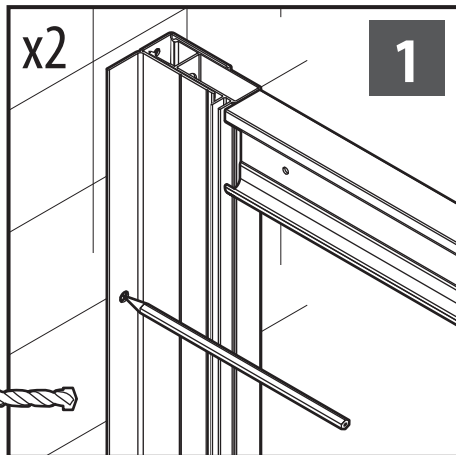
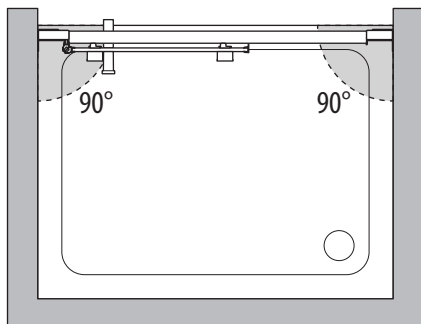
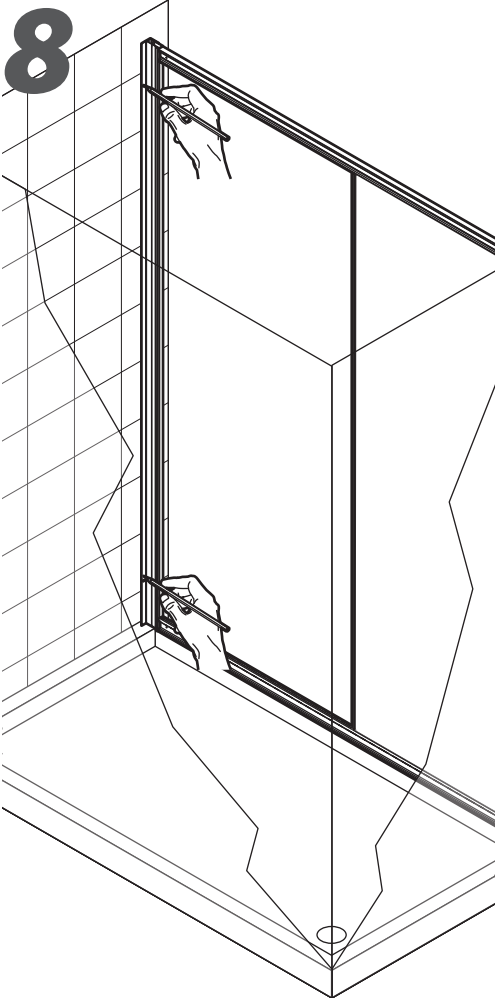


3,5x45 x2

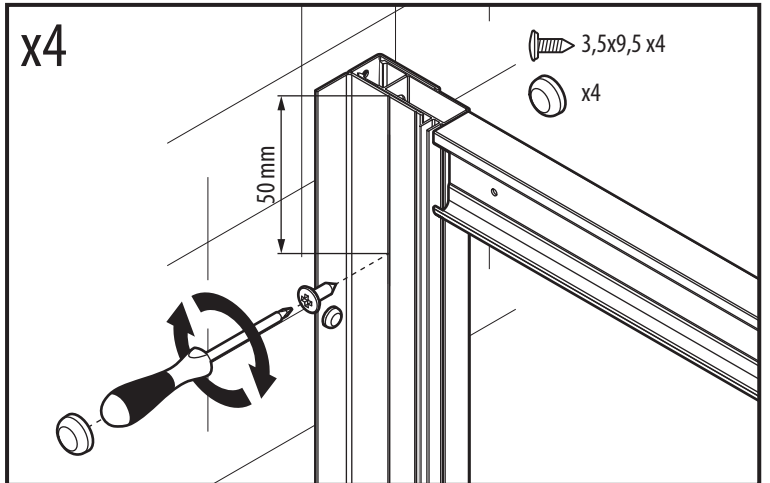
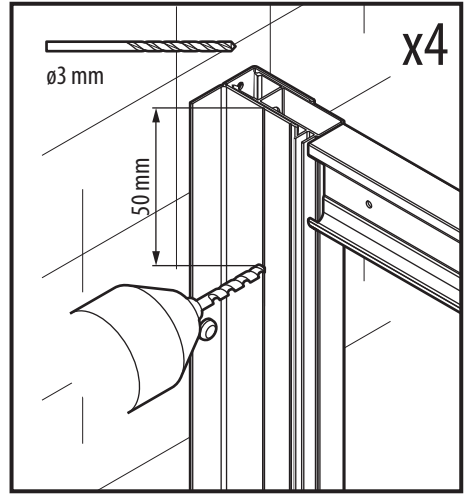
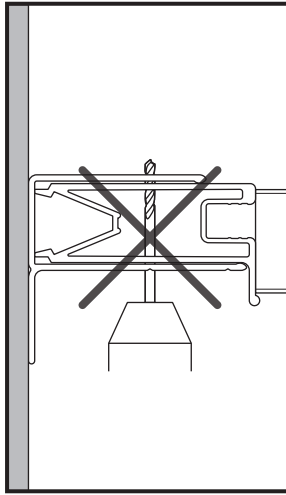
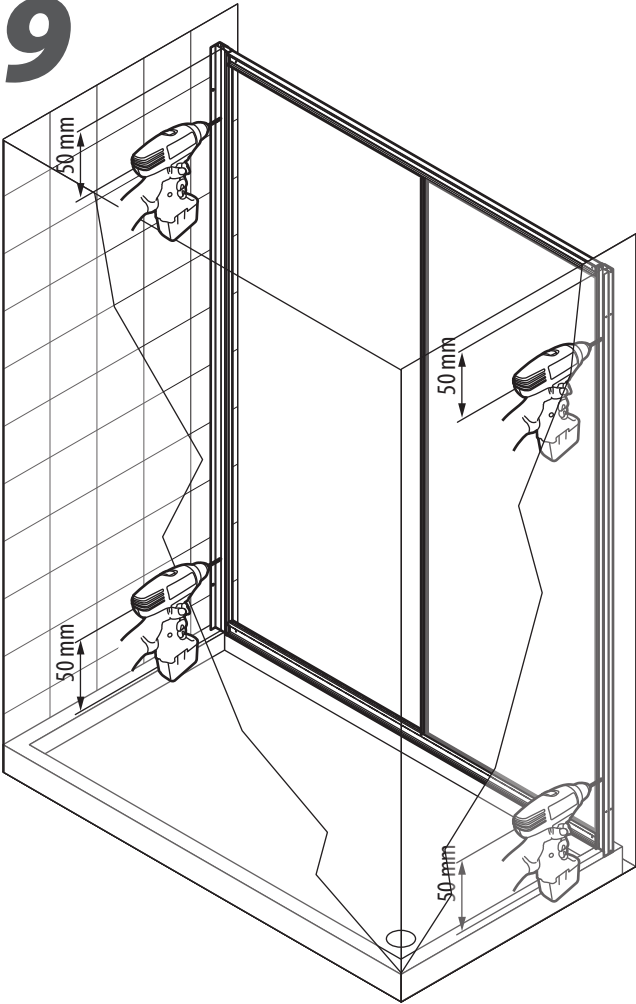
7



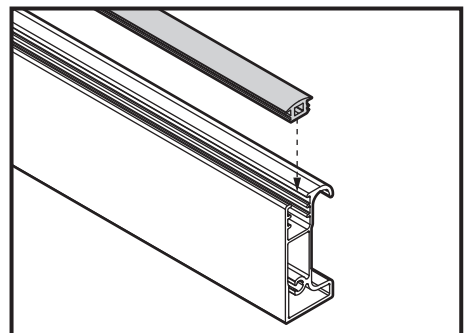
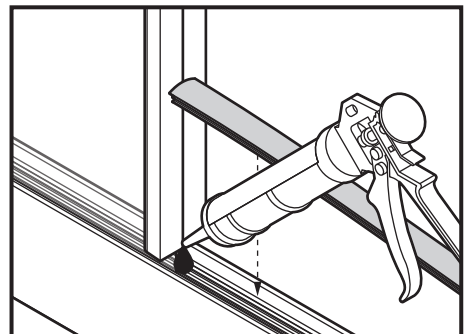
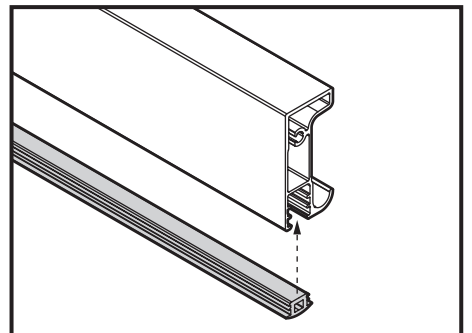
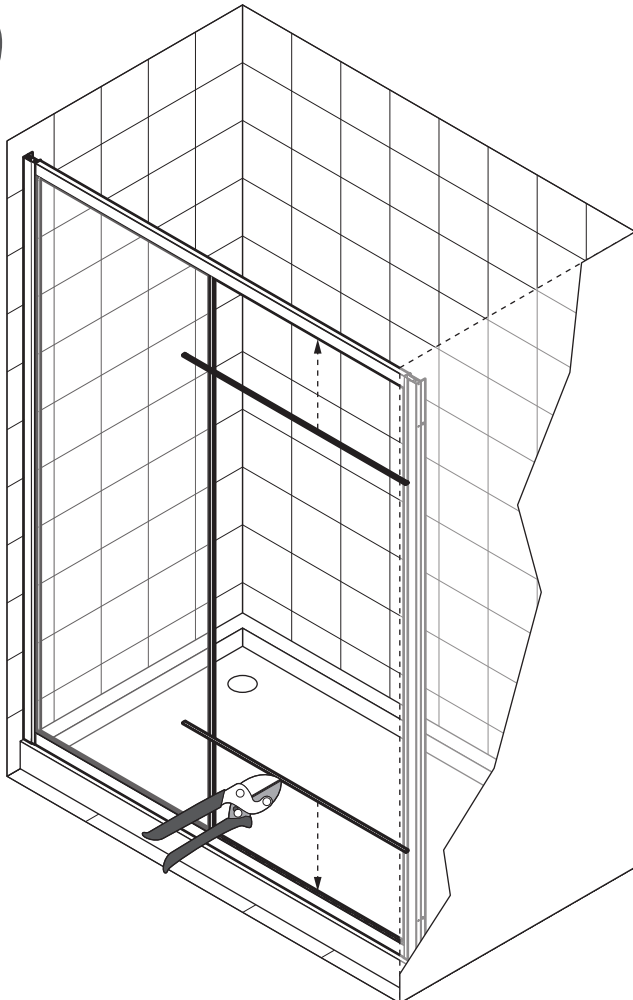
8



# 9



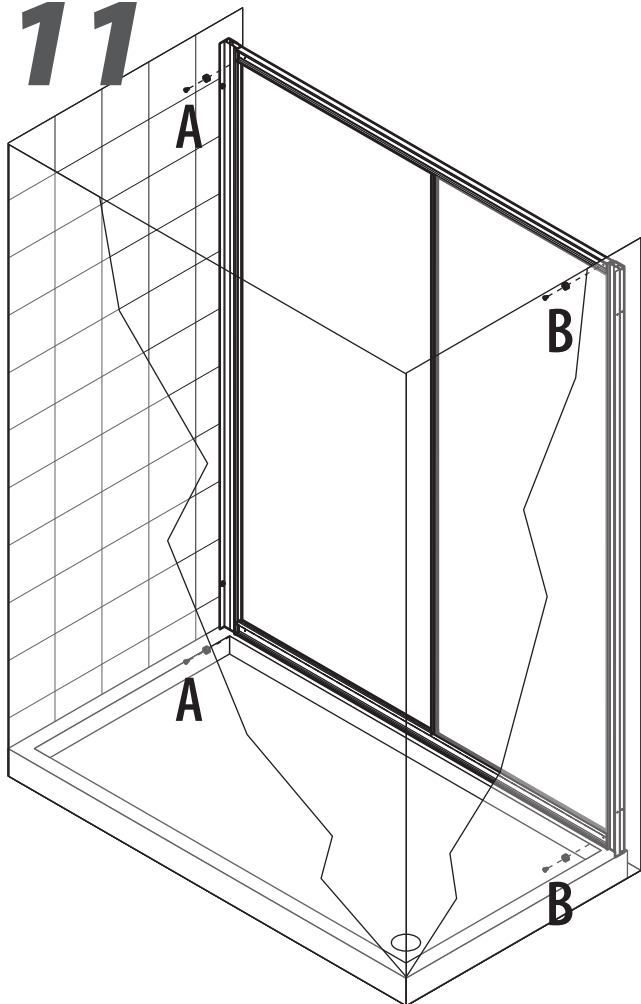
# 10



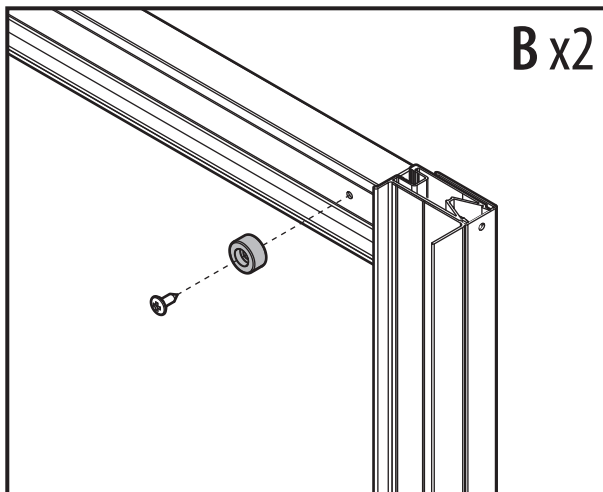
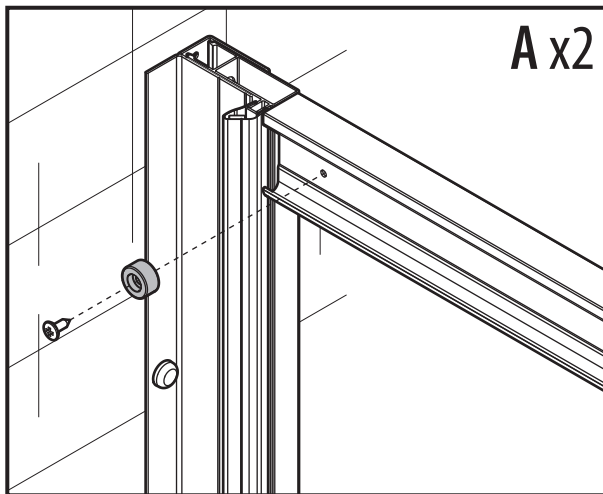
8



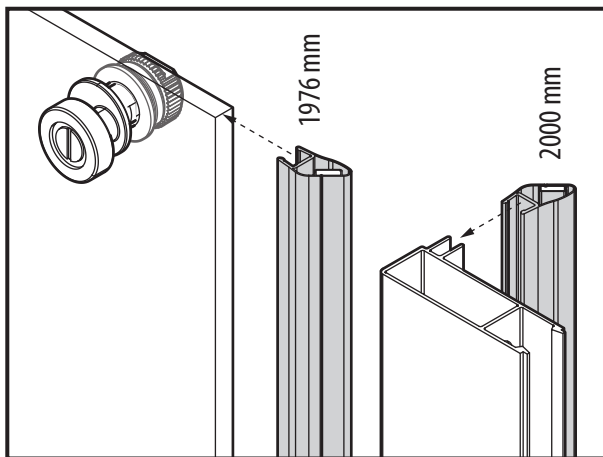
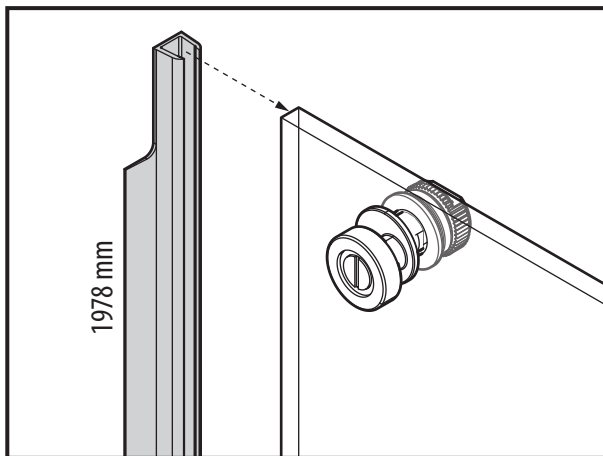
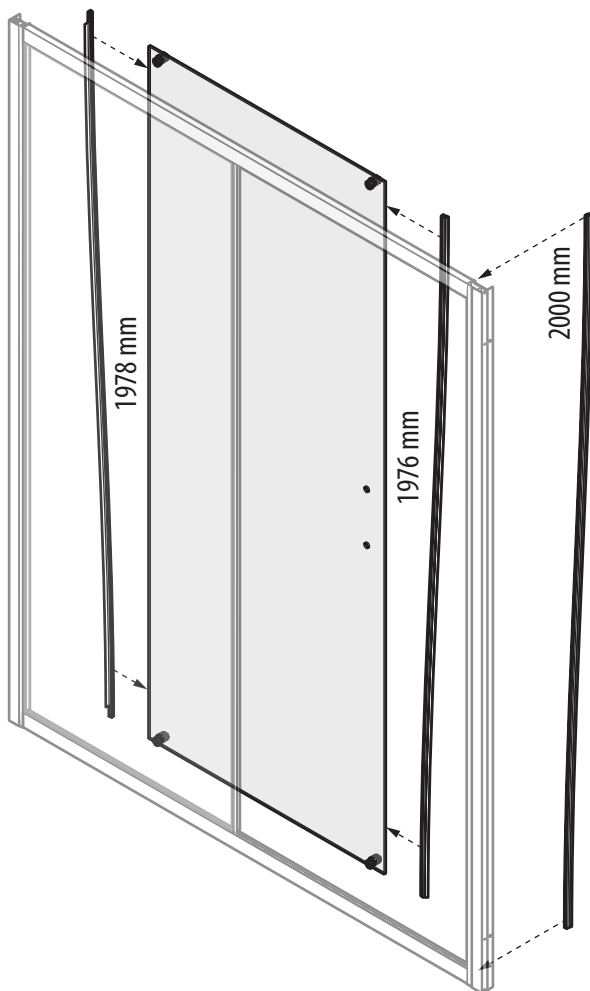
# 11



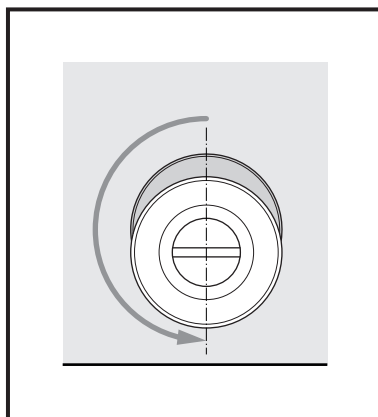
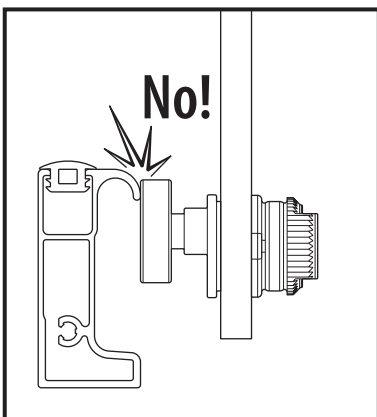
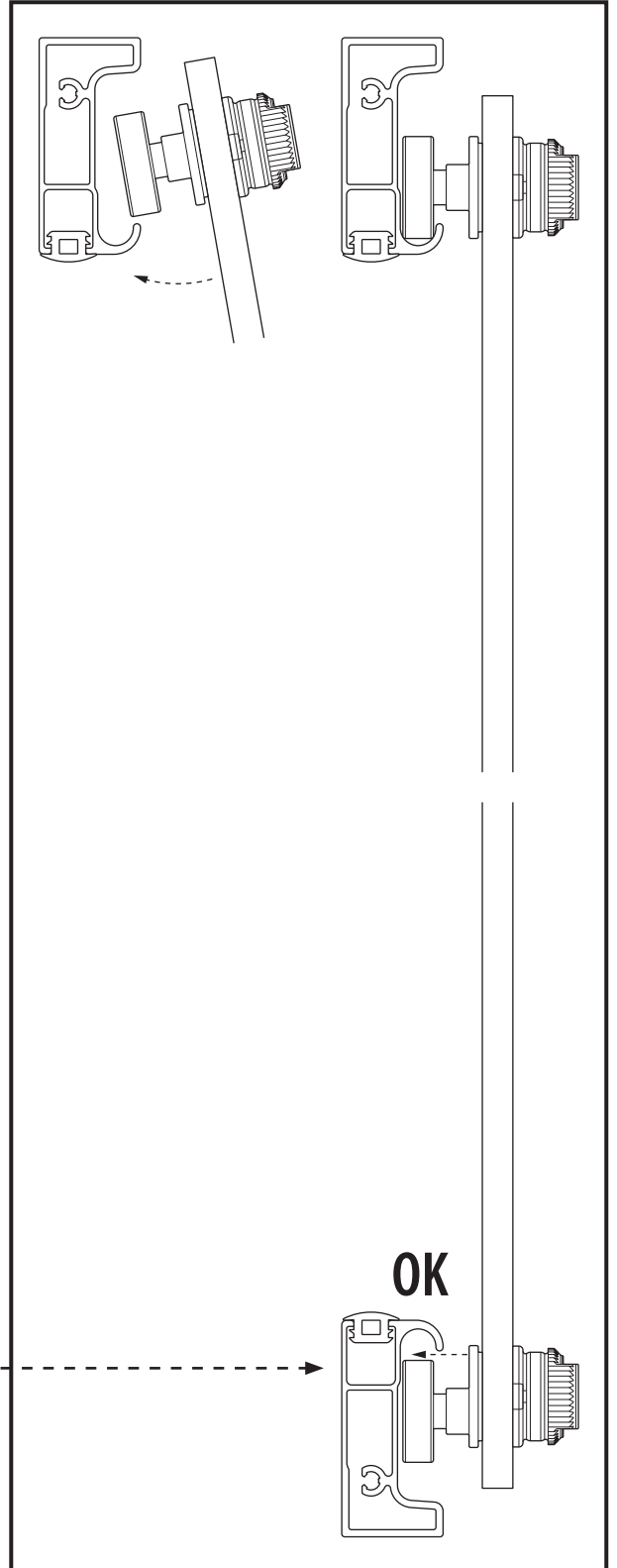
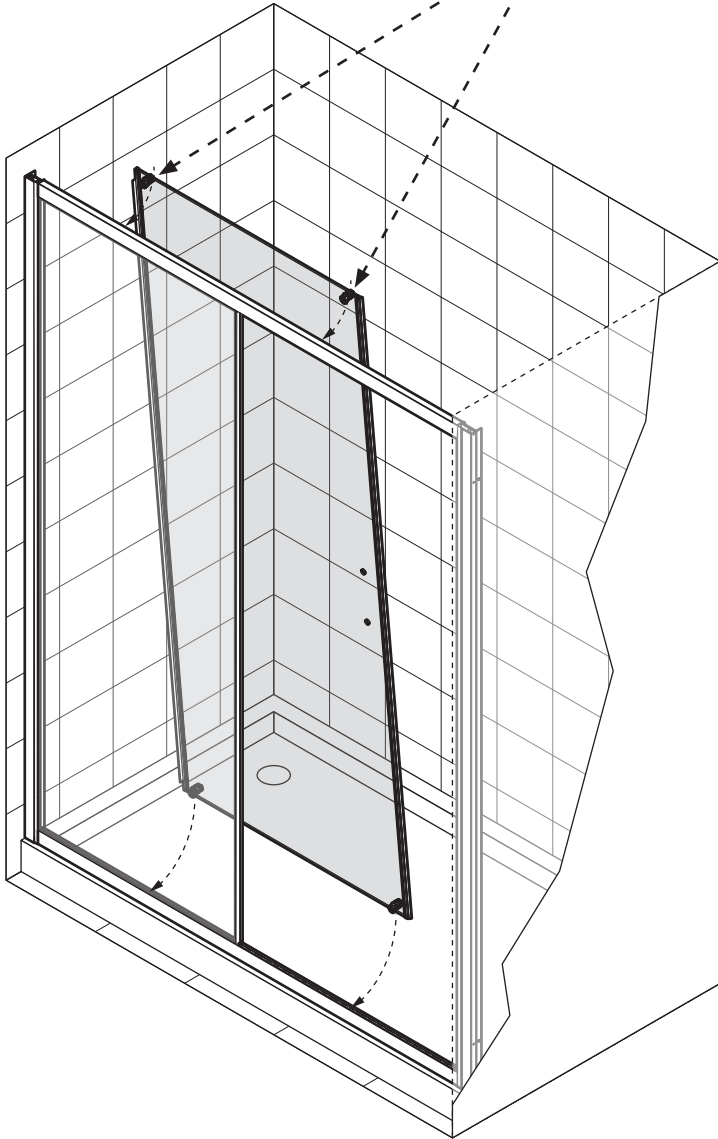
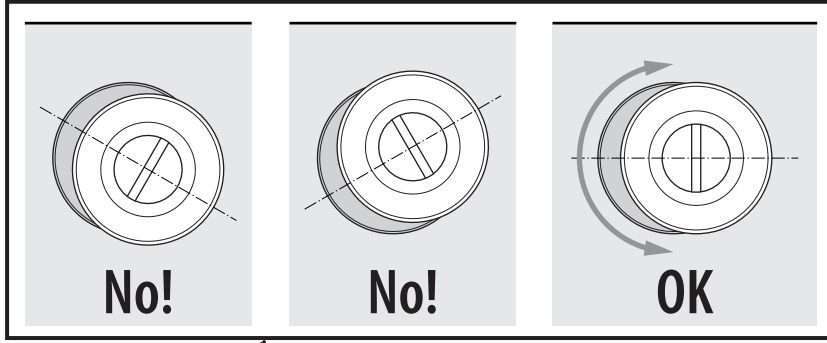
3,5x9,5 x4



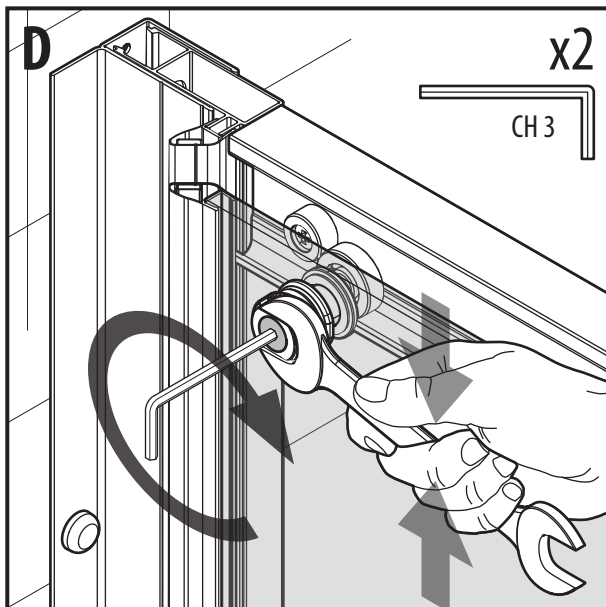
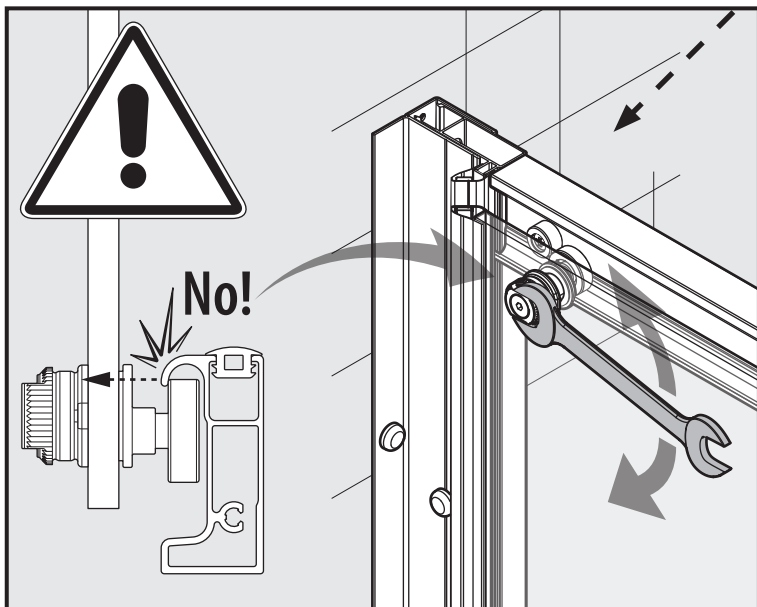
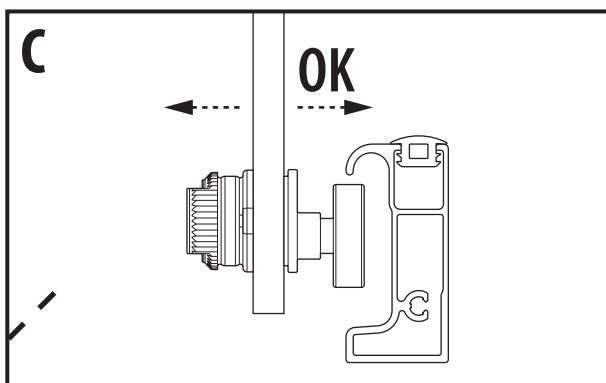
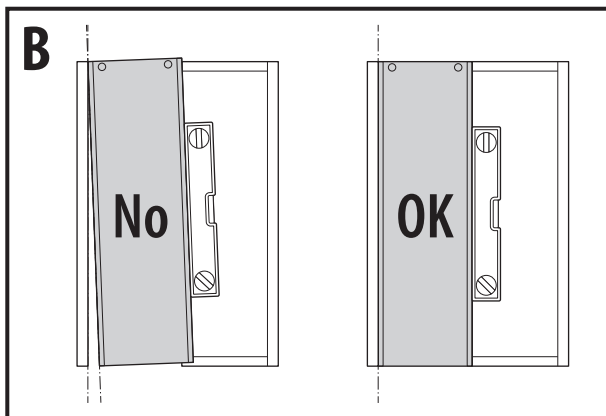
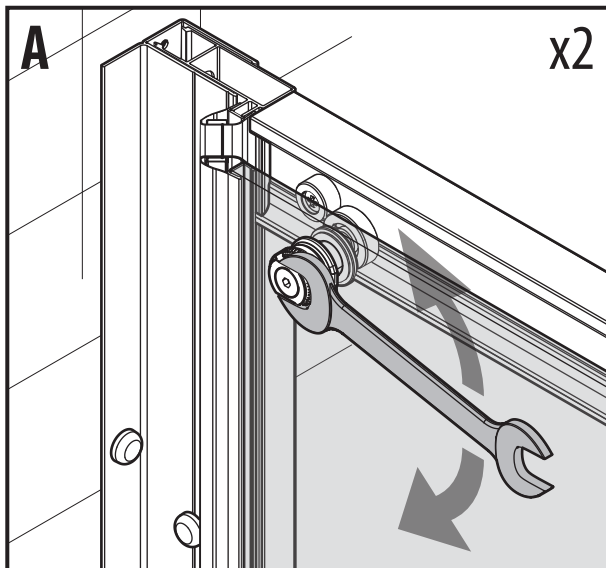
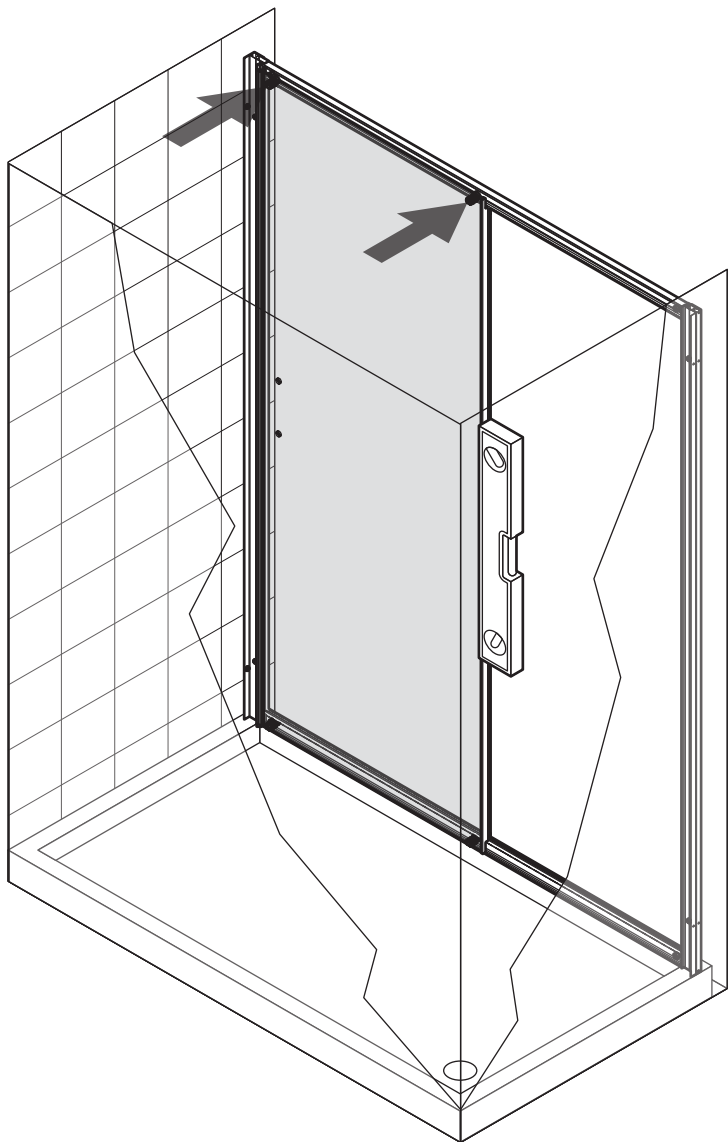
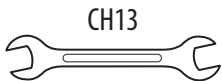
# 12



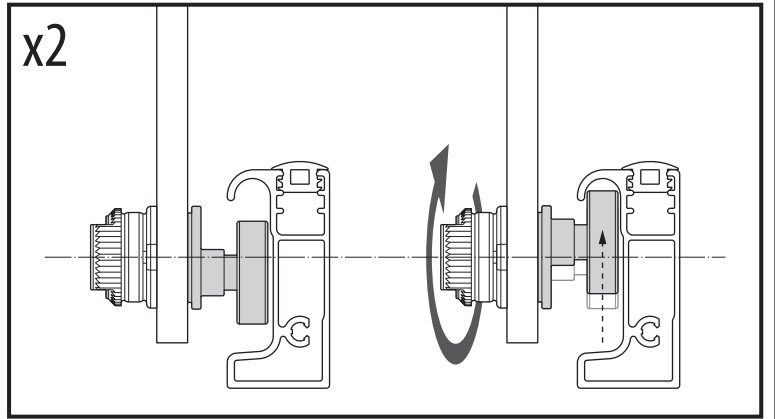
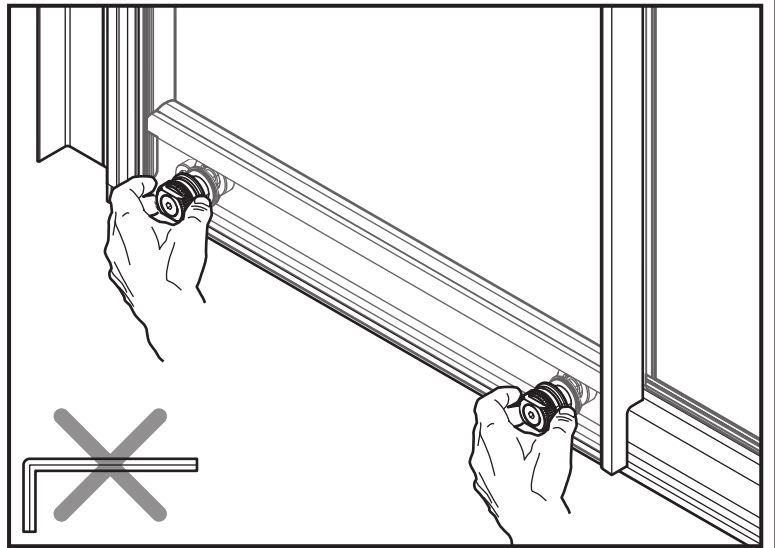
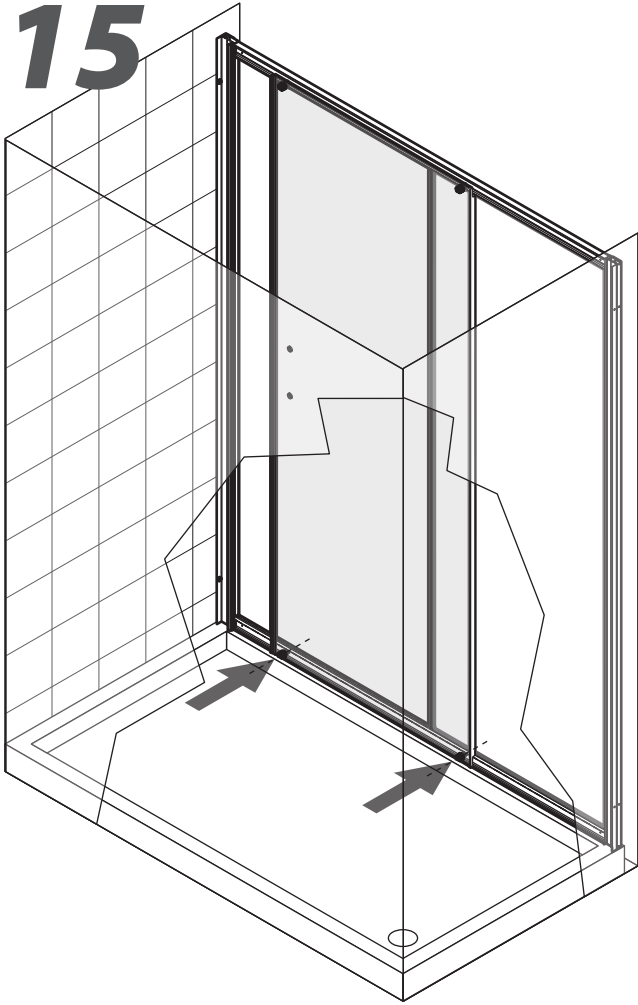
# 13



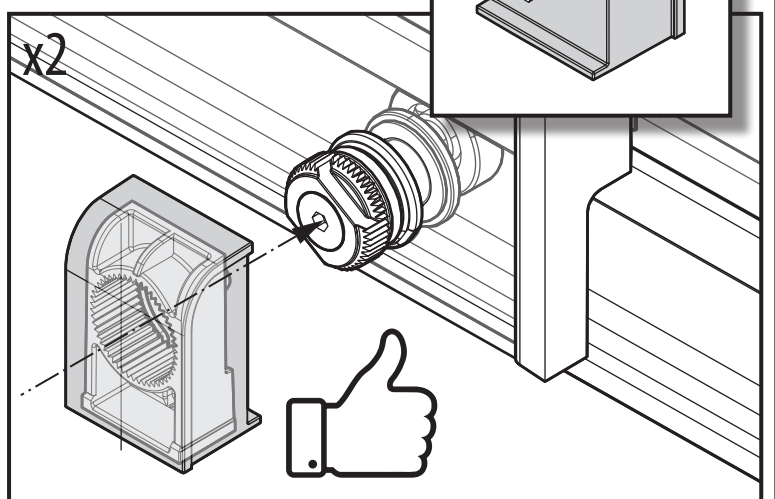
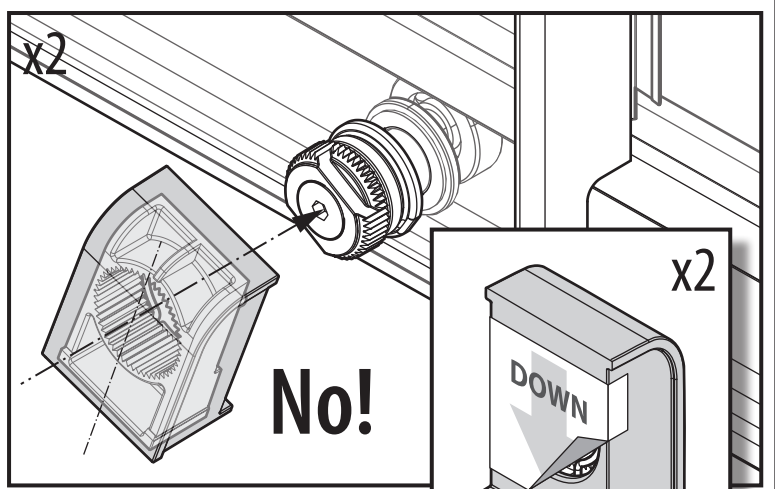
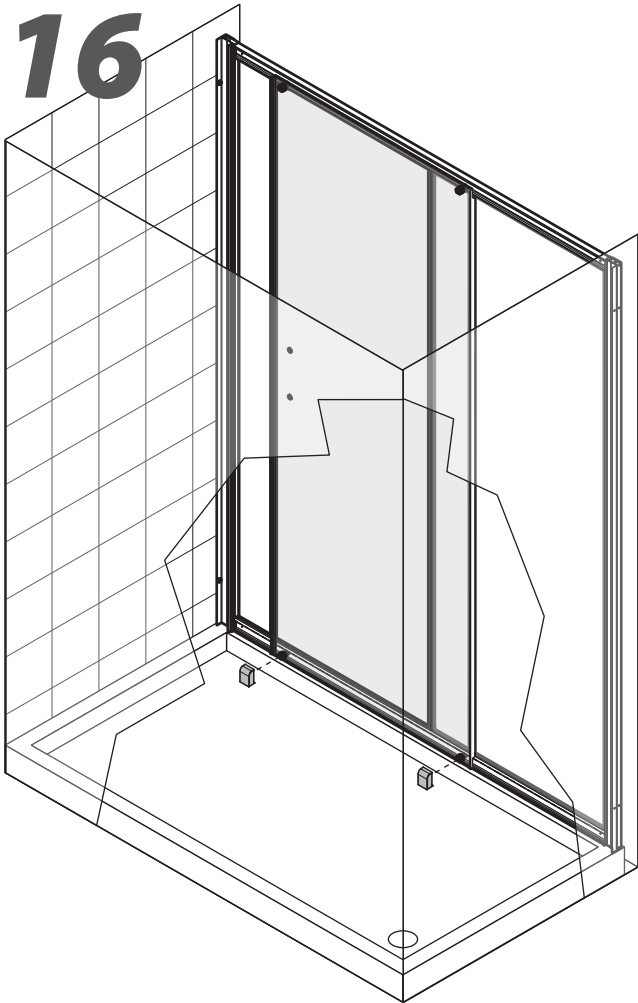
# 14



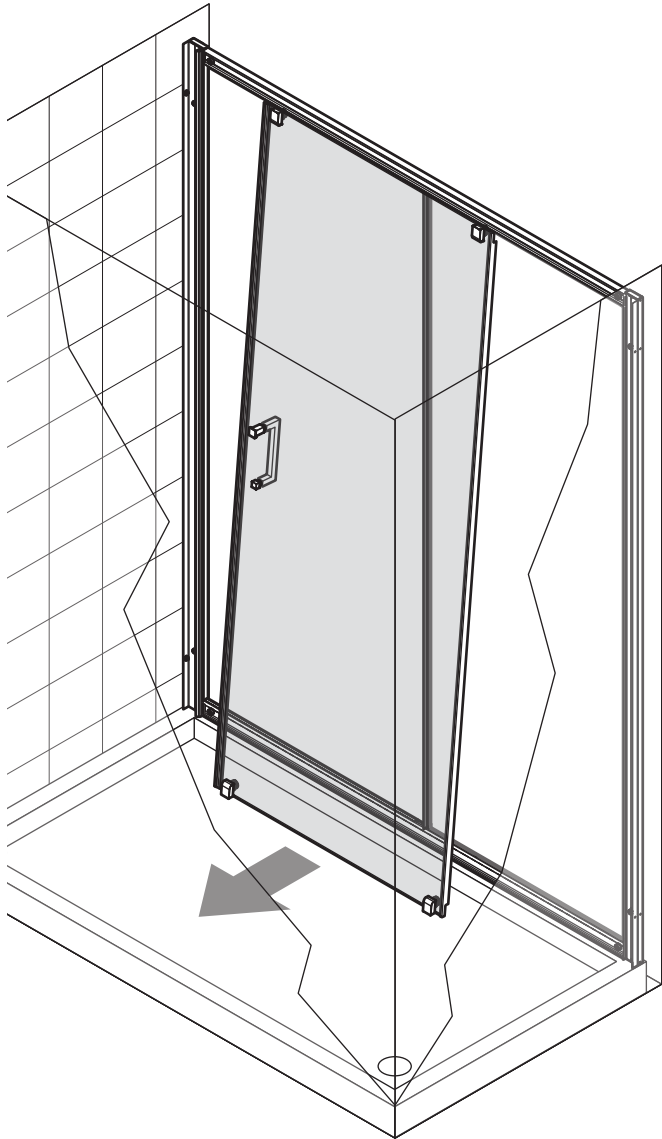
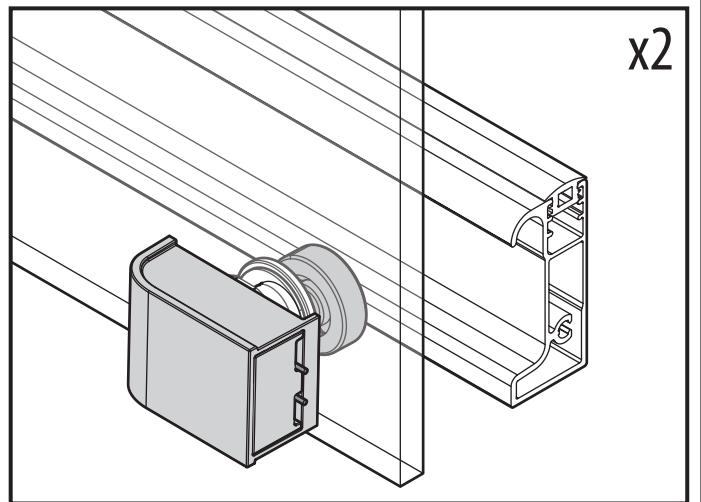
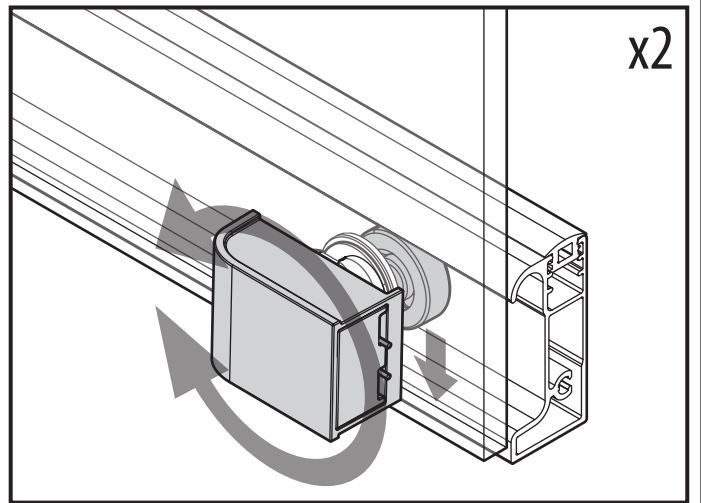
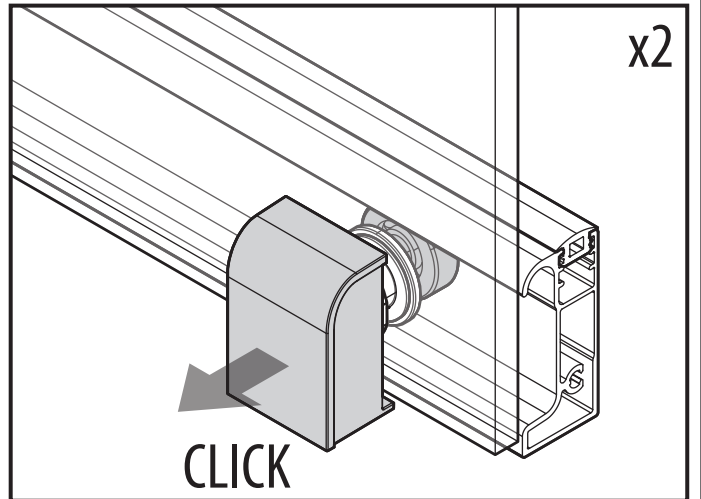
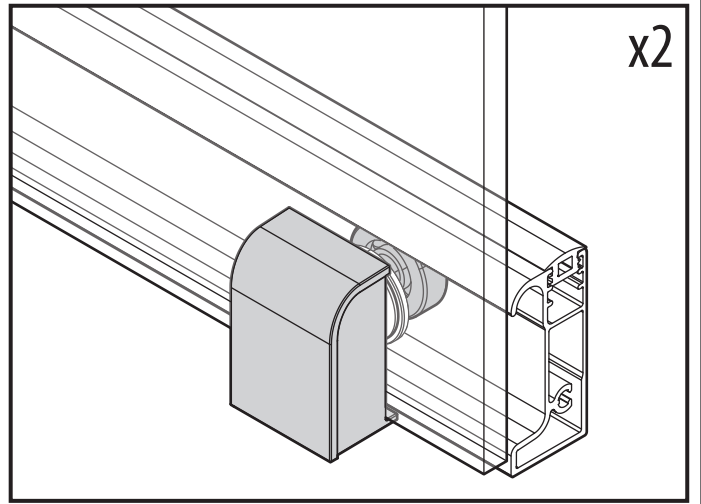
# 15



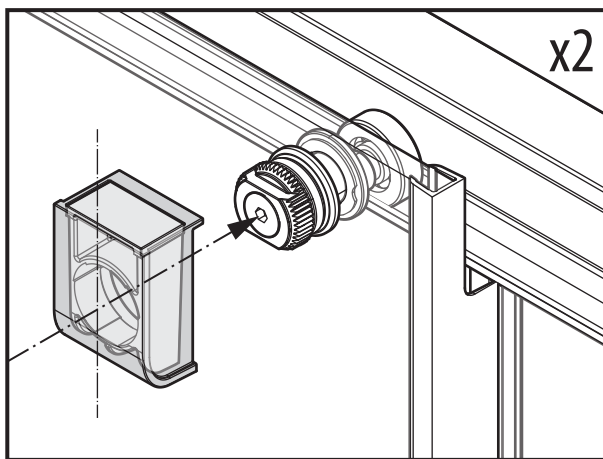
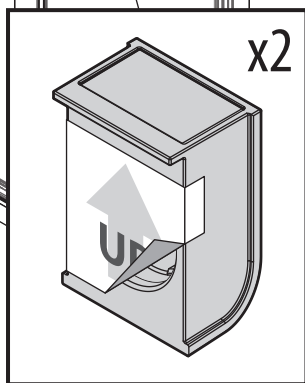
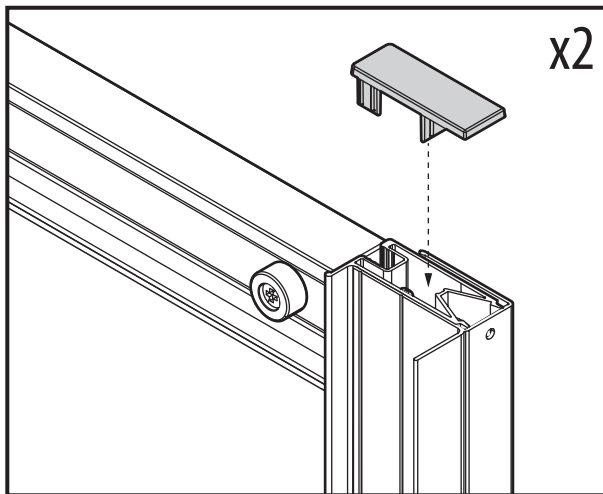
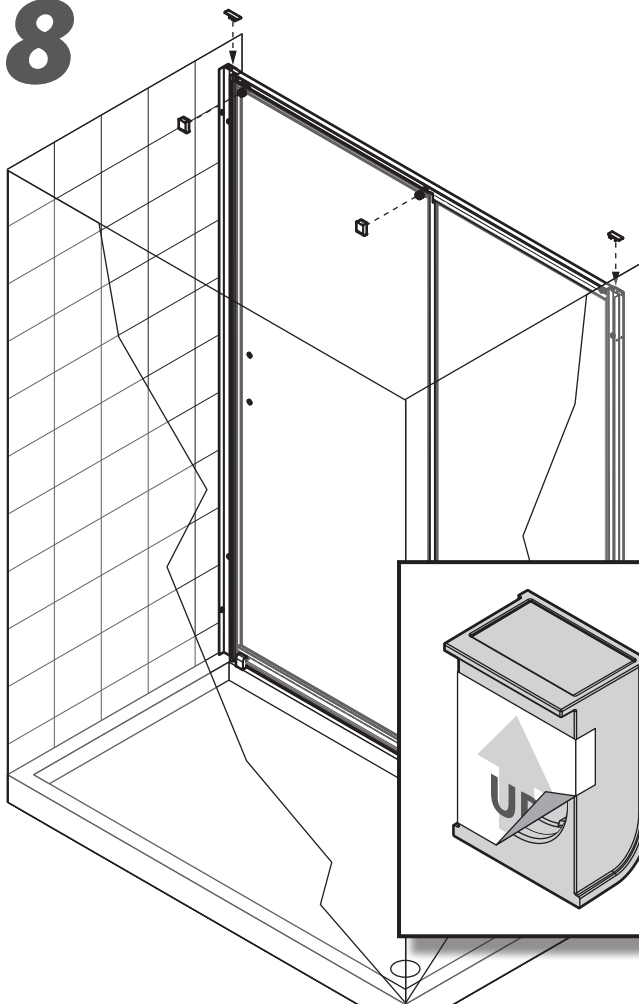
# 16



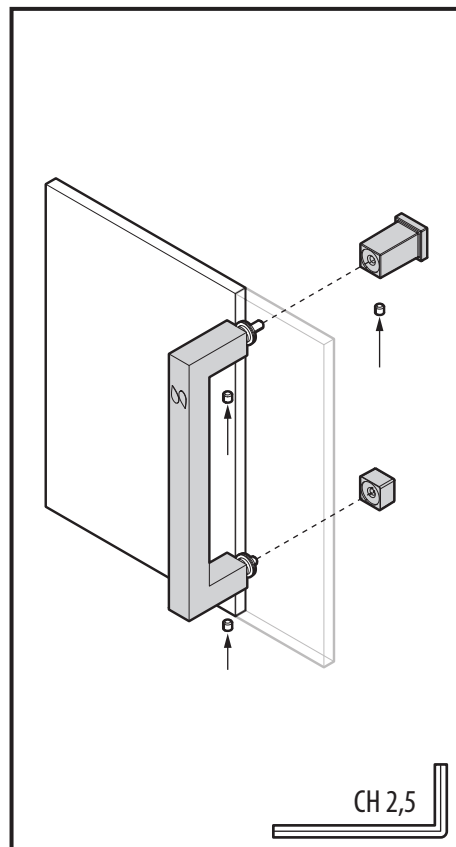
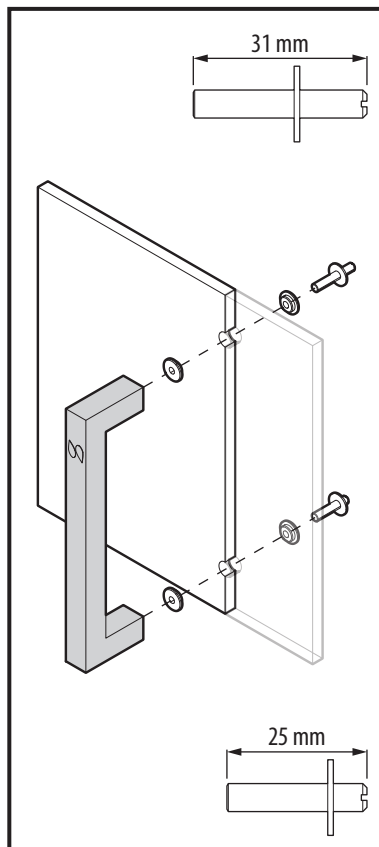
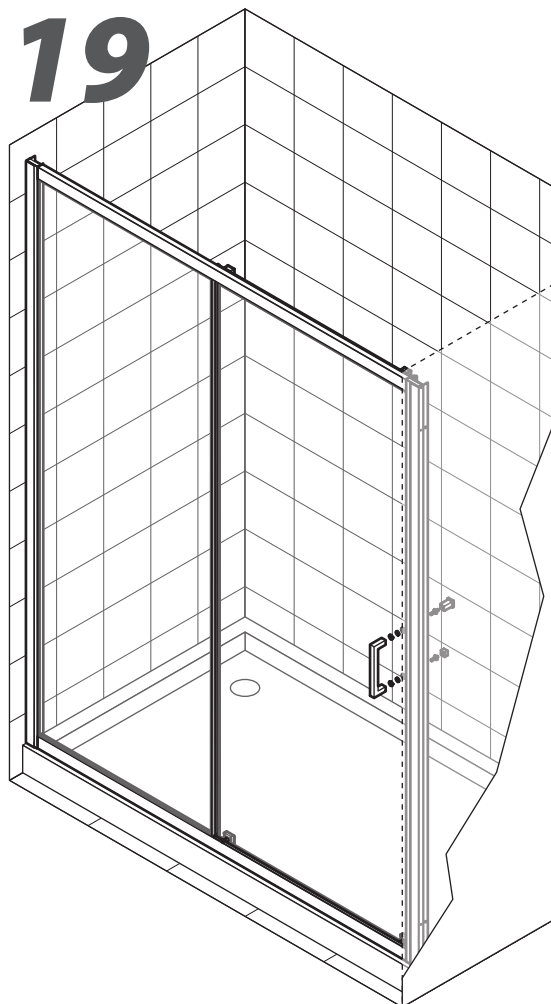
# 17 Testing



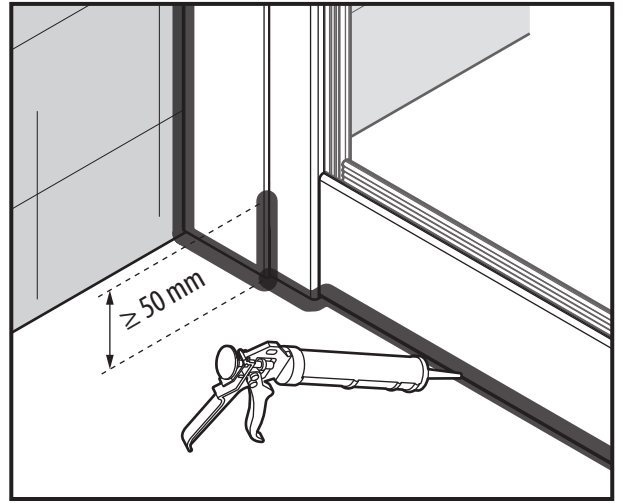
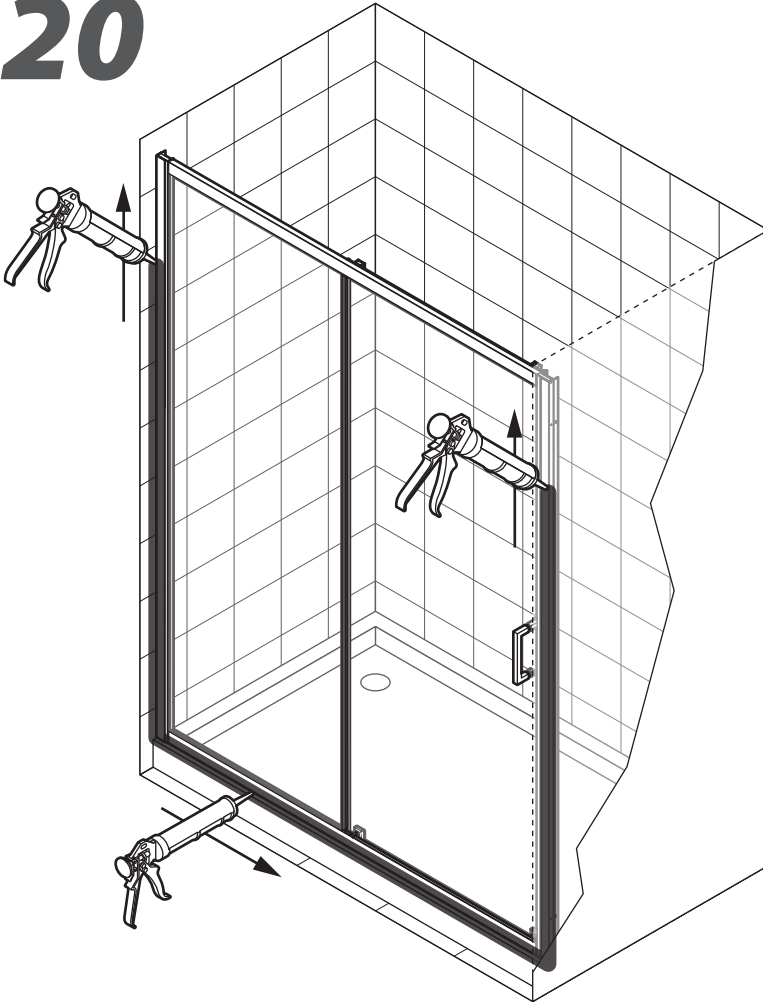
# 18



# 19



# 20



# 21

