

27 803 892 Product version from 6/30/2015 to 7/21/2020



- Three or five settings: COMPACT RAIN, COMPACT SOFT FLOW, COMPACT AQUAPRESSURE FLOW, max. flow rate 15 l/min (at 3 bar)
- Function from: 5 l/min
- inherently safe from back flow
- with anti-scale system
- metal shower hose 1250mm with integrated anti-twist protection

Technical data:

- rosette for wall elbow Ø 55mm
- rosette for shower holder Ø 55mm
- 1/2" wall elbow
- 1/2" shower outlet

Notes:

	Brushed Platinum	27 803 892-06
	Chrome	27 803 892-00
	Platinum	27 803 892-08
	Dark Chrome	27 803 892-19
	Brushed Durabrass (23kt Gold)	27 803 892-28
	Matte Black	27 803 892-33
	Brushed Gold (PVD)	27 803 892-37
	Brushed Dark Brass (PVD)	27 803 892-39
	Brushed Bronze (PVD)	27 803 892-42
	Brushed Dark Bronze (PVD)	27 803 892-43
	Brushed Champagne (22kt Gold)	27 803 892-46
	Champagne (22kt Gold)	27 803 892-47
	Brushed Chrome	27 803 892-93
	Brushed Dark Platinum	27 803 892-99

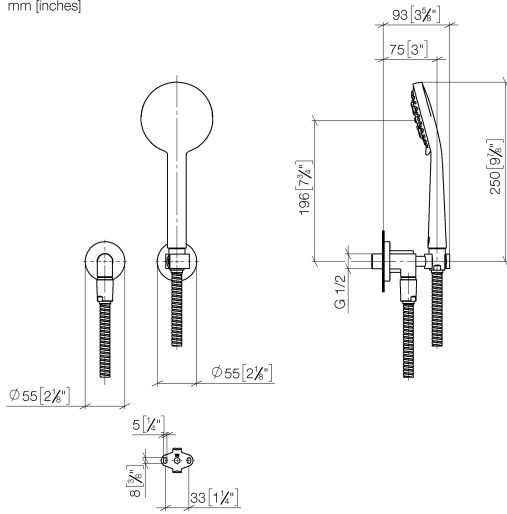
Recommended miscellaneous

- Concealed wall elbow -** 35 085 970 90
- min. recess depth 90 mm
 - max. recess depth 163 mm



27 803 892 Product version from 6/30/2015 to 7/21/2020

mm [inches]



Flow rate chart



Codes & Standards

DIN 4109

EN 1717

ISO 3822

Ü-Zeichen



TARA Hand shower set with individual rosettes - Brushed Platinum

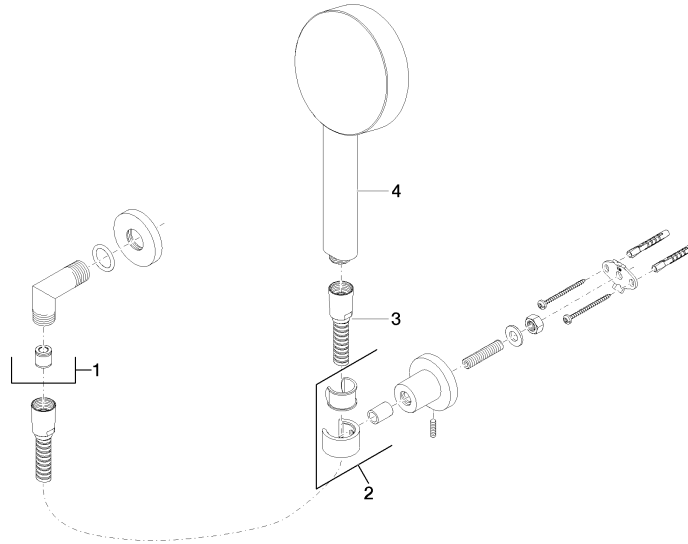
TARA

27 803 892 Product version from 6/30/2015 to 7/21/2020

Certificates and sustainability

LGA_29

Belgaqua_21-024-2 Belgaqua_25-344-2



Spare parts list

No.	Item Number	Name	Quantity used	Delivery time
3	28 104 970-06	Metal shower hose 1/2" x 1/2" x 1250 mm - Brushed Platinum	1.00	14
1	28 450 892-06	TARA Wall elbow - Brushed Platinum	1.00	-
	Spare part can no longer be ordered, please order the replacement item			
	28450625-06	Wall elbow - Brushed Platinum		
2	28 050 892-06	TARA Wall bracket - Brushed Platinum	1.00	20
4	28 011 979-06	Hand shower 9 l/min - Brushed Platinum	1.00	-
	Spare part can no longer be ordered, please order the replacement item			
	28012979-06	Hand shower 120 mm - Brushed Platinum		