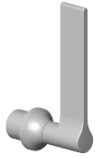


Handle for 2-way/3-way diverter Neutral Lever 72 x 72 x 55 mm - Brushed Dark Brass (PVD)

SPARE PARTS

90 20 80 015 01 Product version from 4/1/2025



	Brushed Dark Brass (PVD)	90 20 80 015 01-39
	Chrome	90 20 80 015 01-00
	Brushed Platinum	90 20 80 015 01-06
	Platinum	90 20 80 015 01-08
	Dark Chrome	90 20 80 015 01-19
	Brushed Light Gold (PVD)	90 20 80 015 01-27
	Brushed Durabronze (23kt Gold)	90 20 80 015 01-28
	Brushed Champagne (22kt Gold)	90 20 80 015 01-46
	Champagne (22kt Gold)	90 20 80 015 01-47
	Brushed Dark Platinum	90 20 80 015 01-99



Handle for 2-way/3-way diverter Neutral Lever 72 x 72 x 55 mm - Brushed Dark
Brass (PVD)

SPARE PARTS

90 20 80 015 01 Product version from 4/1/2025



Handle for 2-way/3-way diverter Neutral Lever 72 x 72 x 55 mm - Brushed Dark
Brass (PVD)

SPARE PARTS

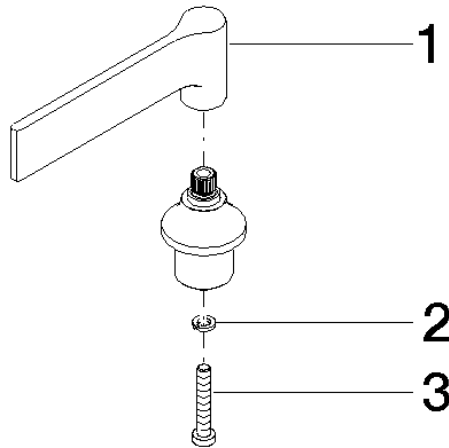
90 20 80 015 01 Product version from 4/1/2025

Handle for 2-way/3-way diverter Neutral Lever 72 x 72 x 55 mm - Brushed Dark Brass (PVD)

SPARE PARTS

90 20 80 015 01 Product version from 4/1/2025

Parts for other finishes can be found here: [Chrome](#)



Spare parts list

No.	Item Number	Name	Quantity used	Delivery time
2	90 30 11 029 00 90	Connection Spring lock washer Ø 4 -	1.00	14
1	09 20 80 015-39	Handle Neutral Lever 14 x 30 x 90 mm - Brushed Dark Brass (PVD)	1.00	82
3	09 30 30 084 90	Mounting Cylinder head screw with hexagon socket Low profile M4 x 25 mm -	1.00	14