

# MADISON Three-hole basin mixer with pop-up waste - Brushed Durabronze (23kt Gold)



MADISON

20 700 360 Product version from 7/31/2009



- 135mm projection
- fixed spout
- circular, air-enriched flow
- height of mixer 72 mm
- height up to aerator 40 mm
- hole diameter valve 32 mm
- hole diameter spout 35 mm
- without rosette
- 2x 1/2" x 1/2" high pressure hose
- max. flow 7 l/min
- lead-free
- This product can help a building meet the requirements of Green Building Rating Systems, e.g. LEED®, BREEAM®, DGNB
- WRAS

Only suitable for basins with an overflow.

	Brushed Durabronze (23kt Gold)	20 700 360-28
	Chrome	20 700 360-00
	Brushed Platinum	20 700 360-06
	Platinum	20 700 360-08
	Durabronze (23kt Gold)	20 700 360-09
	Brushed Gold (PVD)	20 700 360-37
	Brushed Dark Brass (PVD)	20 700 360-39
	Brushed Bronze (PVD)	20 700 360-42
	Brushed Dark Platinum	20 700 360-99

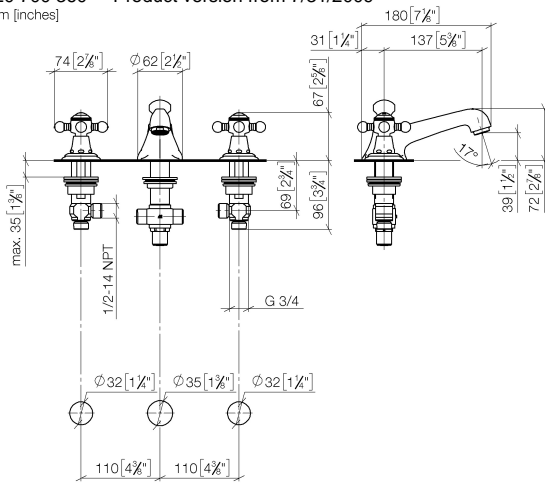
## Recommended miscellaneous



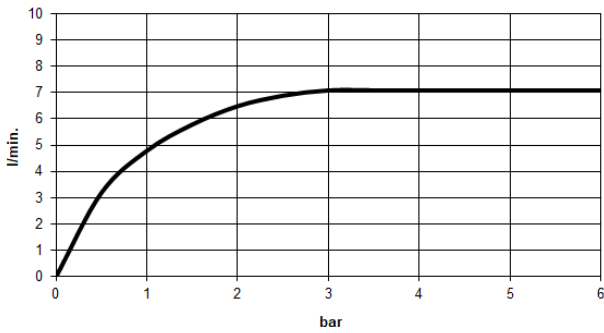
**High pressure hoses -**  
 • 2x 3/8" x 1/2" x 500mm high pressure hose

12 506 970 90

20 700 360 Product version from 7/31/2009  
mm [inches]



**Flow rate chart**



**Codes & Standards**

DIN 4109	EN 200	Executive Order no. 1007	ISO 3822
Scottish Water Byelaws	UK Water Supply Regulations	Ü-Zeichen	VA-Zeichen



MADISON Three-hole basin mixer with pop-up waste - Brushed Durabross  
(23kt Gold)

MADISON

20 700 360 Product version from 7/31/2009

Certificates and sustainability

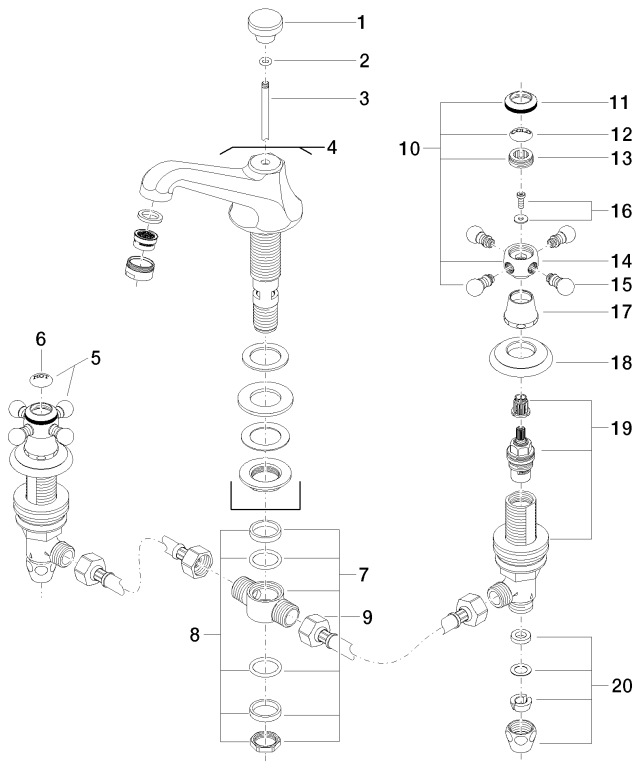
GDV\_0400

ETA\_17

LGA\_8

WRAS\_240602

EPD-DOR-20230287  
-IBA1-EN  
Environmental.prod  
uct-declarat



21 ————— Ablaufgarnitur 04.11.01.001.00.FP