



Reliable charging for efficient buildings

EVlink™ Pro AC Metal

Unique features

User-friendly

Simple and intuitive to:

- Purchase
- Install
- Commission
- Use
- Operate
- Maintain

Advanced Connectivity

- Mobile apps for commissioning
- Remote monitoring
- Smart charging
- OCPP 1.6 Json
- Modbus

Reliability and safety

- Robust products:
 - 100% tested and certified
 - Compliant with strict standards (ISO, IEC, etc.)
- RCD type B EV or Asi and MNx (Undervoltage tripping auxiliary) protection directly embedded in the charger

Flexibility

- Scalable
- Interoperable
- Modular
- Customizable look & feel

Sustainability

- Green Premium™ label
- Repairability



Benefits

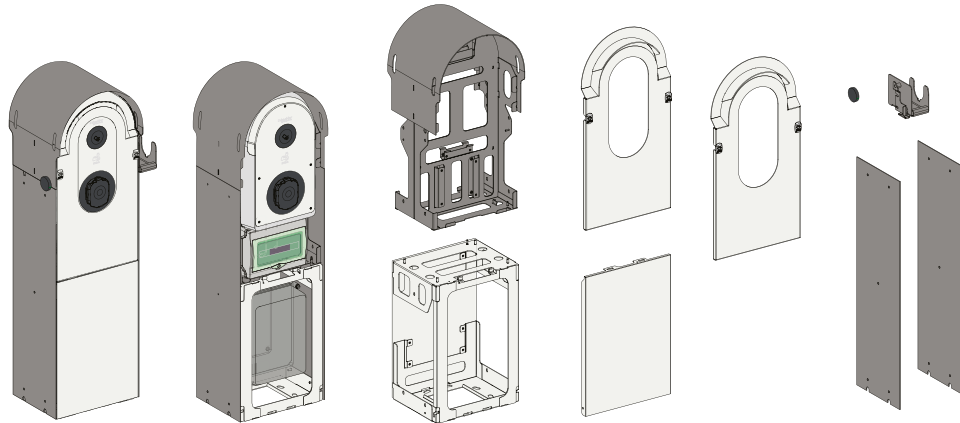
- Schneider Electric launches the new EVlink Pro AC Metal, the next generation of charging stations for electric vehicles
- EVlink Pro AC Metal:
 - Enables highly reliable, flexible and sustainable smart charging for multifamily housing and buildings of the future
 - Optimizes energy consumption
 - Maximizes uptime and efficiency
 - Ensures a seamless user experience for EV installers, operators and drivers

se.com/emobilitysolutions

Life Is 

Schneider
Electric

Characteristics



EVlink Pro AC Metal charging station is sold as a kit and is available as:

- Wall-mounted 1 charge point
- Floor-standing 1 charge point
- Floor-standing 2 charge points

The components required to assemble the EVlink Pro AC Metal are as follows:

1. A metallic kit enclosure:
 - Wall-mounted 1 charge point or
 - Floor-standing 1 charge point or
 - Floor-standing 2 charge points
2. EVlink Pro AC charging station to be installed inside the metal enclosure
3. Optional: Kaedra enclosure(s) and/or Thalassa enclosure to be mounted inside the metal enclosure to accommodate the electrical protections

General characteristics	
Range	EVlink
Product name	EVlink Pro AC Metal
Product type	AC charging station
Device short name	EVB3
Power supply	3P + N for power circuit 1P + N for power circuit
Mounting mode	Wall-mounted Floor-standing
Socket number	1 for the wall-mounted version 1 or 2 for the floor-standing version
Output type	Front side T2 with shutter socket-outlet/silver plated contacts Front side attached cable with T2 connector Domestic socket TE or TF
EVlink Pro AC	All EVlink Pro AC charging stations can be assembled in any type of metallic kit

Characteristics of the charging station's complementary devices	
Kaedra enclosure	Mini-Kaedra for modular device - 1 x 12 modules
Thalassa enclosure for floor-standing 2 charge points, 1 cable entrance 25 ² or 35 ²	PLS box1 Polyester rear Transparent PC cover IP66 27 x 27 x 18cm

Technical data

Technical data	
Standard compliance	IEC/EN 61851-1 Ed 3.0 IEC/EN 62196-1 Ed 2.0 - IEC/EN 62196-2 Ed 1.0 IEC 60884-1 and NF-C 61314 EN 61000-6-2: 2019 EN 61000-6-3:2007 - A1:2011
Metallic kit	IEC/EN 62208
Product certifications	CE EV Ready
IP degree of the EVlink Pro AC	IP55 with T2S socket IP55 with attached cable IP54 with domestic socket
IP degree of enclosures in accordance with IEC 60529	IP3X metallic enclosure IP65 Kaedra enclosure IP66 Thalassa enclosure
IK degree of shock protection	IK10
Ambient air temperature for operation	-30...50°C
Ambient air temperature for storage	-40...80°C
Relative humidity	5...95 %
EVlink Pro AC Metal enclosure material	Electrogalvanized steel class C4M
WM1CP ¹ height	783 mm / 30.8 in.
FS1CP ² height	1,360 mm / 53.5 in.
FS2CP ³ height	1,360 mm / 53.5 in.
EVlink Pro AC Metal width	390 mm / 15.3 in.
TS2 WM1CP / WM1CP ¹ attached cable depth	180.3 mm / 7.1 in.
TS2 FS1CP / FS1CP ² attached cable depth	180.3 mm / 7.1 in.
TS2 FS2CP / FS2CP ³ attached cable depth	355.6 mm / 14 in.
TS2 EVlink Pro AC Metal + domestic socket depth	
Charging station depth with attached cable	
WM1CP ¹ net weight	36 kg / 66.1 lb
FS1CP ² net weight	60 kg / 110.2
FS2CP ³ net weight	80 kg / 176.3
EVlink Pro AC Metal colour: front and rear plate	White RAL 9003
EVlink Pro AC Metal colour: side cover metal	Alu grey RAL 9022
¹ WM1CP: EVlink Pro AC Metal wall-mounted 1 charge point	
² FS1CP: EVlink Pro AC Metal floor-standing 1 charge point	
³ FS2CP: EVlink Pro AC Metal floor-standing 2 charge points	

EVlink Pro AC part number

Part number	Type of socket	Power kW	Current output	Number of phases	Protection supplied	Energy meter
EVB3S22N40MR*	T2S	22	32A	3PH	RCD type B EV + MNx	MID 3PH

* The power measurement will take in account the consumption of the electric vehicle only.

NOTE: All EVlink Pro AC charging stations can be assembled in any metallic kit type. Refer to EVlink Pro AC Datasheet for more information about the part numbers.

Metallic kit part numbers

Part number	Description
EVA1RWKS1	EVlink metallic kit for EVlink Pro AC wall-mounted 1 charge point
EVA1RFKS1	EVlink metallic kit for EVlink Pro AC floor-standing 1 charge point
EVA1RFKS2	EVlink metallic kit for EVlink Pro AC floor-standing 2 charge points

EVlink Pro AC Metal accessories

Accessories	References
3G/4G modem*	EVA1MM
Wifi module*	EVA1MW
External antenna for modem and Wifi	EVA1MMWAA
Cable holder	EVA1FWHS12
ISO15118 module*	EVA1M8
10 RFID badges	EVP1BNS

* To check availability, please contact Schneider Electric front offices.

NOTE: For accessories common to EVlink Pro AC, refer to EVlink Pro AC Datasheet.



Offer sustainability	
Sustainable offer status	Green Premium product
EU RoHS Directive	Compliant
Mercury free	Yes
RoHS exemption information	Yes
Environmental Disclosure	Product Environmental Profile
Circularity Profile	End Of Life Information
REACH Regulation	Compliant

se.com/emobilitysolutions

Life Is On

Schneider
Electric

Schneider Electric Industries SAS
35, rue Joseph Monier - CS 30323
F92506 Rueil-Malmaison Cedex