

TRONIX

213-536

Touch Sensing Head

- Concealed touch sensing head.
- Powered by low voltage 5VDC, output 5V PWM signal.
- Light on/off and brightness adjustment by touch sensor head, brightness range: 0-100%.
- 4 PWM frequencies selectable: 125Hz, 500Hz, 2000Hz(default), 8000Hz.
- Bilateral snap design for easy installation.
- Used for lighting cabinets, closets, wine cabinets and more.

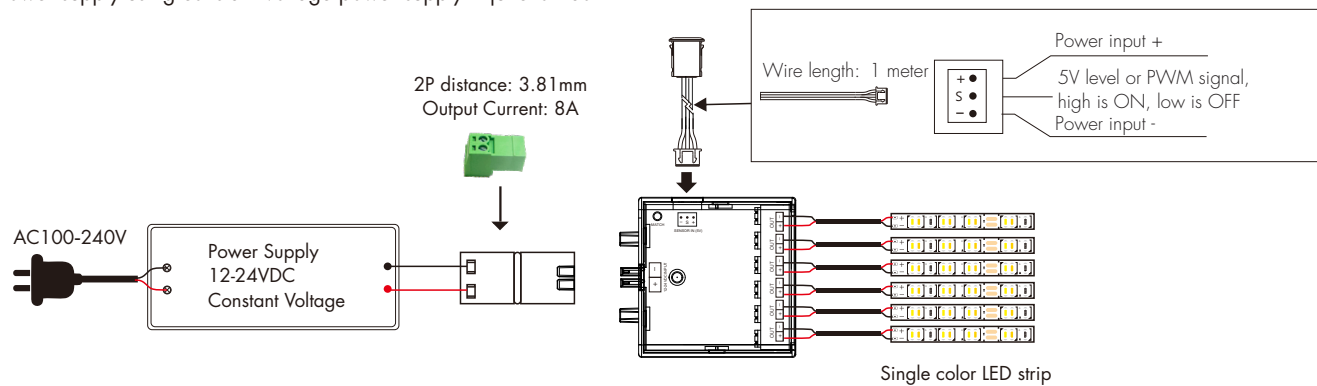
Easy connect



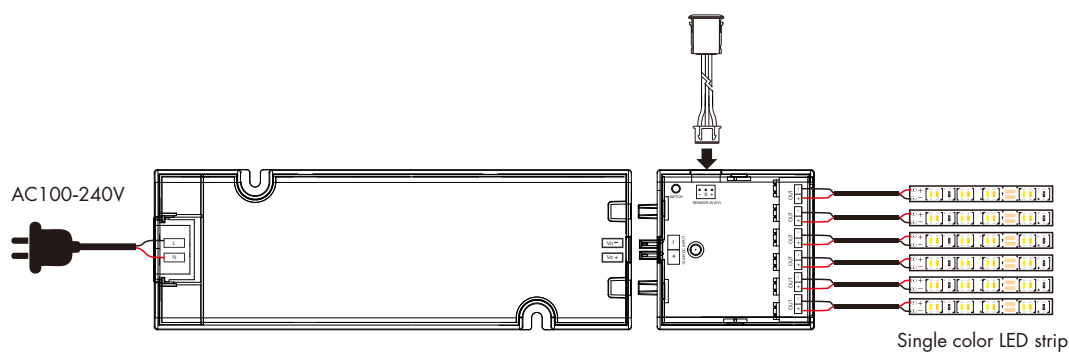
CE RoHS

Wiring Diagram

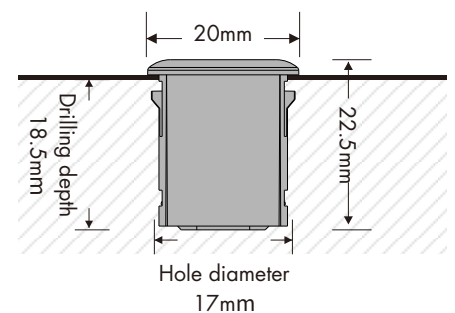
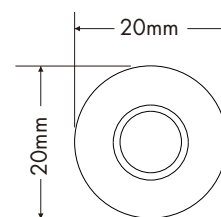
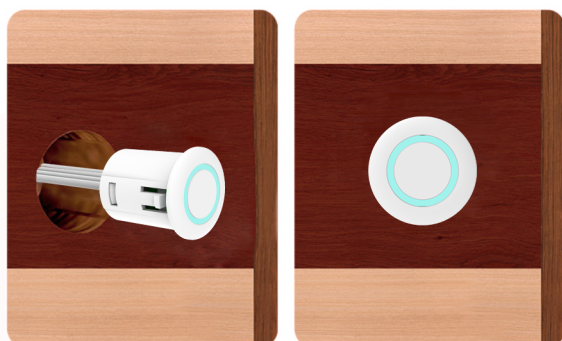
- Power supply using constant voltage power supply + junction box



- Power supply using cabinet constant voltage power supply + junction box

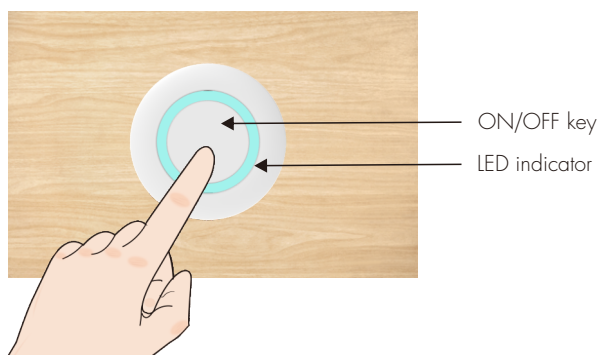


Sensing Head Installation



1. Make 17mm diameter hole.
2. Place the sensing switch into the hole.

Sensing Head Application



Short touch to turn on or turn off light; long touch 1-6s to dimming up or down.

PWM frequency setting: within 3s after the sensing head is powered on.

Press the ON/OFF key 3 times in quick succession, the PWM frequency is set to 125Hz, the indicator light blinks 1 time;

Press the ON/OFF key 4 times in quick succession, the PWM frequency is set to 500Hz, the indicator light blinks 2 time;

Press the ON/OFF key 5 times in quick succession, the PWM frequency is set to 2000Hz, the indicator light blinks 3 time;

Press the ON/OFF key 6 times in quick succession, the PWM frequency is set to 8000Hz, the indicator light blinks 4 time.