

213-530,213-531,213-532,213-533

Hand Sweep / Door Control Infrared wireless Sensing Head

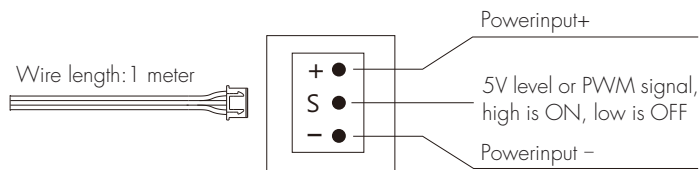
CE RoHS

Model	Product name	Product picture	Size	Sensor data
213-530 213-531	Infrared wireless hand sweep sensing head			Sensitive field: $\leq 10\text{cm}$ Sensitive angle: 15-30
213-532 213-533	Infrared wireless door sensing head			

Features

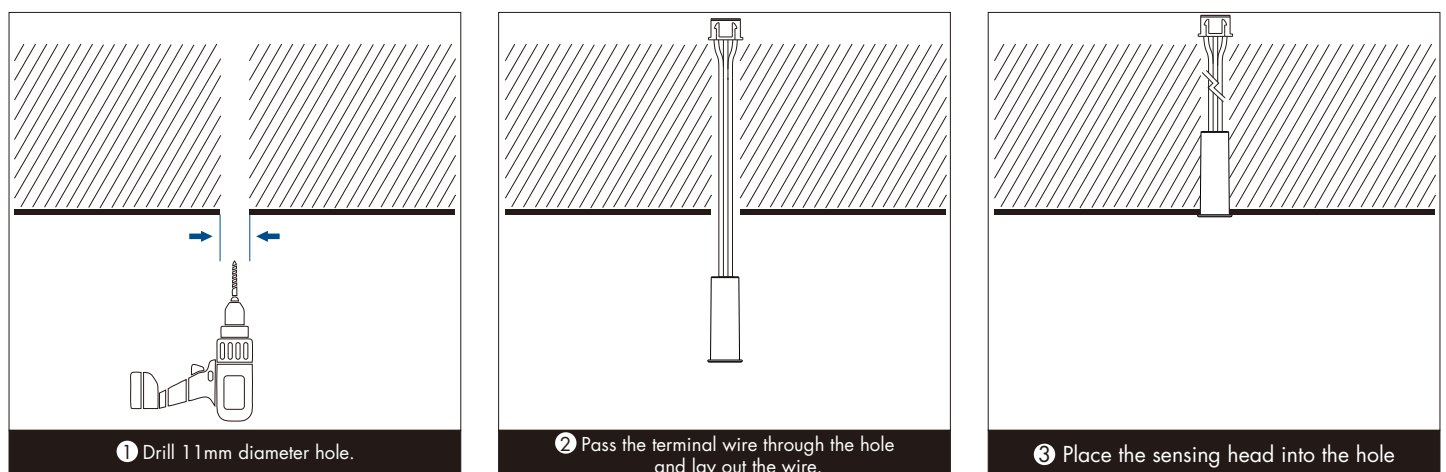
- Powered by low voltage 5VDC, output 5V level or PWM signal.
- Can be used with constant voltage LED dimming power supply.
- Apply to cabinet, closet, wine cabinet and other lighting.
- Output PWM frequency: 2000Hz.

Sensor Wire Define

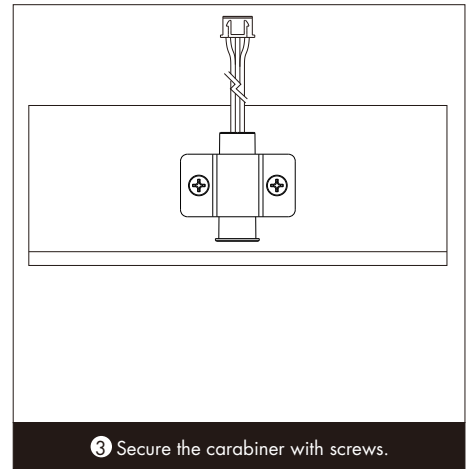
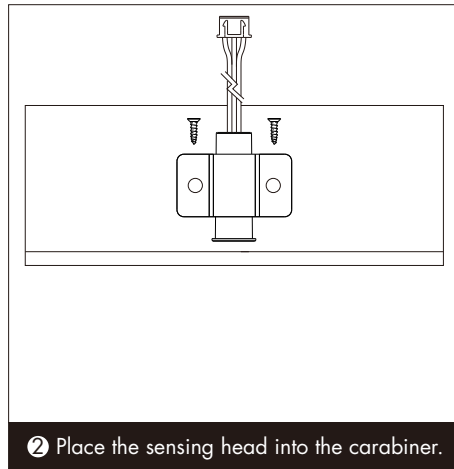
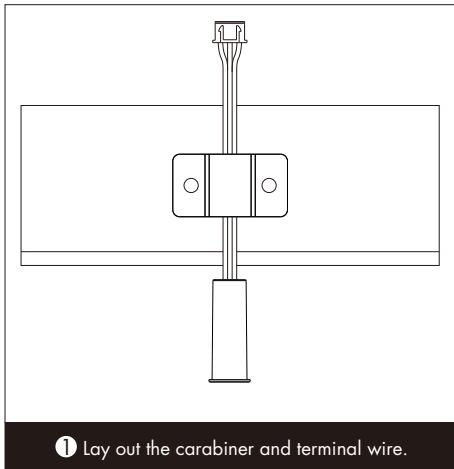


Sensing Head Installation

- Concealed installation:



• Surface mounting method:



Sensing Head Application

213-530/213-531: Infrared wireless hand sweep sensing head

Make pendulum action at the front end of the sensing head:
 when hand sweep, the light turn on gradually;
 when hand sweep again, the light turn off gradually.

Hold your hand in front of the sensing head for more than 2 seconds:
 The brightness increases or decreases continuously,
 the each time the hand is removed and then held again,
 the brightness changes in the opposite direction.

213-532/213-533: Infrared wireless door sensing head

Use the door as a reflection object.
 It is installed at the outer edge of the cabinet door, about 1 cm away from
 the outer edge.

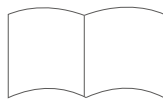
When the door open, or no obstacle in front of the sensing head,
 the light turn on gradually;
 When the door close, or obstacle in front of the sensing head,
 the light turn off gradually.

Packing List

White:



Induction sensor head
1 pcs



User manual
1 pcs



Carabiner
1 pcs

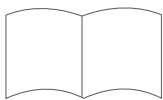


Screw
2 pcs

Black:



Induction sensor head
1 pcs



User manual
1 pcs



Carabiner
1 pcs



Screw
2 pcs