

**VAIA Two-hole bath mixer for free-standing assembly with hand shower set -  
Platinum**

VAIA

25 943 809 Product version from 3/13/2017 to 5/27/2021



- spout: circular, air-enriched flow
  - max. flow 24.6 l/min at 3 bar flow pressure
  - Hand shower: COMPACT RAIN, max. flow rate 6.8 l/min (at 3 bar)
  - hand shower with anti-scale system
  - 226mm projection
  - pivotable spout 360°
  - rotary diverter for bath/shower
  - total height 920 mm
  - stand pipes height 628 mm
  - height up to aerator 816 mm
  - slide-on rosettes Ø 100 mm
  - gauge 150 mm
  - metal shower hose 1250mm with integrated anti-twist protection
  - pivotable shower holder on the right foot
  - WRAS
- Intrinsic protection against back flow.**

Intrinsic protection against back flow.

|   |                                |               |
|---|--------------------------------|---------------|
|    | Platinum                       | 25 943 809-08 |
|    | Chrome                         | 25 943 809-00 |
|    | Brushed Platinum               | 25 943 809-06 |
|    | Dark Chrome                    | 25 943 809-19 |
|    | Brushed Durabronze (23kt Gold) | 25 943 809-28 |
|    | Brushed Dark Brass (PVD)       | 25 943 809-39 |
|    | Brushed Bronze (PVD)           | 25 943 809-42 |
|    | Brushed Dark Bronze (PVD)      | 25 943 809-43 |
|    | Brushed Champagne (22kt Gold)  | 25 943 809-46 |
|   | Champagne (22kt Gold)          | 25 943 809-47 |
|  | Brushed Dark Platinum          | 25 943 809-99 |

**Required miscellaneous**

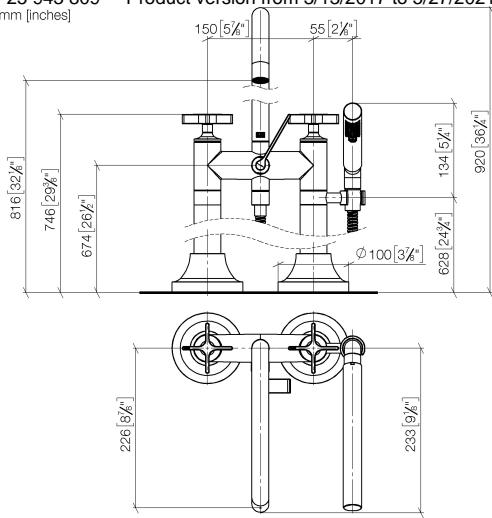


- Concealed floor mounting -** 35 944 970 90
- min. recess depth 80 mm
  - max. recess depth 160 mm

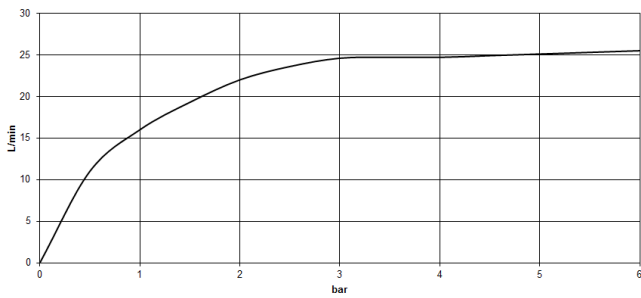
**VAIA Two-hole bath mixer for free-standing assembly with hand shower set -  
Platinum**

VAIA

25 943 809 Product version from 3/13/2017 to 5/27/2021  
mm [inches]



**Flow rate chart**



**Codes & Standards**

|                |                           |                                |           |
|----------------|---------------------------|--------------------------------|-----------|
| ASME A112.18.1 | cUPC                      | DIN 4109                       | EN 1717   |
| ISO 3822       | Scottish Water<br>Byelaws | UK Water Supply<br>Regulations | Ü-Zeichen |



VAIA Two-hole bath mixer for free-standing assembly with hand shower set -  
Platinum

VAIA

---

25 943 809 Product version from 3/13/2017 to 5/27/2021

Certificates and sustainability

---

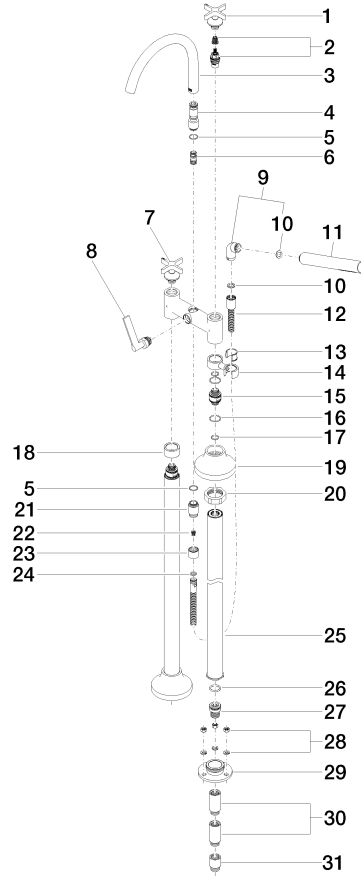
LGA\_29

Belgauqa\_22\_276\_2 IAPMO\_4976

WRAS\_240502

EPD-DOR-20230287  
-IBA1-EN  
Environmental.prod  
uct-declarat

25 943 809 Product version from 3/13/2017 to 5/27/2021



# VAIA Two-hole bath mixer for free-standing assembly with hand shower set - Platinum

VAIA

25 943 809 Product version from 3/13/2017 to 5/27/2021

## Spare parts list

| No.  | Item Number        | Name   | Quantity used | Delivery time |
|--|--------------------|--|---------------|---------------|
| 9  | 04 24 04 189 00-08 | Elbow 20° 55 x 40 x 23 mm - Platinum                               | 1.00          | 54            |
| 13   | 90 18 40 035 00 90 | Sleeve -   | 1.00          | 14            |
| 31   | 09 24 03 080 90    | Extension 1/2" x 25 mm -   | 2.00          | 14            |
| 3  | 90 28 22 317 00-08 | Spout 220 mm, 25,2 l/min. - Platinum                               | 1.00          | 54            |
| 4  | 09 24 03 273-08    | Nipple Ø 24 x 75,50 mm - Platinum                                  | 1.00          | 54            |
| 15   | 09 29 05 021 20 90 | Connection Ø 29 x 41,5 mm -  | 2.00          | 14            |
| 12   | 90 30 02 072 00-08 | Metal shower hose 1/2" x 3/8" x 1250 mm - Platinum                 | 1.00          | 54            |
| 21   | 09 24 03 121-08    | Nipple Ø 24,7 x 34,5 mm - Platinum                                 | 1.00          | 54            |
| 30   | 09 24 03 081 10 90 | Extension 1/2" x 50 mm -   | 4.00          | 14            |
| 14   | 04 28 10 029 01-08 | Holder for spray deck mounting - Platinum                          | 1.00          | 54            |
| 25   | 04 28 22 009 20-08 | Connection 590 mm - Platinum                                       | 2.00          | 54            |
| 7  | 90 20 80 011 01-08 | Handle for spray/bath deck mounting Hot Ø 71 x 63 mm - Platinum    | 1.00          | 54            |
| 26   | 09 14 10 081 90    | O-Ring EPDM 70 22,0 x 3,0 mm -                                     | 2.00          | 14            |
| 11   | 28 019 979-08      | Hand shower - Platinum   | 1.00          | -             |
| Spare part can no longer be ordered, please order the replacement item |                    |  |               |               |
| 1  | 90 20 80 010 01-08 | Handle for spray/bath wall mounting Cold Ø 71 x 63 mm - Platinum   | 1.00          | 54            |
| 6  | 90 21 10 011 00 90 | Diverter TARA incl. eccentric -                                    | 1.00          | 14            |
| 16   | 09 14 10 112 90    | O-Ring 24,0 x 2,0 mm -   | 4.00          | 14            |
| 20   | 09 23 30 040-07    | Mounting Nut M45 x 1,5 - untreated nickel-plated                   | 2.00          | 40            |
| 19   | 90 27 80 019 00-08 | Rosette Ø 100 x 55 mm - Platinum                                   | 2.00          | 54            |
| 8  | 90 20 80 015 02-08 | Diverter Handle 135 x 130 x 80 mm - Platinum                       | 1.00          | 54            |
| 24   | 90 14 20 026 00 90 | Washer 14 x 8 x 2 mm Centellen WS 3820 -                           | 1.00          | 14            |
| 28   | 04 23 10 023 00 90 | Mounting for standpipe -   | 6.00          | 14            |
| 2  | 90 90 03 131 00 90 | Head part clockwise closing 1/2" -                                 | 1.00          | 14            |
| 17   | 90 14 10 055 00 90 | O-Ring EPDM 70 15,0 x 2,0 mm -                                     | 4.00          | 14            |
| 23   | 09 21 02 143-08    | Cover Ø 24,7 x 20 mm - Platinum                                    | 1.00          | 54            |
| 18   | 09 28 10 028-08    | Rosette Ø 38 x 20 mm - Platinum                                    | 1.00          | 54            |
| 5  | 90 14 10 032 00 90 | O-Ring 18,1 x 1,6 mm -   | 1.00          | 14            |
| 22   | 09 23 01 131 90    | Back-flow preventer without limitation Ø 10 x 10,5 mm -            | 1.00          | 14            |
| 29   | 09 30 11 130-07    | Flange for floor connection Ø 84 x 25 mm - untreated nickel-plated | 2.00          | 40            |
| 10   | 90 14 20 002 00 90 | Washer 18,5 x 12,0 x 2,0 mm -                                      | 1.00          | 14            |
| 27   | 09 24 03 094-07    | Connection Ø 28 x 34 mm - untreated nickel-plated                  | 2.00          | 40            |