

35 425 970 90



- lead-free, dezincification resistant
- 2x back flow preventer
- 2x female thread 1/2" connections
- 3x outlet G 1/2"
- dust cover
- anti-water packing
- sound and thermal insulation
- suitable for xGRID (when using installation track + 12 mm recess depth)
- gauge 70 mm
- WRAS

Recommended miscellaneous

Required miscellaneous



**xGRID Attachment set for
integrating in the dry wall
construction -**

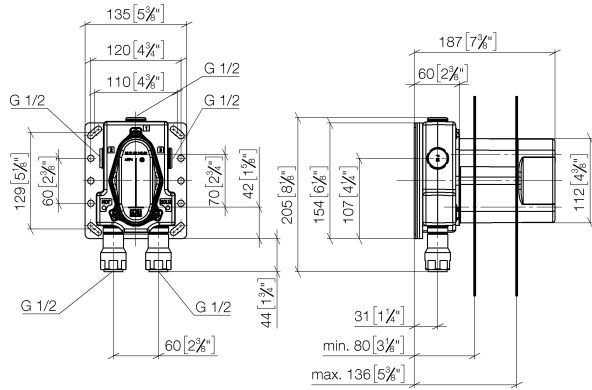
12 340 970 90



xGRID Installation track 555 mm - 12 360 970 90

35 425 970 90

mm [inches]



Codes & Standards

EN 1111

EN 1717

Scottish Water
Byelaws

UK Water Supply
Regulations

VA-Zeichen

Certificates and sustainability

Belgaqua_21-031-2 ETA_20

DVGW_DW-
6512DN0

WRAS_250402

EPD-DOR-20230287
-IBA1-EN
Environmental.prod
uct-declarat

Belgaqua_25-343-2

35 425 970 90

