

36 628 705 Product version up to 10/14/2020



- with CASCADE structure
- rosette 60 x 60 mm
- without marking
- head part with cut-to-length spindle and sleeve
- WRAS

Required miscellaneous



Wall valve 3/4" -

35 608 970 90

- min. recess depth 105 mm
- max. recess depth 150 mm

36 628 705 Product version up to 10/14/2020

mm [inches]

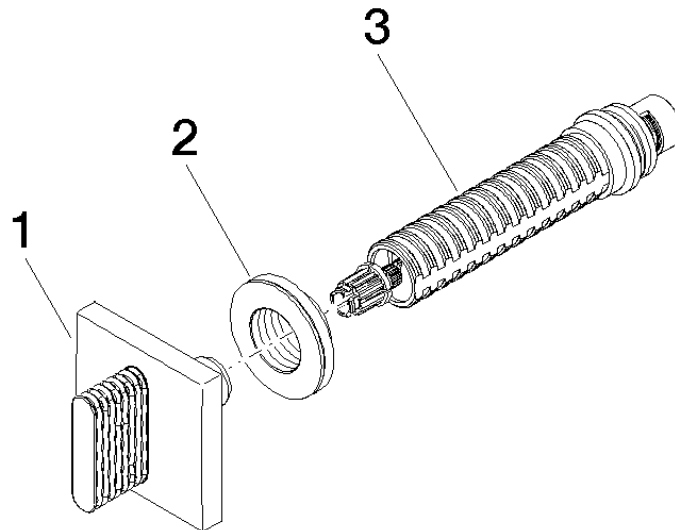


Codes & Standards

ASME A112.18.1	cUPC	Scottish Water Byelaws	UK Water Supply Regulations
----------------	------	---------------------------	--------------------------------

Certificates and sustainability

WRAS_2010	IAPMO_4976 (EPD-DOR-20230287 -IBA1-EN Environmental.prod uct-declarat
-----------	--------------	--



Spare parts list

No.	Item Number	Name	Quantity used	Delivery time
3	90 90 03 127 00 90	Head part clockwise closing 3/4" -	1.00	14
1	90 20 70 053 01-06	Handle for concealed wall mounting Neutral oval step 60 x 60 x 40 mm - Brushed Platinum	1.00	20
2	09 21 02 108 90	Sleeve Ø 43,1 x 13 mm -	1.00	-
Spare part can no longer be ordered, please order the replacement item				
	9021021080090	Wall disc complete -		