

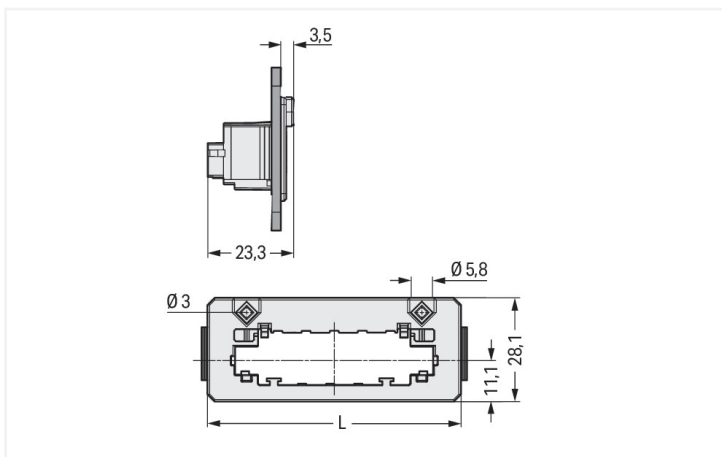
# Data Sheet | Item Number: 831-305

Snap-in frame; for male connectors; 1 part; Pin spacing 7.62 mm; 5-pole; light gray

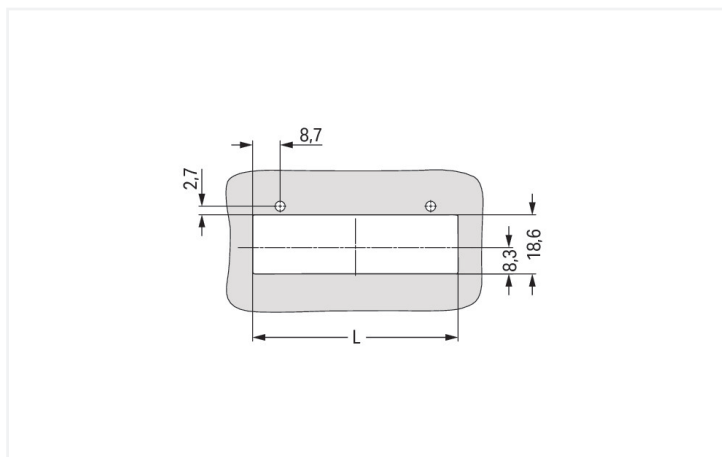
<https://www.wago.com/831-305>



Color: ■ light gray



Dimensions in mm  
 $L = (\text{pole no.} \times 7.62 \text{ mm}) + 30.6 \text{ mm}$



Dimensions in mm  
Panel cutout for snap-in frame  $L = (\text{pole no.} \times 7.62 \text{ mm}) + 26.8 \text{ mm}$

- Snap-in frames for through-panel MCS MAXI connectors
- Fast and easy installation – without tools
- Compatible with MCS MAXI male and female connectors
- For panel thickness ranging from 0.5 to 2.5 mm
- Optional screw mounting

## Connection Data

### Connection 1

Pole number	5
-------------	---

### Physical data

Width	68.7 mm / 2.705 inches
Height	28.1 mm / 1.106 inches
Depth	23.3 mm / 0.917 inches

### Mechanical data

Housing sheet thickness	0.5 ... 2.5 mm / 0.02 ... 0.098 inches
Mounting type	Snap-in flange
Mounting type	Feed-through mounting
Suitable for through-panel applications	Yes

### Plug-in connection

Mismatching protection	Yes
------------------------	-----

### Material data

Note (material data)	<a href="#">Information on material specifications can be found here</a>
Color	light gray
Material group	I
Insulation material (main housing)	Polyamide (PA66)
Flammability class per UL94	V0
Fire load	0.218 MJ
Weight	7.2 g

### Commercial data

PU (SPU)	12 pcs
Packaging type	Box
Country of origin	DE
GTIN	4055143564915
Customs tariff number	39269097900

### Product Classification

UNSPSC	39121421
ETIM 9.0	EC002848
ETIM 10.0	EC002848
ECCN	NO US CLASSIFICATION

### Environmental Product Compliance

RoHS Compliance Status	Compliant, No Exemption
------------------------	-------------------------

## Downloads

### Environmental Product Compliance

#### Compliance Search

Environmental Product Compliance 831-305



## Documentation

### Additional Information

Technical Section

03.04.2019

pdf

2027.26 KB



## CAD/CAE-Data

### CAD data

2D/3D Models 831-305



### CAE data

ZUKEN Portal 831-305



## 1 Compatible Products

### 1.1 Optional Accessories

#### 1.1.1 Cover

##### 1.1.1.1 Snap-in frame

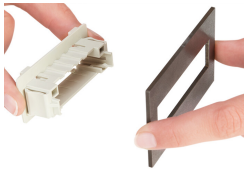


#### Item No.: 831-321

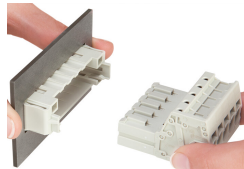
Lockout pin; for male connectors; 2 parts; light gray

## Installation Notes

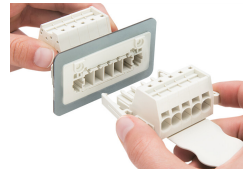
### Installation



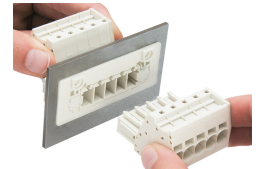
Insert the snap-in frame into the cutout.



Insert the male connector into the snap-in frame.



Inserting a female connector equipped with lateral locking levers.



Inserting a female connector without lateral locking levers – lockout pins are inserted on both sides of the snap-in frame.