

22 500 360 Product version from 7/31/2009 to 9/7/2021



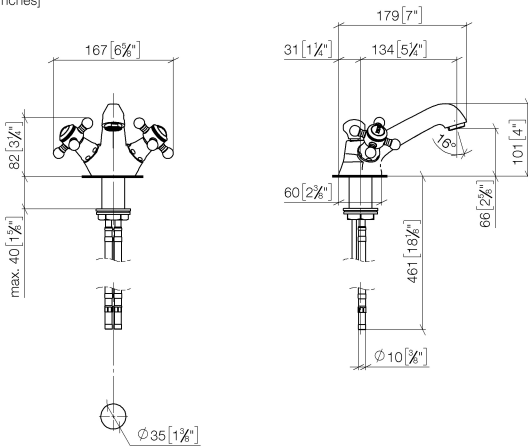
- 130mm projection
- fixed spout
- circular, air-enriched flow
- height of mixer 100 mm
- height up to aerator 65 mm
- hole diameter 35 mm
- 2x screw-in M 10 x 1 pressure hose, leak-tested
- max. flow 7 l/min
- lead-free
- This product can help a building meet the requirements of Green Building Rating Systems, e.g. LEED®, BREEAM®, DGNB
- WRAS

Only suitable for basins with an overflow.

	Chrome	22 500 360-00
	Brushed Platinum	22 500 360-06
	Platinum	22 500 360-08
	Durabrand (23kt Gold)	22 500 360-09
	Brushed Durabrand (23kt Gold)	22 500 360-28
	Brushed Gold (PVD)	22 500 360-37
	Brushed Dark Brass (PVD)	22 500 360-39
	Brushed Bronze (PVD)	22 500 360-42
	Brushed Dark Platinum	22 500 360-99

22 500 360 Product version from 7/31/2009 to 9/7/2021

mm [inches]



**Flow rate chart**



**Codes & Standards**

DIN 4109

EN 200

ISO 3822

Scottish Water  
Byelaws

UK Water Supply  
Regulations

Ü-Zeichen

VA-Zeichen



# MADISON Single-hole basin mixer with pop-up waste - Chrome

MADISON

22 500 360 Product version from 7/31/2009 to 9/7/2021

## Certificates and sustainability

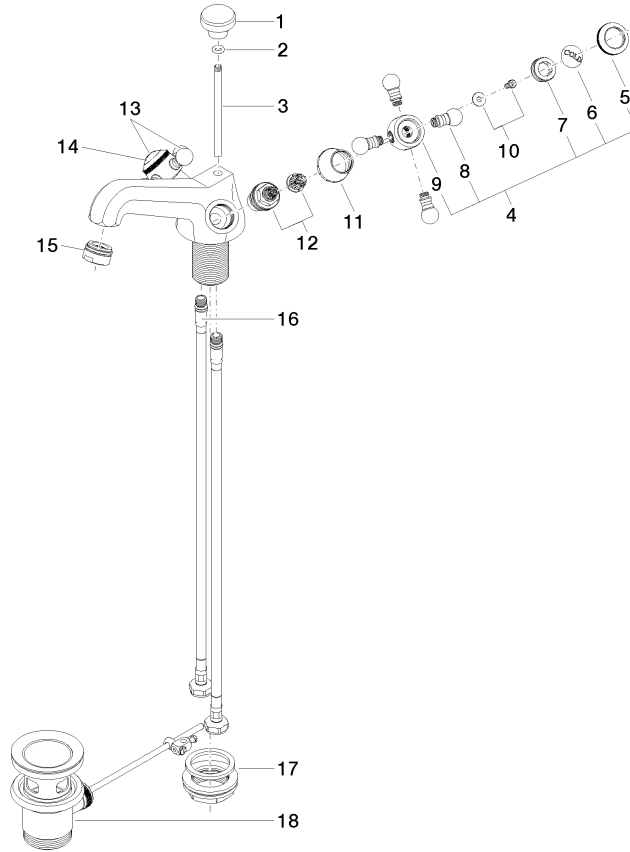
ETA\_17

LGA\_8

WRAS\_2107

EPD-DOR-20230287  
-IBA1-EN  
Environmental.prod  
uct-declarat

22 500 360 Product version from 7/31/2009 to 9/7/2021



### Spare parts list

No.	Item Number	Name	Quantity used	Delivery time
14	09 26 01 011 90	Cover Porcelain insert plate HOT -	1.00	14
4	04 20 36 002 06-00	Handle Madison Cold - Chrome	1.00	20
16	04 30 04 104 00 90	High pressure hose M10x1 x 3/8" x 420 mm -	2.00	14
15	90 23 01 118 01-00	Aerator M24x1-AG 7,0 l/min. - Chrome	1.00	20
11	09 21 02 055-00	Cover 24 x 29 x 30 mm - Chrome	2.00	20
7	09 20 83 006 90	Handle Ø 21 x 7,5 mm -	2.00	14
17	04 23 10 009 01 90	Mounting with seals M32 x 1,5 -	1.00	14
9	09 20 36 002-00	Handle Ø 29,5 x 30 mm - Chrome	2.00	20
6	09 26 01 010 90	Cover Porcelain insert plate COLD -	1.00	14
13	04 20 36 002 07-00	Handle Hot - Chrome	1.00	20
2	90 14 10 062 00 90	O-Ring EPDM 70 6,0 x 2,5 mm -	1.00	14
18	90 11 01 001 00-00	Basin Waste - Chrome	1.00	20
1	09 20 36 030-00	Pull button Ø 30 x 27 mm - Chrome	1.00	20
3	09 31 09 004-00	Pull rod for pop-up waste Ø 6 x 425 mm - Chrome	1.00	20
5	09 20 36 005-00	Handle Ø 28 x 7 mm - Chrome	2.00	20
12	90 90 03 151 00 90	Head part clockwise closing 1/2" -	2.00	14
10	04 30 30 029 00 90	Mounting theft-proof -	2.00	14
8	09 20 36 004-00	Handle 15 x 15 x 28 mm - Chrome	8.00	20