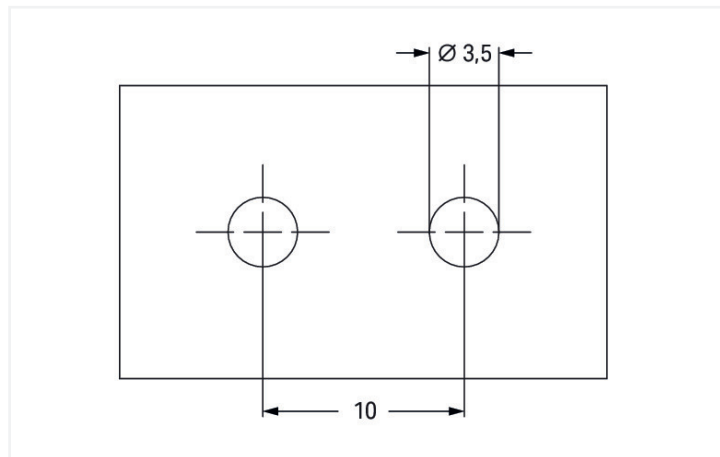


Data Sheet | Item Number: 294-370

Strain relief; for 294 Series; with snap-in mounting feet; white

<https://www.wago.com/294-370>



Color: ■ white

Material data

Note (material data)	Information on material specifications can be found here
Color	white
Material group	IIIa
Insulation material (main housing)	Polycarbonate (PC)
Flammability class per UL94	V0
Fire load	0.06 MJ
Weight	1.5 g

Commercial data

PU (SPU)	500 pcs
Packaging type	Box
Country of origin	DE
GTIN	4055143469081
Customs tariff number	39269097900

Product Classification

UNSPSC	39121702
eCl@ss 10.0	27-14-11-92
eCl@ss 9.0	27-14-11-92
ETIM 9.0	EC002848
ETIM 10.0	EC002848
ECCN	NO US CLASSIFICATION

Environmental Product Compliance

RoHS Compliance Status	Compliant, No Exemption
------------------------	-------------------------

Downloads

Environmental Product Compliance

Compliance Search			
Environmental Product Compliance 294-370			↓

Documentation

Additional Information			
Technical Section	03.04.2019	pdf 2027.26 KB	↓

Bid Text			
294-370	19.02.2019	xml 2.64 KB	↓
294-370	04.01.2018	doc 22.50 KB	↓

CAD/CAE-Data

CAD data	
2D/3D Models 294-370	↓

CAE data	
ZUKEN Portal 294-370	↓