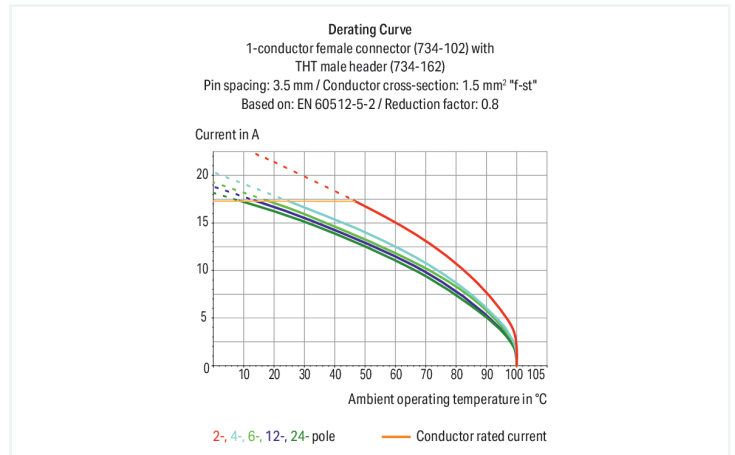


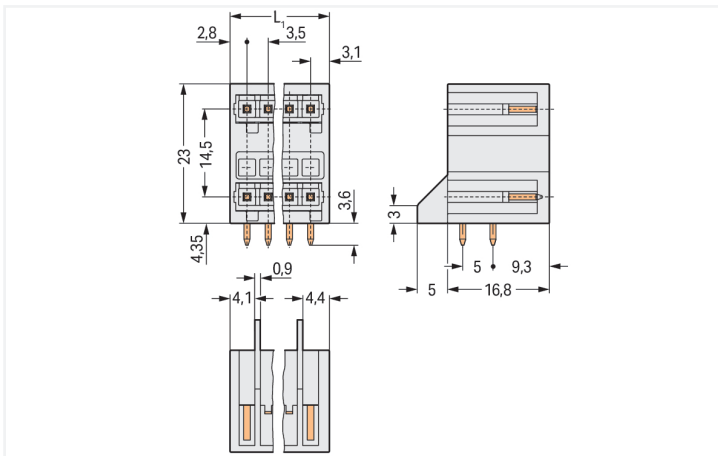
## Data Sheet | Item Number: 734-410/001-000

THT double-deck male header; 1.0 x 1.0 mm solder pin; angled; 100% protected against mismatching; Pin spacing 3.5 mm; 20-pole; light gray

<https://www.wago.com/734-410/001-000>



Color: ■ light gray



Dimensions in mm

$L1 = (\text{pole no.}/2 - 1) \times \text{pin spacing} + 5.9 \text{ mm}$

Male connector, 734 Series, light gray

This male connector (item number 734-410/001-000) is designed for seamless electrical installations. Dimensions: (37.4 x 26.6 x 21.8) mm (width x height x depth).

The contact surface is coated with tin. The pcb connector is designed for THT soldering.

## Notes

## Safety Information

The MCS – MULTI CONNECTION SYSTEM includes connectors without breaking capacity in accordance with DIN EN 61984. When used as intended, these connectors must not be connected/disconnected when live or under load. When used as intended, these connectors must not be connected/disconnected when live or under load. The circuit design should ensure header pins, which can be touched, are not live when unmated.

## Variants:

Other pole numbers  
Gold-plated or partially gold-plated contact surfaces  
Other versions (or variants) can be requested from WAGO Sales or configured at <https://configurator.wago.com/>.

## Electrical data

| Ratings per                     |  | IEC/EN 60664-1 |        |        | Approvals per |       | UL 1059 |       |  |
|---------------------------------|--|----------------|--------|--------|---------------|-------|---------|-------|--|
| Overvoltage category            |  | III            | III    | II     | Use group     | B     | C       | D     |  |
| Pollution degree                |  | 3              | 2      | 2      | Rated voltage | 300 V | -       | 300 V |  |
| Nominal voltage                 |  | 160 V          | 160 V  | 320 V  | Rated current | 10 A  | -       | 10 A  |  |
| Rated impulse withstand voltage |  | 2.5 kV         | 2.5 kV | 2.5 kV |               |       |         |       |  |
| Rated current                   |  | 10 A           | 10 A   | 10 A   |               |       |         |       |  |

| Approvals per |  | CSA   |   |       |
|---------------|--|-------|---|-------|
| Use group     |  | B     | C | D     |
| Rated voltage |  | 300 V | - | 300 V |
| Rated current |  | 10 A  | - | 10 A  |

## Connection Data

|                            |    | Connection 1 |    |
|----------------------------|----|--------------|----|
| Total number of potentials | 20 | Pole number  | 20 |
| Number of connection types | 1  |              |    |
| Number of levels           | 2  |              |    |

## Physical data

|                                      |                        |
|--------------------------------------|------------------------|
| Pin spacing                          | 3.5 mm / 0.138 inches  |
| Width                                | 37.4 mm / 1.472 inches |
| Height                               | 26.6 mm / 1.047 inches |
| Height from the surface              | 23 mm / 0.906 inches   |
| Depth                                | 21.8 mm / 0.858 inches |
| Solder pin length                    | 3.6 mm                 |
| Solder pin dimensions                | 1 x 1 mm               |
| Drilled hole diameter with tolerance | 1.4 (+0.1) mm          |

## Mechanical data

|                          |     |
|--------------------------|-----|
| Variable coding          | Yes |
| Anti-rotation protection | Yes |

### Plug-in connection

|                                    |                     |
|------------------------------------|---------------------|
| Contact type (pluggable connector) | Male connector/plug |
| Connector (connection type)        | for PCB             |
| Mismating protection               | Yes                 |
| Mating direction to the PCB        | 0°                  |

### PCB contact

|                                     |  |
|-------------------------------------|--|
| PCB contact                         | THT                                      |
| Solder pin arrangement              | over the entire male connector (in-line) |
| Number of solder pins per potential | 1  |

### Material data

|                                    |  |
|------------------------------------|--|
| Note (material data)               | <a href="#">Information on material specifications can be found here</a> |
| Color                              | light gray   |
| Material group                     | I  |
| Insulation material (main housing) | Polyamide (PA66)   |
| Flammability class per UL94        | V0   |
| Contact material                   | Electrolytic copper (E <sub>Cu</sub> )                                   |
| Contact Plating                    | Tin  |
| Fire load                          | 0.188 MJ   |
| Weight                             | 10.6 g   |

### Environmental requirements

|                         |                 |
|-------------------------|-----------------|
| Limit temperature range | -60 ... +100 °C |
| Processing temperature  | -35 ... +60 °C  |

### Commercial data

|                       |                        |
|-----------------------|------------------------|
| Product Group         | 3 (Multi Conn. System) |
| PU (SPU)              | 50 pcs                 |
| Packaging type        | Box                    |
| Country of origin     | DE                     |
| GTIN                  | 4044918873031          |
| Customs tariff number | 85366930000            |

### Product Classification

|             |                      |
|-------------|----------------------|
| UNSPSC      | 39121409             |
| eCl@ss 10.0 | 27-44-04-02          |
| eCl@ss 9.0  | 27-44-04-02          |
| ETIM 9.0    | EC002637             |
| ETIM 10.0   | EC002637             |
| ECCN        | NO US CLASSIFICATION |

**Environmental Product Compliance**

|                        |                         |
|------------------------|-------------------------|
| RoHS Compliance Status | Compliant, No Exemption |
|------------------------|-------------------------|

**Approvals / Certificates**

**General approvals**



| Approval                             | Standard | Certificate Name |
|--------------------------------------|----------|------------------|
| CCA<br>DEKRA Certification B.V.      | EN 61984 | 2169534.02       |
| CCA<br>DEKRA Certification B.V.      | EN 61984 | nl-54190         |
| CSA<br>DEKRA Certification B.V.      | C22.2    | 1465035          |
| UL<br>Underwriters Laboratories Inc. | UL 1977  | E 45171          |

**Approvals for marine applications**



| Approval                           | Standard | Certificate Name  |
|------------------------------------|----------|-------------------|
| ABS<br>American Bureau of Shipping | -        | 24-0095975-PDA    |
| DNV<br>DNV GL SE                   | -        | TAE000016Z        |
| PRS<br>Polski Rejestr Statków      | -        | TE/1095/880590/23 |

**Downloads**

**Environmental Product Compliance**

| Compliance Search                                   |   |
|---|---|
| Environmental Product Compliance<br>734-410/001-000 | ↓ |

**Documentation**

| Additional Information |            |                   |   |
|------------------------|------------|-------------------|---|
| Technical Section      | 03.04.2019 | pdf<br>2027.26 KB | ↓ |

**CAD/CAE-Data**

| CAD data                        |   |
|---------------------------------|---|
| 2D/3D Models<br>734-410/001-000 | ↓ |

| CAE data                             |   |
|--------------------------------------|---|
| EPLAN Data Portal<br>734-410/001-000 | ↓ |
| ZUKEN Portal<br>734-410/001-000      | ↓ |

**PCB Design**

|  |   |
|--|---|
| Symbol and Footprint<br>via SamacSys<br>734-410/001-000        | ↓ |
| Symbol and Footprint<br>via Ultra Librarian<br>734-410/001-000 | ↓ |

## 1 Compatible Products

### 1.1 System counterpart

#### 1.1.1 Female connector/socket



**Item No.: 734-110**

1-conductor female connector; CAGE CLAMP®; 1.5 mm<sup>2</sup>; Pin spacing 3.5 mm; 10-pole; 100% protected against mismatching; light gray

## 1.2 Optional Accessories

### 1.2.1 Coding

#### 1.2.1.1 Coding

**Item No.: 734-400**

Coding key; to be snapped above bottom level; light gray

**Item No.: 734-159**

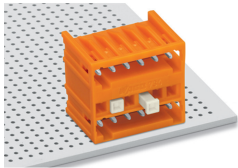
Coding key; to be snapped above top level; black

**Item No.: 734-130**

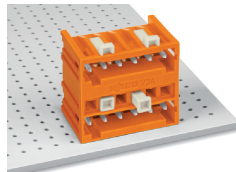
Coding key; to be snapped above top level; white

## Installation Notes

### Coding



Coding a THT double-deck male header – lower level.



Coding a THT double-deck male header.