

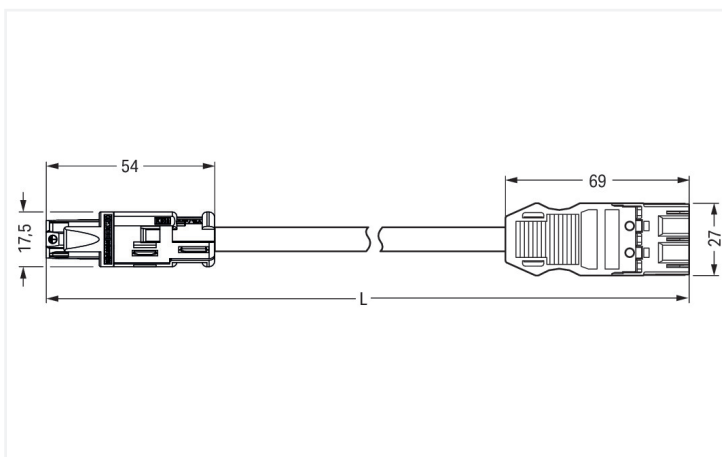
Data Sheet | Item Number: 774-9973/1506-305

pre-assembled adapter cable; Eca; Socket/plug MIDI; 3-pole; Cod. S; H05VV-F 3 x 1.5 mm²; 3 m; 1,50 mm²; brown

<https://www.wago.com/774-9973/1506-305>



Color: ■ brown



Dimensions in mm

Cable assembly *WINSTA*® RD with protection type IP20

The *WINSTA*® RD cable assembly 3-pole supports rapid, correct installation. Our pluggable installation connectors with spring pressure connection technology function entirely without screw connections. They allow resource-efficient, error-free installation in a large number of applications. The color coding and mechanical coding of the pluggable installation connector ensure error-free installation of the individual components – including protec-

tion against mismatching. The pluggable installation connector is protected against ingress by solid objects in accordance with protection type IP20 (When mated: IP2xC (These compact connectors are not designed for use in open, easily accessible areas!)). WINSTA® RD: Solutions from this product line are suitable for drill holes and conduits with diameters up to 20 mm. Building safety must be ensured at all times, even after the electrical installation stage. The required safety requirements in connection with EU CPR are met by this product through fire class E.

Fast, error-free assembly thanks to cable assemblies from WAGO

The cable is pre-assembled with a RD socket and a MIDI plug. The WINSTA® Pluggable Connection System is ideally tailored to the very strict requirements of building installation. It makes electrical installation pluggable, and consequently faster, even more reliable, and error-free. Use of this pre-assembled system reduces assembly times and installation errors at the construction site. Choose durability and quality – with strain relief hosting from WAGO makes the electrical installation of electrical components noticeably easier.

- effective protection against mismatching
- products perfectly tailored to your requirements guarantee safe use
- with S coding for use in components such as motors or frequency converters
- exact dimensions
- quick replacement of defective units during ongoing operation

Notes

Note Cables with a different fire class can be found in the eShop.

Electrical data

Ratings per	IEC/EN 60664-1		
Overvoltage category	III	III	II
Pollution degree	3	2	2
Nominal voltage	250 V	-	-
Rated impulse withstand voltage	4 kV	-	-
Rated current	16 A	-	-

General information

Note on contact resistance approx. 1 mΩ of contact resistance
approx. 0.25 mΩ contact transition plug/ socket

Connection Data

Total number of potentials 3

Connection 1

Pole number 3
Wire cross-section 1.5 mm²
Connection type RD socket - MIDI plug

Physical data

Width 27 mm / 1.063 inches
Height 17.5 mm / 0.689 inches
Total length 3 m

Mechanical data

Use Switching function
Coding S
Variable coding No
Marking 1 2 L
Potential marking L 2 1
Mating force of a plug-in connection Approx. 30 ... 70 N (depending on pole number)
Retention force of a plug-in connection when locked: > 80N
Unmating force of a plug-in connection Unlocked: approx. 30 ... 70 N (depending on pole number)
Number of mating cycles 200, without resistive load
Connection type RD socket - MIDI plug
Type of pre-assembled cable Adapter cable
Cable type H05VV-F 3x1.5

Mechanical data

Protection type	IP20; When mated: IP2xC (These compact connectors are not designed for use in open, easily accessible areas!)
-----------------	---

Plug-in connection

Mismating protection	Yes
Note on mismating protection	All <i>WINSTA</i> ® components are 100% protected against mismating when: a.) plugging different numbers of poles b.) plugging while incorrectly rotated c.) plugging while laterally staggered
Locking of plug-in connection	Locking lever

Material data

Note (material data)	Information on material specifications can be found here
Color	brown
Insulation material (main housing)	Polyamide (PA66)
Fire class per EN 50575	E _{ca}
Contact material	Copper or copper alloy; surface-treated
Contact Plating	Tin
Fire load	89.137 MJ
Connector color	brown
Strain relief color	black
Sheathed cable color	black
Printing color of sheathed cable	white
Halogen-free	No
Silicon-free	Yes
Sheath material	PVC
Rubber cable	No
Weight	310.7 g
Copper weight of the raw cable	0.043 kg/m

Environmental requirements

Processing temperature	-5 ... +40 °C
Continuous operating temperature	-35 ... +85 °C
Note on continuous operating temperature	Cable for temperatures ≤ 70 °C (including halogen-free) Insulating parts for temperatures ≤ 105 °C

Commercial data

PU (SPU)	1 pcs
Packaging type	unpacked
Country of origin	DE
GTIN	4050821489474
Customs tariff number	85444290900

Product Classification

UNSPSC	26121629
eCl@ss 10.0	27-44-06-04
eCl@ss 9.0	27-44-06-04
ETIM 9.0	EC002587
ETIM 10.0	EC002587
ECCN	NO US CLASSIFICATION

Environmental Product Compliance

RoHS Compliance Status	Compliant, No Exemption
------------------------	-------------------------

Approvals / Certificates

General approvals **Declarations of conformity and manufacturer's declarations**



Approval	Standard	Certificate Name
CCA DEKRA Certification B.V.	EN 61535	NTR NL-7969
CCA DEKRA Certification B.V.	EN 61984	NTR NL-7848
KEMA/KEUR DEKRA Certification B.V.	EN 61535	71-123229
KEMA/KEUR DEKRA Certification B.V.	EN 61984	71-114944

Approval	Standard	Certificate Name
EU-Declaration of Confor- mity WAGO GmbH & Co. KG	-	-
UK-Declaration of Confor- mity WAGO GmbH & Co. KG	-	-

Downloads

Environmental Product Compliance

Compliance Search

Environmental Product Compliance 774-9973/1506-305	↓
---	---

Documentation

Bid Text

774-9973/1506-305	19.02.2019	xml 2.95 KB	↓
774-9973/1506-305	19.02.2015	doc 24.00 KB	↓

CAD/CAE-Data

CAD data

2D/3D Models
774-9973/1506-305



CAE data

WSCAD Universe
774-9973/1506-305



1 Compatible Products

1.1 Required Accessories

1.1.1 Cover

1.1.1.1 Cover



[Item No.: 770-360](#)

Lockout cap; for plugs; 5-pole; separable; yellow

1.1.2 Locking system

1.1.2.1 Locking system



[Item No.: 770-101](#)

Locking lever; for flying leads; for manual operation; black



[Item No.: 770-121](#)

Locking lever; for flying leads; for manual operation; white



[Item No.: 770-111](#)

Locking lever; for flying leads; for tool operation; black



[Item No.: 770-131](#)

Locking lever; for flying leads; for tool operation; white

1.2 Optional Accessories

1.2.1 Coding

1.2.1.1 Coding



[Item No.: 770-401](#)

Coding pin; for plugs; Plastic; gray