

TARA Two-hole bath mixer for free-standing assembly with hand shower set - Brushed Platinum

TARA

25 943 892 Product version up to 5/27/2021



- 220mm projection
 - pivotable spout 180°
 - Hand shower: COMPACT RAIN, max. flow rate 6.8 l/min (at 3 bar)
 - spout: circular, air-enriched flow
 - hand shower with anti-scale system
 - rotary diverter for bath/shower
 - total height 920 mm
 - stand pipes height 628 mm
 - height up to aerator 765 mm
 - slide-on rosettes Ø 90 mm
 - gauge 150 mm
 - metal shower hose 1250mm with integrated anti-twist protection
 - pivotable shower holder on the right foot
 - max. flow 22 l/min at 3 bar flow pressure
 - WRAS
- Intrinsic protection against back flow.**

Intrinsic protection against back flow.

	Brushed Platinum	25 943 892-06
	Chrome	25 943 892-00
	Platinum	25 943 892-08
	Dark Chrome	25 943 892-19
	Brushed Durabronze (23kt Gold)	25 943 892-28
	Matte Black	25 943 892-33
	Brushed Dark Brass (PVD)	25 943 892-39
	Brushed Bronze (PVD)	25 943 892-42
	Brushed Dark Bronze (PVD)	25 943 892-43
	Brushed Champagne (22kt Gold)	25 943 892-46
	Champagne (22kt Gold)	25 943 892-47
	Brushed Chrome	25 943 892-93
	Brushed Dark Platinum	25 943 892-99

Required miscellaneous

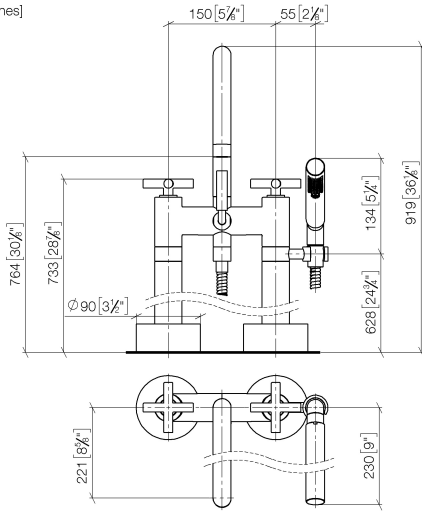


- Concealed floor mounting -** 35 944 970 90
- min. recess depth 80 mm
 - max. recess depth 160 mm

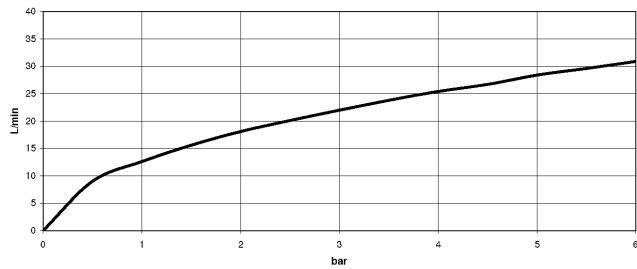
**TARA Two-hole bath mixer for free-standing assembly with hand shower set -
Brushed Platinum**

TARA

25 943 892 Product version up to 5/27/2021
mm [inches]



Flow rate chart



Codes & Standards

ASME A112.18.1	cUPC	DIN 4109	EN 1717
ISO 3822	Scottish Water Byelaws	UK Water Supply Regulations	Ü-Zeichen



TARA Two-hole bath mixer for free-standing assembly with hand shower set -
Brushed Platinum

TARA

25 943 892 Product version up to 5/27/2021

Certificates and sustainability

IAPMO_4976

WRAS_2212

LGA_18

Belgaqua_21-033-2

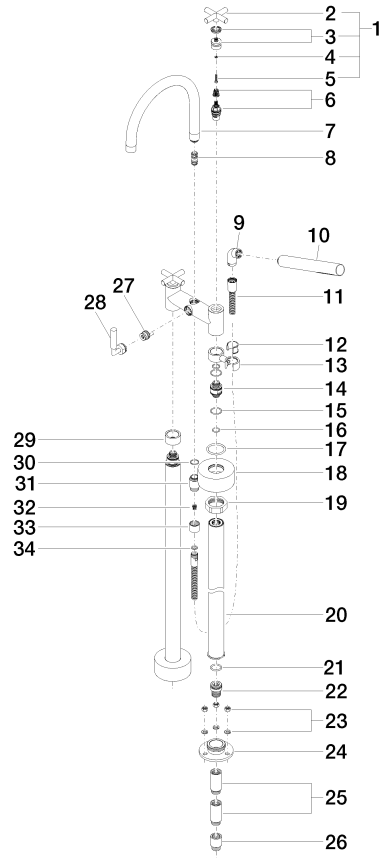
EPD-DOR-20230287
-IBA1-EN
Environmental.prod
uct-declarat

Belgaqua_25-339-2

TARA Two-hole bath mixer for free-standing assembly with hand shower set -
Brushed Platinum

TARA

25 943 892 Product version up to 5/27/2021



TARA Two-hole bath mixer for free-standing assembly with hand shower set - Brushed Platinum

TARA

25 943 892 Product version up to 5/27/2021

Spare parts list

No.	Item Number	Name	Quantity used	Delivery time
8	90 21 10 011 00 90	Diverter TARA incl. eccentric -	1.00	14
29	09 28 10 028-06	Rosette Ø 38 x 20 mm - Brushed Platinum	1.00	20
30	90 14 10 032 00 90	O-Ring 18,1 x 1,6 mm -	1.00	14
16	90 14 10 055 00 90	O-Ring EPDM 70 15,0 x 2,0 mm -	4.00	14
28	90 18 20 025 00-06	Diverter 23 x 85 x 48 mm - Brushed Platinum	1.00	-
Spare part can no longer be ordered, please order the replacement item				
20	04 28 22 009 20-06	Connection 590 mm - Brushed Platinum	2.00	20
13	04 28 10 029 01-06	Holder for spray deck mounting - Brushed Platinum	1.00	20
26	09 24 03 080 90	Extension 1/2" x 25 mm -	2.00	14
1	90 20 89 010 10-06	Handle TARA - Brushed Platinum	2.00	20
23	04 23 10 023 00 90	Mounting for standpipe -	6.00	14
14	09 29 05 021 20 90	Connection Ø 29 x 41,5 mm -	2.00	14
12	90 18 40 035 00 90	Sleeve -	1.00	14
27	90 15 01 005 00 90	Diverter Insert Strainer waste 20 x 30 x 20 mm -	1.00	14
34	90 14 20 026 00 90	Washer 14 x 8 x 2 mm Centellen WS 3820 -	1.00	14
2	09 20 89 010-06	Handle 70 x 70 x 22,5 mm - Brushed Platinum	2.00	-
Spare part can no longer be ordered, please order the replacement item				
	90208901010-06	Handle TARA - Brushed Platinum		
18	09 27 89 025-06	Rosette Ø 85 x Ø 39 x 37,5 mm - Brushed Platinum	2.00	-
Spare part can no longer be ordered, please order the replacement item				
21	09 14 10 081 90	O-Ring EPDM 70 22,0 x 3,0 mm -	2.00	14
11	90 30 02 072 00-06	Metal shower hose 1/2" x 3/8" x 1250 mm - Brushed Stainless Steel / Platinum Matt	1.00	20
22	09 24 03 094-07	Connection Ø 28 x 34 mm - untreated nickel-plated	2.00	40
33	09 21 02 143-06	Cover Ø 24,7 x 20 mm - Brushed Platinum	1.00	20
9	04 24 04 189 00-06	Elbow 20° 55 x 40 x 23 mm - Brushed Platinum	1.00	20
32	09 23 01 131 90	Back-flow preventer without limitation Ø 10 x 10,5 mm -	1.00	14
24	09 30 11 130-07	Flange for floor connection Ø 84 x 25 mm - untreated nickel-plated	2.00	40
5	90 30 30 075 00 90	Mounting Cylinder head screw with hexagon socket Low profile M4 x 20 mm -	2.00	14
3	90 12 12 007 00-06	Handle Socket retainer Ø 29 x 26 mm - Brushed Platinum	2.00	20
25	09 24 03 081 10 90	Extension 1/2" x 50 mm -	4.00	14
4	90 30 11 029 00 90	Connection Spring lock washer Ø 4 -	2.00	14
17	09 14 10 041 90	O-Ring 39,0 x 4,0 mm -	2.00	14
15	09 14 10 112 90	O-Ring 24,0 x 2,0 mm -	4.00	14
7	90 28 22 222 00-06	Spout 220 mm, 27-30 l/min. - Brushed Platinum	1.00	20
6	90 90 03 131 00 90	Head part clockwise closing 1/2" -	2.00	14
31	09 24 03 121-06	Nipple Ø 24,7 x 34,5 mm - Brushed Platinum	1.00	20
19	09 23 30 040-07	Mounting Nut M45 x 1,5 - untreated nickel-plated	2.00	40
10	90 12 11 140 41-06	Bar-type hand shower 6,8 l/min - Brushed Platinum	1.00	-
Spare part can no longer be ordered, please order the replacement item				