



inventum

TECHNICAL FILE

300L HEAT PUMP BOILER - D.W.



ARTICLE NO. / DESCRIPTION	CAPACITY	TYPE	MODEL	INSTALLATION
37030310 / INV-HPB 300 - D.W.	300L	PRESSURIZED	HEAT PUMP BOILER - D.W.	FLOOR STANDING

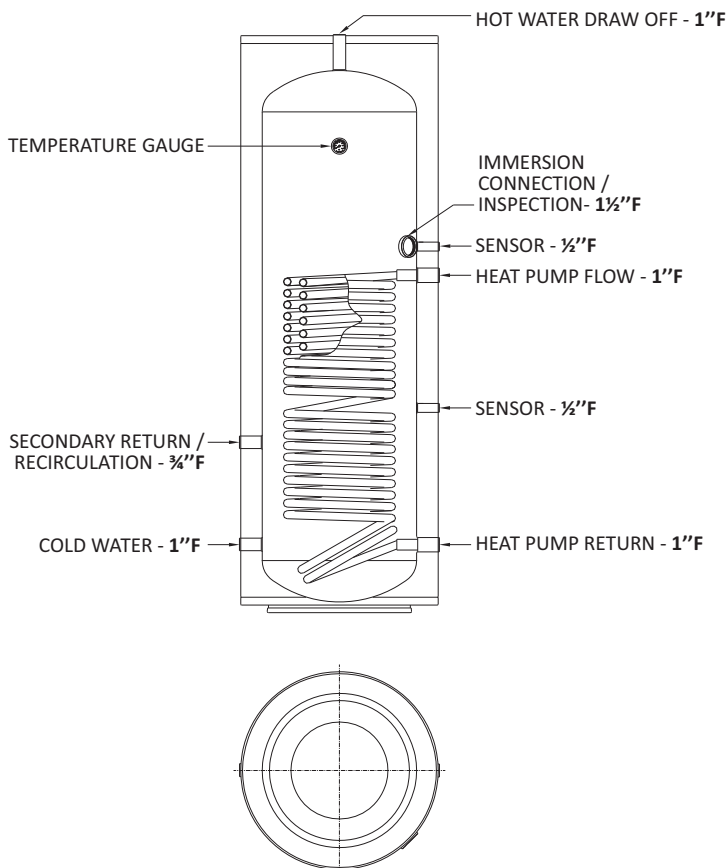
version.3

constructive specifications

capacity	300L
tank material	RVS / stainless steel AISI 444 (EN 1.4521)
thermal insulation	PUR / polyurethane foam 70mm thickness, CFC-Free and HCFC-Free
casing	painted galvanized carbon steel DX51D
temperature gauge	0 - 120°C
coils material and connections	RVS / stainless steel AISI 316L
coil surface area	3,00m ²
coil kW rating output 85/60°C	90kW
max. operating pressure	8bar (0,8MPa)
test pressure	12bar (1,2MPa)
maximum working temperature	90°C
heating element (optional)	immersion connection 1½"
weight (empty / full)	94kg / 379kg
heat losses	68W (EN 12897)
ErP class	B
internal code	68.300.HPI.02B

connections and dimensions

connections



dimensions

