

36 861 782 Product version from 10/1/2022



- 207mm projection
- fixed spout
- rectangular, air-enriched flow
- hole diameter spout 37 mm
- hole diameter single-lever mixer 57 mm
- rosette for spout 80 x 60mm
- rosette for mixer 80 x 80mm
- max. flow 5.7 l/min
- lead-free
- This product can help a building meet the requirements of Green Building Rating Systems, e.g. LEED®, BREEAM®, DGNB
- WRAS

| | | |
|---|-------------------------------|---------------|
|  | Chrome | 36 861 782-00 |
|  | Brushed Platinum | 36 861 782-06 |
|  | Platinum | 36 861 782-08 |
|  | Dark Chrome | 36 861 782-19 |
|  | Brushed Light Gold (PVD) | 36 861 782-27 |
|  | Brushed Durabrass (23kt Gold) | 36 861 782-28 |
|  | Brushed Gold (PVD) | 36 861 782-37 |
|  | Brushed Dark Brass (PVD) | 36 861 782-39 |
|  | Brushed Bronze (PVD) | 36 861 782-42 |
|  | Brushed Dark Bronze (PVD) | 36 861 782-43 |
|  | Brushed Champagne (22kt Gold) | 36 861 782-46 |
|  | Champagne (22kt Gold) | 36 861 782-47 |
|  | Brushed Dark Platinum | 36 861 782-99 |

Required miscellaneous

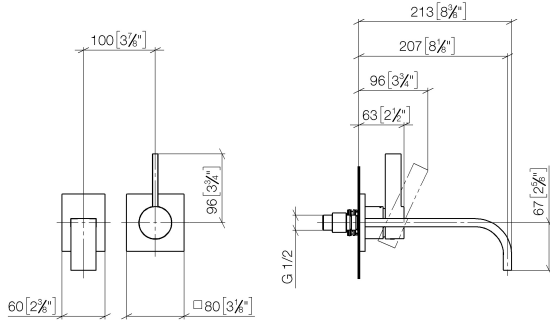


Concealed wall-mounted single-lever mixer - 35 860 970 90

- min. recess depth 75 mm
- max. recess depth 95 mm
- mixer can be placed above, to the left or to the right of the spout.

36 861 782 Product version from 10/1/2022

mm [inches]



Flow rate chart



Codes & Standards

DIN 4109

EN 817

ISO 3822

Scottish Water
Byelaws

UK Water Supply
Regulations

Ü-Zeichen



MEM Wall-mounted single-lever basin mixer without pop-up waste - Chrome

MEM

36 861 782 Product version from 10/1/2022

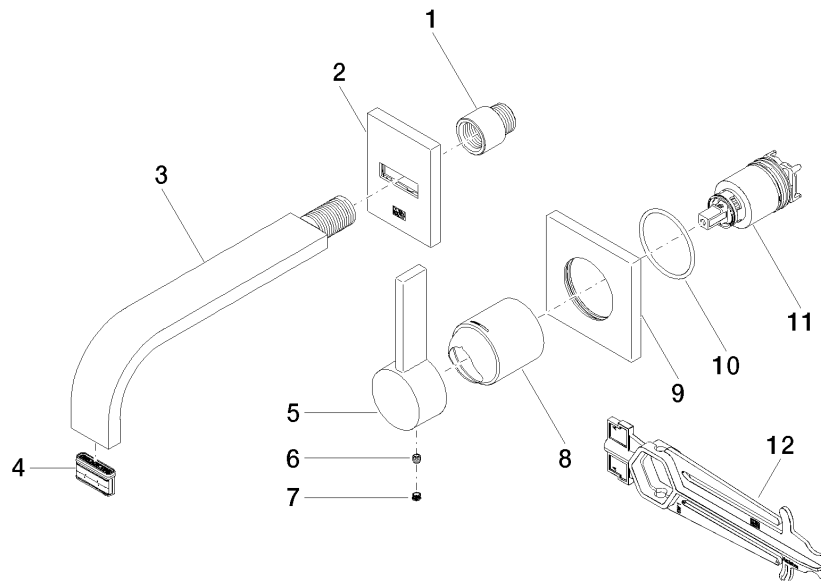
Certificates and sustainability

LGA_29

DVGW_DW-
6512DN0

WRAS_2107

EPD-DOR-20230287
-IBA1-EN
Environmental.prod
uct-declarat



Spare parts list

| No. | Item Number | Name | Quantity used | Delivery time |
|--|-----------------------|--|---------------|---------------|
| | 10 90 14 10 049 00 90 | O-Ring 45,69 x 2,62 mm - | 1.00 | 14 |
| | 9 09 27 78 039-00 | Rosette 80 x 80 x 9 x Ø 45,7 mm - Chrome | 1.00 | 20 |
| | 8 09 11 02 288-00 | Cover Ø 45 x 55 mm - Chrome | 1.00 | 20 |
| | 5 09 20 78 058-00 | Handle Lever 23 x 26 x 119 mm - Chrome | 1.00 | 20 |
| | 4 90 29 03 109 00 90 | Aerator insert 5,7 l/min. - | 1.00 | 14 |
| | 3 04 28 22 149 10-00 | Spout for washstand wall mounting 200 x 35 x 11 mm - Chrome | 1.00 | 20 |
| | 7 90 31 20 109 00 90 | Plug - | 1.00 | 14 |
| | 11 90 15 05 064 01 90 | Single-lever mixer cartridge with adapter plate incl. installation spanner Ø 35 mm x 58,6 mm - | 1.00 | - |
| Spare part can no longer be ordered, please order the replacement item | | | | |
| | 9015050460190 | Single-lever mixer cartridge with cartridge insert , torque wrench Ø 35 mm x 58,6 mm - | | |
| | 1 09 24 03 072 10 90 | Extension 1/2" x 20 mm - | 1.00 | 14 |
| | 6 90 31 11 030 00 90 | Mounting Threaded pin with hexagon socket with cup point M5 x 5 mm - | 1.00 | 14 |
| | 12 90 30 09 064 00 90 | Spanner for cartridge nut - | 1.00 | 14 |
| | 2 90 27 78 038 00-00 | Cover 80 x 60 x 9 mm - Chrome | 1.00 | 20 |