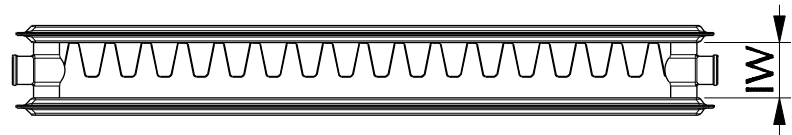


TYPE 21 + 20 SMALL

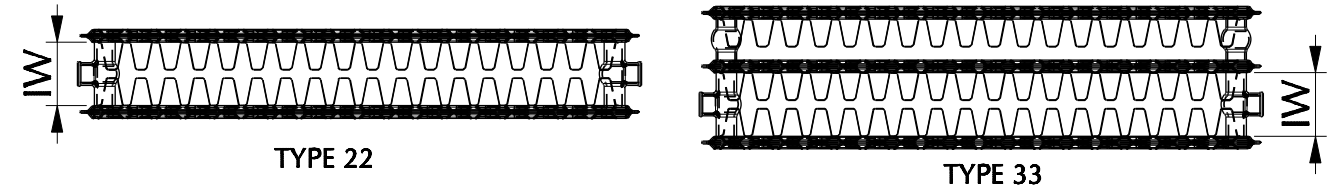
INSIDE WIDTH RADIATOR TYPE 21 + 20S



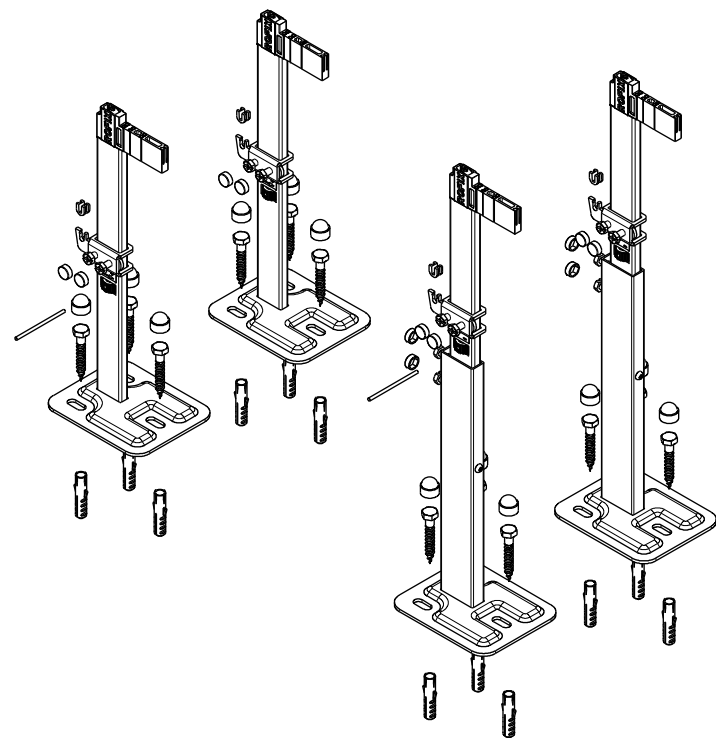
IW = 33-44mm	IW = 41-52mm	IW = 47-58mm	IW = 55-66mm

TYPE 20 wide + 22 + 33

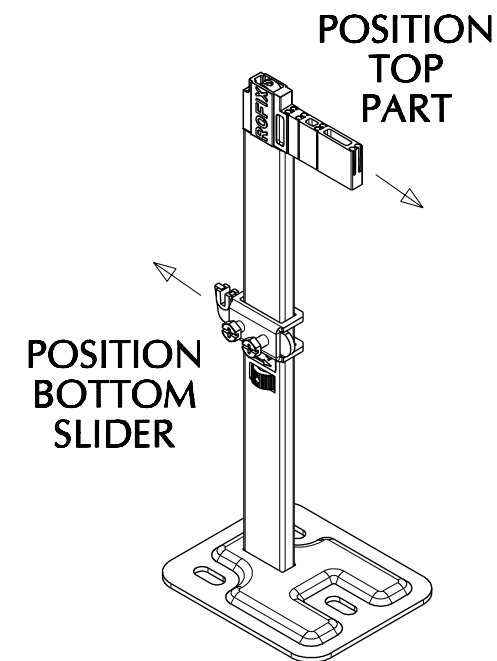
INSIDE WIDTH RADIATOR TYPE 20/22/33



IW = 67-78mm	IW = 73-84mm	IW = 81-92mm



UNISTAND
H300/H400-900
TYPE 20/21/22/33
+ CONCRETE



Doc. art. nr. 10000439
 VERSION 12/05/2014