

34 459 980 Product version from 6/1/2024



Rain shower:

- rain shower 300 x 240mm
- Rain shower material: metal
- overhead shower: rain flow
- max. rainshower flow 20 l/min
- Function from: 12 l/min
- quick clearing
- rain shower with anti-scale system

Hand shower:

Control element:

- rotary diverter with volume control and shut-off function
- slide-on rosettes Ø 70 mm
- metal shower hose 1750mm with integrated anti-twist protection
- slide bar

Technical data:

- shower with fixed riser projection 453mm
- height of fittings up to rain shower (bottom edge) 1009mm
- height of fittings up to top edge of elbow 1150mm
- Pipe diameter 23.5 mm
- gauge 150 mm - 13 mm
- 1/2" connection

Notes:

This article does not include a hand shower!

Intrinsic protection against back flow.


	Chrome	34 459 980-00
	Brushed Platinum	34 459 980-06
	Platinum	34 459 980-08
	Dark Chrome	34 459 980-19
	Brushed Light Gold (PVD)	34 459 980-27
	Brushed Durabronze (23kt Gold)	34 459 980-28
	Matte Black	34 459 980-33
	Brushed Gold (PVD)	34 459 980-37
	Brushed Dark Brass (PVD)	34 459 980-39
	Brushed Bronze (PVD)	34 459 980-42
	Brushed Dark Bronze (PVD)	34 459 980-43
	Brushed Champagne (22kt Gold)	34 459 980-46
	Champagne (22kt Gold)	34 459 980-47
	Brushed Chrome	34 459 980-93
	Brushed Dark Platinum	34 459 980-99

Showerpipe with shower thermostat without hand shower 300 x 240 mm - Chrome

SERIES SPECIFIC

34 459 980 Product version from 6/1/2024


Required miscellaneous

	SERIES-VARIOUS Hand shower FlowReduce - Chrome	28 029 979-00 0010
---	---	-----------------------


Required miscellaneous

	SERIES-VARIOUS Hand shower FlowReduce - Chrome	28 027 979-00 0010
---	---	-----------------------

Required miscellaneous

	Hand shower FlowReduce 100 mm - Chrome	28 018 979-00 0010
---	---	-----------------------


Required miscellaneous

	Hand shower 120 mm - Chrome •5 jets •Ø 120 mm	28 012 979-00
---	--	---------------


Required miscellaneous

	SERIES-VARIOUS Hand shower FlowReduce - Chrome	28 025 979-00 0010
---	---	-----------------------

Required miscellaneous

	SERIES-VARIOUS Hand shower - Chrome	28 029 979-00
---	--	---------------


Required miscellaneous

	Hand shower 100 mm - Chrome	28 018 979-00
---	------------------------------------	---------------


Required miscellaneous

	Hand shower 130 mm - Chrome	28 016 979-00
---	------------------------------------	---------------


Required miscellaneous

	Hand shower FlowReduce 130 mm - Chrome	28 016 979-00 0010
---	---	-----------------------

Required miscellaneous

	Hand shower - Chrome	28 017 979-00
---	-----------------------------	---------------

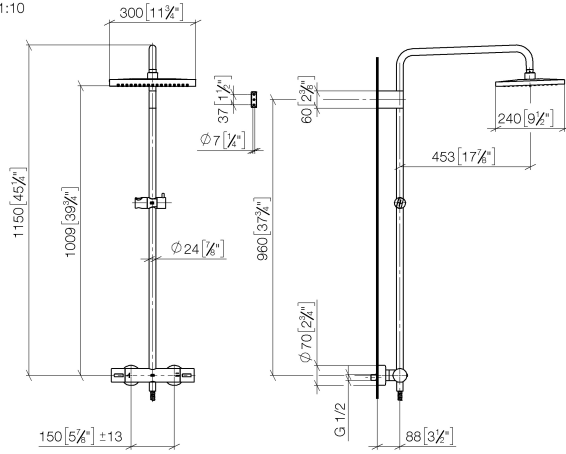
Required miscellaneous

	Hand shower FlowReduce 120 mm - Chrome •5 jets •Ø 120 mm	28 012 979-00 0010
---	---	-----------------------

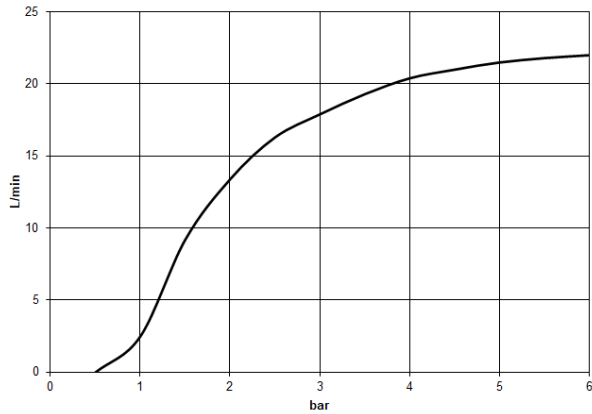
34 459 980 Product version from 6/1/2024

mm [inches]

1:10



Flow rate chart



Codes & Standards

DIN 4109

EN 1717

ISO 3822

Scottish Water
Byelaws

UK Water Supply
Regulations

Ü-Zeichen



Showerpipe with shower thermostat without hand shower 300 x 240 mm -
Chrome

SERIES SPECIFIC

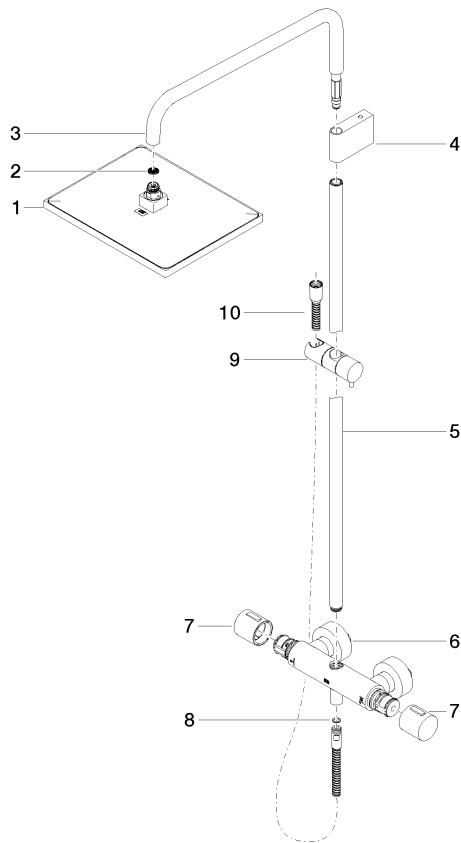
34 459 980 Product version from 6/1/2024

Certificates and sustainability

LGA_38

Belgaqua_21-032-2 WRAS_2204

EPD-DOR-20230287 Belgaqua_25-342-2
-IBA1-EN
Environmental.prod
uct-declarat



Spare parts list

No.	Item Number	Name	Quantity used	Delivery time	
	10	28 322 970-00	Metal shower hose 1/2" x 3/8" x 1750 mm - Chrome	1.00	14
	7	90 17 33 015 00-00	Handle for thermostat Ø 48 x 48 mm - Chrome	2.00	20
	5	90 28 22 349 00-00	Pipe Ø 23,5 x 911,5 mm - Chrome	1.00	20
	9	12 570 970-00	Slide unit - Chrome	1.00	20
	8	90 14 20 026 00 90	Washer 14 x 8 x 2 mm Centellen WS 3820 -	1.00	14
	4	90 17 11 150 00-00	Holder for rain showers 140 x 95 x 90 mm - Chrome	1.00	20
	1	04 12 05 063 00-00	Rainshower angular 300 x 240 mm - Chrome	1.00	20
	6	04 17 01 250 00-00	Connection for thermostat deck mounting with 2-way diverter 281 x 126 x 104 mm - Chrome	1.00	20
	3	90 28 22 348 00-00	Pipe 505 x 110 x 345 mm - Chrome	1.00	20
	2	09 23 01 039 90	Sieve seal Ø 19 x 5,5 mm -	1.00	14