

MEM Bath cascade spout without diverter for deck mounting - Brushed Durabronze (23kt Gold)

MEM

13 630 740 Product version from 4/1/2025



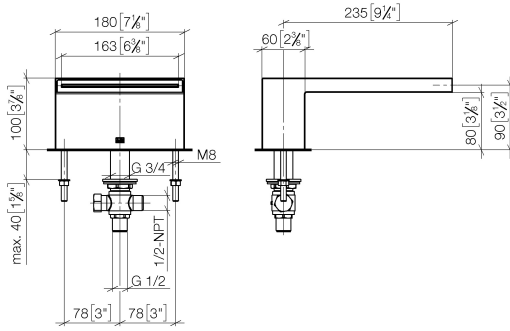
- 235mm projection
- cascade
- height of mixer 100 mm
- height up to aerator 80 mm
- hole diameter 32 mm
- 1/2" connection
- max. flow 26.5 l/min at 3 bar flow pressure
- WRAS

| | | |
|---|--------------------------------|---------------|
|  | Brushed Durabronze (23kt Gold) | 13 630 740-28 |
|  | Chrome | 13 630 740-00 |
|  | Brushed Platinum | 13 630 740-06 |
|  | Platinum | 13 630 740-08 |
|  | Dark Chrome | 13 630 740-19 |
|  | Brushed Light Gold (PVD) | 13 630 740-27 |
|  | Brushed Dark Brass (PVD) | 13 630 740-39 |
|  | Brushed Bronze (PVD) | 13 630 740-42 |
|  | Brushed Dark Bronze (PVD) | 13 630 740-43 |
|  | Brushed Champagne (22kt Gold) | 13 630 740-46 |
|  | Champagne (22kt Gold) | 13 630 740-47 |
|  | Brushed Dark Platinum | 13 630 740-99 |

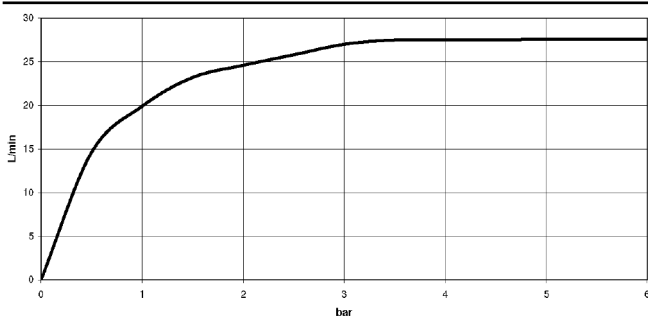
MEM Bath cascade spout without diverter for deck mounting - Brushed Durabronz (23kt Gold)

MEM

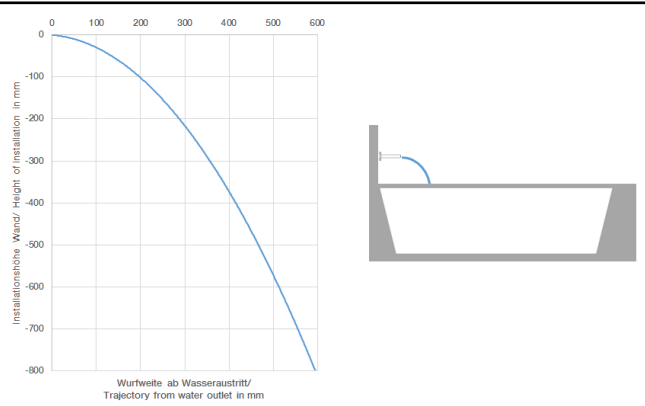
13 630 740 Product version from 4/1/2025
mm [inches]



Flow rate chart



Trajectory diagram



Codes & Standards

| | | | |
|------------------------|-----------------------------|-----------|----------|
| ASME A112.18.1 | cUPC | DIN 4109 | ISO 3822 |
| Scottish Water Byelaws | UK Water Supply Regulations | Ü-Zeichen | |



MEM Bath cascade spout without diverter for deck mounting - Brushed
Durabron (23kt Gold)

MEM

13 630 740 Product version from 4/1/2025

Certificates and sustainability

WRAS_240502

LGA_19

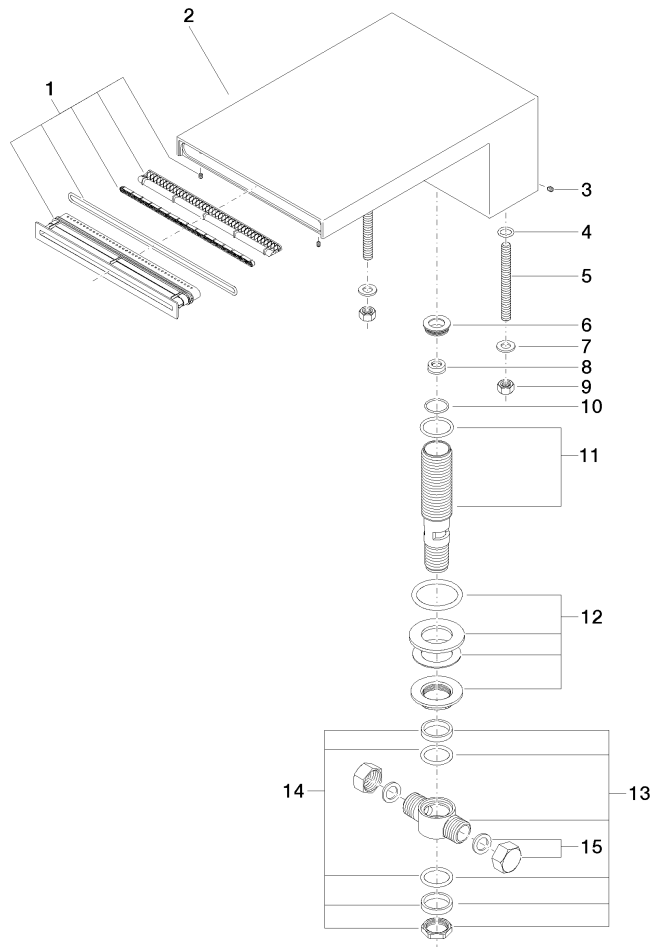
EPD-DOR-20230287 IAPMO_4976 (
-IBA1-EN
Environmental.prod
uct-declarat

MEM Bath cascade spout without diverter for deck mounting - Brushed Durabronz (23kt Gold)

MEM

13 630 740 Product version from 4/1/2025

Parts for other finishes can be found here: [Chrome](#)



Spare parts list

| No. | Item Number | Name | Quantity used | Delivery time |
|-----|--------------------|--|---------------|---------------|
| 14 | 90 23 10 012 00 90 | Mounting Distributor, 1/2" + 3/4" - | 1.00 | 14 |
| 12 | 04 23 10 004 04 90 | Mounting with seals Ø 45 mm, 3/4" - | 1.00 | 14 |
| 6 | 09 24 04 246 20 90 | Nipple Ø 24 x 7 mm - | 1.00 | 14 |
| 2 | 09 11 74 040-28 | Spout 180 x 100 x 265 mm - Brushed Durabronz (23kt Gold) | 1.00 | 40 |
| 3 | 09 31 11 044 90 | Mounting Threaded pin with hexagon socket with cup point M4 x 5 mm - | 1.00 | 14 |
| 8 | 09 23 01 057 90 | Flow limiter red 26,5 l/min. - | 1.00 | 14 |
| 15 | 04 21 02 006 00 92 | Cap with seal Screw connection 1/2" - | 2.00 | 14 |
| 1 | 90 29 03 059 00 90 | Beam shaper 175 x 20 x 35 mm - | 1.00 | 14 |
| 10 | 09 14 10 140 90 | O-Ring 18,0 x 1,5 mm - | 1.00 | 14 |
| 7 | 09 30 11 045 90 | Washer Ø 8,4 - | 2.00 | 14 |
| 11 | 90 30 01 033 00 90 | Connection Ø 28 x 126 mm - | 1.00 | 14 |
| 5 | 09 31 11 011 90 | Mounting Threaded bolt M8 x 80 mm - | 2.00 | 14 |
| 13 | 90 17 11 020 10 90 | Distributor complete - | 1.00 | 14 |
| 9 | 09 23 10 023 90 | Mounting Nut M8 - | 2.00 | 14 |
| 4 | 09 14 10 008 90 | O-Ring 10,0 x 2,0 mm - | 2.00 | 14 |