

WATER TUBE Kneipp wall elbow with hose holder with individual rosettes - Platinum

SERIES SPECIFIC

27 821 979 Product version up to 3/12/2018



- LAMINAR FLOW, max. flow rate 15 l/min (at 3 bar)
- with volume control
- rosette 60 x 60 mm
- holder for Kneipp hose
- 1/2" wall elbow
- without hose
- inherently safe from back flow

Notes:

Product change as of 1.4.2023: max. flow 15 l/min

	Platinum	27 821 979-08
	Chrome	27 821 979-00
	Brushed Platinum	27 821 979-06
	Dark Chrome	27 821 979-19
	Brushed Light Gold (PVD)	27 821 979-27
	Brushed Durabronze (23kt Gold)	27 821 979-28
	Matte Black	27 821 979-33
	Brushed Gold (PVD)	27 821 979-37
	Brushed Dark Brass (PVD)	27 821 979-39
	Brushed Bronze (PVD)	27 821 979-42
	Brushed Dark Bronze (PVD)	27 821 979-43
	Brushed Champagne (22kt Gold)	27 821 979-46
	Champagne (22kt Gold)	27 821 979-47
	Brushed Chrome	27 821 979-93
	Brushed Dark Platinum	27 821 979-99

Recommended miscellaneous



Concealed wall elbow - 35 085 970 90
 • min. recess depth 90 mm
 • max. recess depth 163 mm

Required miscellaneous



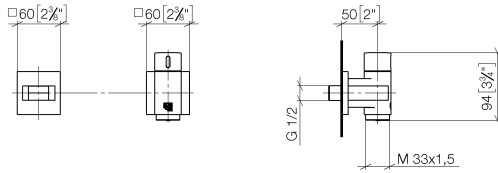
WATER TUBE Kneipp hose white 28 285 979-08
2000 mm - Platinum
 • hose nozzle with sleeve M33
 • with holding ring

Required miscellaneous



WATER TUBE Kneipp hose black 28 286 979-08
2000 mm - Platinum
 • hose nozzle with sleeve M33
 • with holding ring

27 821 979 Product version up to 3/12/2018
mm [inches]



Flow rate chart



Codes & Standards

EN 1717



WATER TUBE Kneipp wall elbow with hose holder with individual rosettes -
Platinum

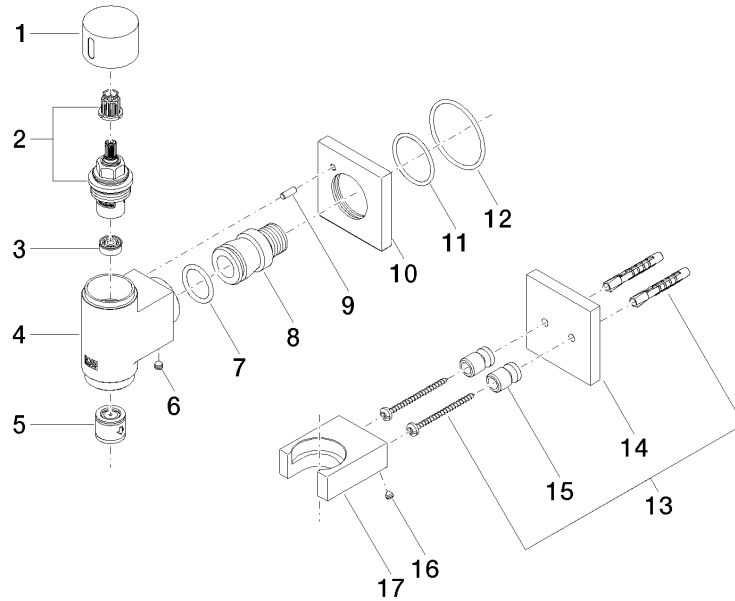
SERIES SPECIFIC

27 821 979 Product version up to 3/12/2018

Certificates and sustainability

Belgaqua_22_280_2

27 821 979 Product version up to 3/12/2018



Spare parts list

No.	Item Number	Name	Quantity used	Delivery time
6	09 17 20 023-08	Holder for Kneipp hose 60 x 45 x 20 mm - Platinum	1.00	54
4	08 17 20 726 90	Holder Wall mounting Ø 13,5 x 20 mm -	2.00	14
1	28 486 979-08	connection	1.00	-
Spare part can no longer be ordered, please order the replacement item				
3	09 27 97 022-08	Rosette for spray holder 60 x 60 x 9 mm - Platinum	1.00	54
5	09 31 11 056 90	Mounting -	2.00	-
Spare part can no longer be ordered, please order the replacement item				
09311103090 Mounting Threaded pin with hexagon socket with cup point M5 x 5 mm -				
2	05 17 20 801 00 90	Attachment set Template + screw + dowel 150 x 150 x 1 mm -	1.00	14