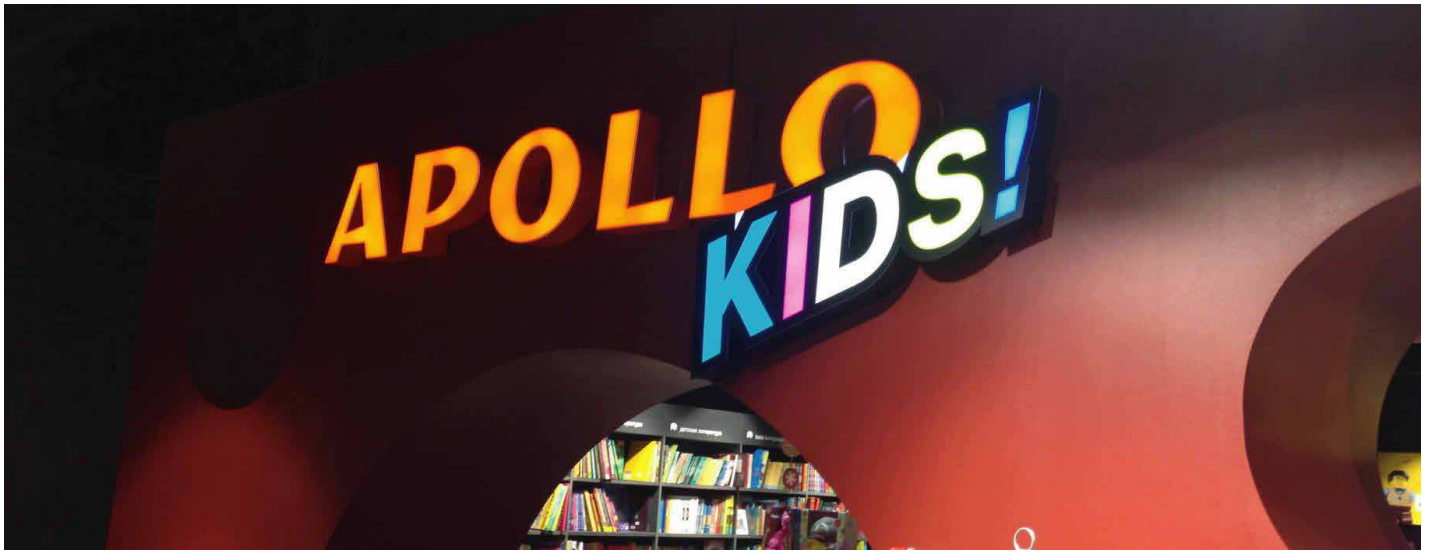


# TRONIX

## Led Module RGBW

3 x SMD5050 led





## Application

- Best for 8-15 cm depth signs at airports, metros, banks, buildings and shopping malls, etc.

## Features

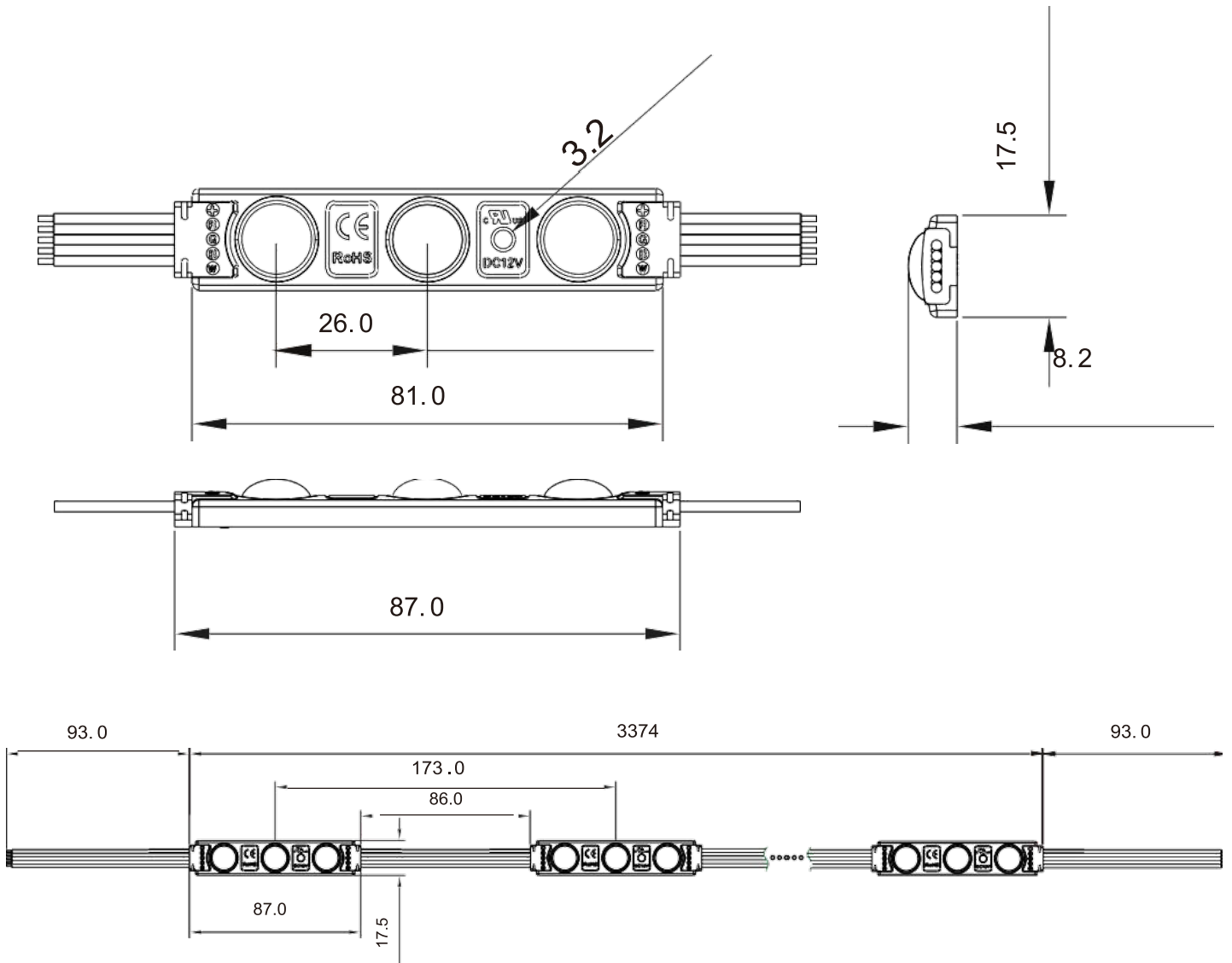
- Sourced by high output SMD5050, good color
- conformity and no spot. 99.99% gold thread, pure copper bracket coated with silver.
- SDCM≤5 each BIN.
- Special lens design, 160°beaming angle with even light.
- Overmoulded: anti-dusting, anti-moisture, waterproof, anti-shock. 20 pcs Max. in a series connection.
- Warranty: 3 years.
- CE, ROHS and UL certified.

## Product specification

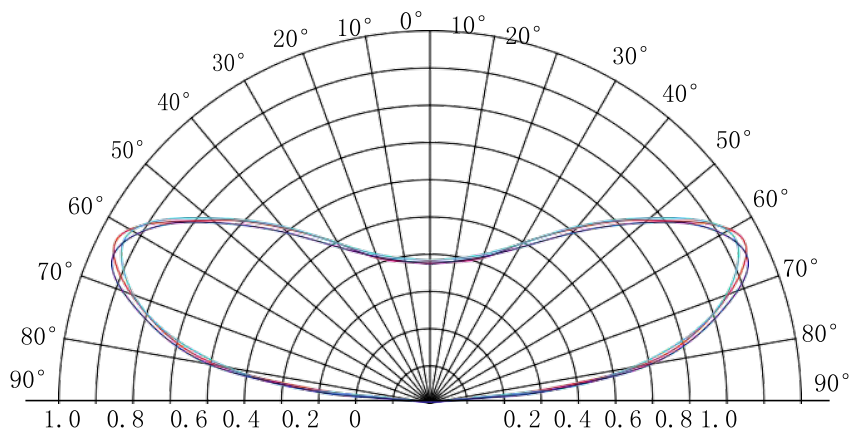
Items	Parameters
Article Number	125-010
CCT (K)	RGBW (W=3000K)
Beaming Angle (°)	160
CRI (Ra)	75
Luminous Flux (lm)	R6 G22 B5 W20
Voltage (V)	DC12
Power (W)	0.96
Driving Method	Constant Voltage
Dimension (mm)	87*17.5*8.2
Weight (g)	13.5
Working Tem. (°C)	-25 ~ +60
Storage Tem. (°C)	-25 ~ +70
Protection Grade	IP65

# Dimensions

Unit:mm



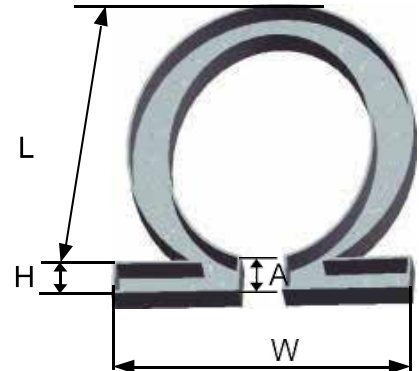
# Beam Angle:



## Reference Scheme

Depth(mm)	Channel Letter Size(mm)	Area(m <sup>2</sup> )	Distance (mm)	Total quantity(pcs)
H=80	670*640*80	0.42	dx=100 dy=50	86
H=100	840*810*100	0.68	dx=120 dy=70	82
H=120	1020*1200*150	0.98	dx=140 dy=70	120
H=150	1250*1200*150	1.50	dx=160 dy=70	133

- The acrylic plate in the case is 3mm thickness, and the light transmittance is 54.4%.
- The illumination above is the minimum data when evenly lighted.
- The above data is for reference only.



## Warning

- Disassembling or modifying the product is forbidden.
- Installation with power on is forbidden.
- Any organic solvent chemical is forbidden.
- Acidic or alkaline adhesive is forbidden when install, neutral glass cement could be used for installation purpose, make it drying in open environment for four hours.
- Isolation and corrosion prevention on all wiring points and wire ends.
- Make sure the power wire is thick enough and ensure the voltage and connections are connected correctly before power on.
- This product should be used in a sign, do not expose it in opening site.
- Installation, maintaining should be done by professional staff.
- 20 pcs in a serial connection maximum.
- The power wire between power supply and module should be less than two meters to keep the same brightness on all parts.
- Initial location with 3M tape, then secure with screws.