

EM223 – ELEQ Intelligent Current Transducer

The ELEQ EM223 is a current transducer for converting an alternating current of up to 400A to a 0-20mA signal. This current transducer does not require an auxiliary supply. This makes the EM223 ideal for applications requiring a simple and reliable method of measuring currents.



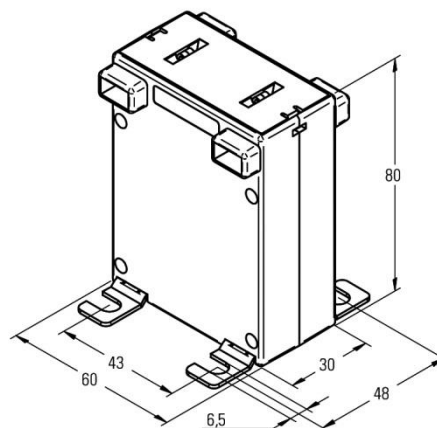
Technical specifications

Primary current:	max. 1250A
Output:	0-20mA
Weight:	± 0,25 kg
Classe (0,2-1,2In):	0,5
Range:	0 - 1,2In
Overload capacity:	60*In (1sec)
Continually:	1,2*In
Frequency range:	45-65Hz
Power consumption:	< 0,5VA
Max. Load (up to 75A):	600 Ohm
Max. Load (from 75A):	750 Ohm
Setting time:	< 1sec
U _{max} with open terminals:	< 24Vdc
I _{max} with 0 Ohm load:	< 40mA
I _{max} with 750 Ohm load:	< 30mA
Impulstest:	5kV 1,2/50µs
Isolation:	4kV/60s (50Hz)

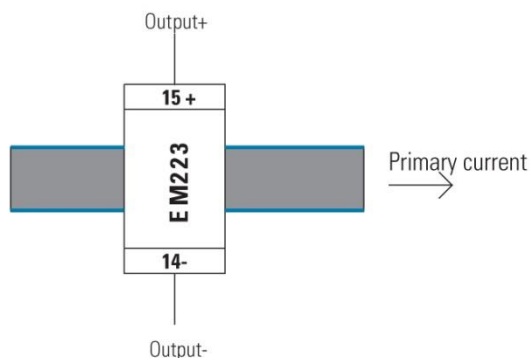
Measuring ranges

Order number	Measuring Current	Housing
6M2303	10A	A
6M2309	25A	A
6M2310	30A	A
6M2350	40A	B
6M2351	50A	B
6M2352	60A	B
6M2353	75A	B
6M2354	80A	B
6M2355	100A	C
6M2358	150A	C
6M2359	160A	C
6M2360	200A	C
6M2361	250A	C
6M2362	300A	C
6M2363	400A	C

Dimensions



Wiring Diagram



Dimensions opening

Type A
no opening

Type B

Type C

