

22 901 979 Product version up to 5/27/2021

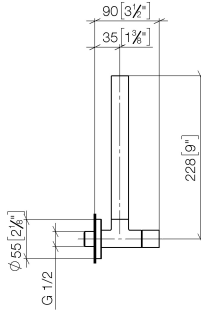


- rosette Ø 55 mm
- hose covering 200mm, for shortening
- WRAS

	Chrome	22 901 979-00
	Brushed Platinum	22 901 979-06
	Platinum	22 901 979-08
	Durabronze (23kt Gold)	22 901 979-09
	Dark Chrome	22 901 979-19
	Light Gold (PVD)	22 901 979-26
	Brushed Light Gold (PVD)	22 901 979-27
	Brushed Durabronze (23kt Gold)	22 901 979-28
	Matte Black	22 901 979-33
	Brushed Gold (PVD)	22 901 979-37
	Brushed Dark Brass (PVD)	22 901 979-39
	Brushed Bronze (PVD)	22 901 979-42
	Brushed Dark Bronze (PVD)	22 901 979-43
	Brushed Champagne (22kt Gold)	22 901 979-46
	Champagne (22kt Gold)	22 901 979-47
	Brushed Chrome	22 901 979-93
	Brushed Dark Platinum	22 901 979-99

22 901 979 Product version up to 5/27/2021

mm [inches]



**Flow rate chart**



**Codes & Standards**

Scottish Water  
Byelaws

UK Water Supply  
Regulations



## Angle valve - Chrome

SERIES SPECIFIC

---

22 901 979 Product version up to 5/27/2021

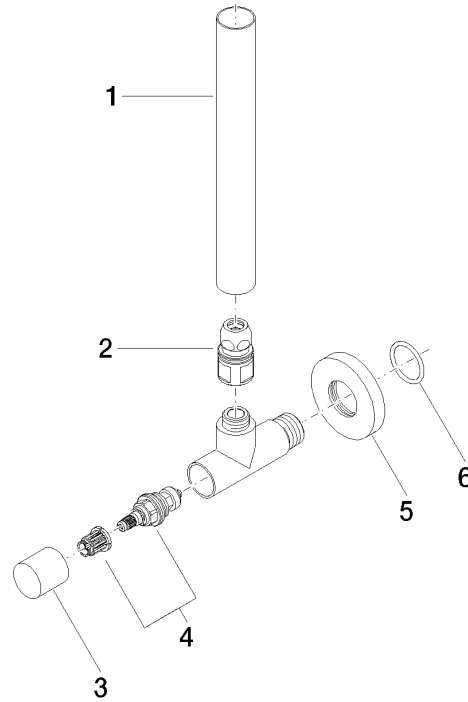
Certificates and sustainability

---

WRAS\_2205

22 901 979 Product version up to 5/27/2021

Parts for other finishes can be found here: Brushed  
Platinum



### Spare parts list

No.	Item Number	Name	Quantity used	Delivery time
2	90 24 03 276 00 90	Conversion kit for angle valve Ø 25 x 38 mm -	1.00	14
5	09 27 22 015-00	Rosette Ø 55 x Ø 24,6 x 9 mm - Chrome	1.00	20
3	09 20 22 001-00	Handle Ø 24 x 25,5 mm - Chrome	1.00	20
6	09 14 10 093 90	O-Ring NBR 70 23,5 x 2,5 mm -	1.00	14
4	90 90 03 006 00 90	Head part Grease chamber 3/8" -	1.00	14
1	09 28 22 020-00	Pipe Ø 24 x 200 mm - Chrome	1.00	20