



inventum

TECHNICAL FILE

50L SHIFT LOAD BOILER AA



ARTICLE NO. / DESCRIPTION	CAPACITY	TYPE	MODEL	INSTALLATION
30003005 / INV - SL 50 - AA LDX	50L	PRESSURIZED	SHIFT LOAD BOILER AA	FLOOR STANDING

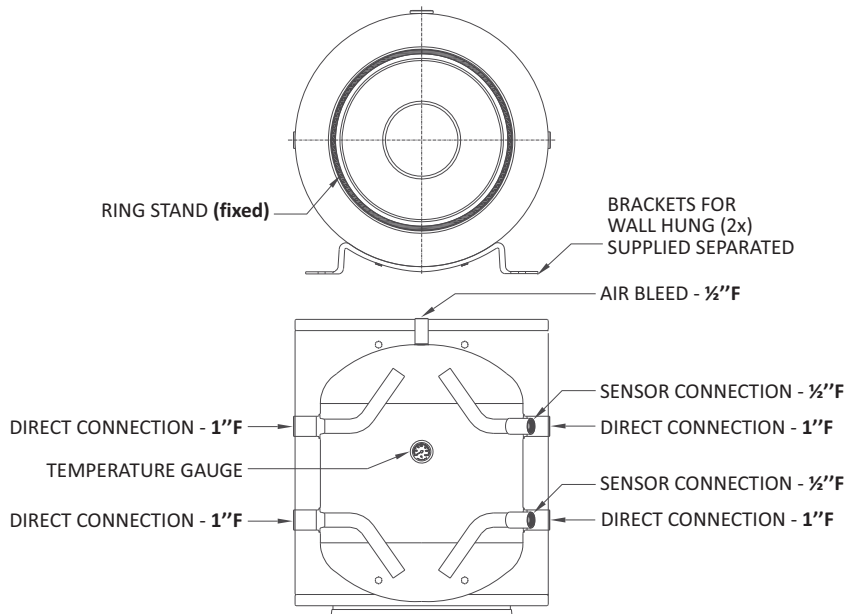
version.2

constructive specifications

capacity	50L
tank material	RVS / stainless steel DUPLEX LDX 2101 (EN 1.4162)
thermal insulation	PUR / polyurethane foam 50mm thickness , CFC-Free and HCFC-Free
casing	painted galvanized carbon steel DX51D
max. operating pressure	6bar (0,6MPa)
test pressure	12bar (1,2MPa)
maximum working temperature	85°C
weight (empty / full)	20kg / 60kg
heat losses	36W (EN 12897)
ErP class	B
internal code	68.050.DI.02

connections and dimensions

connections



dimensions

